

HWH® PARTS MANUAL

SUB TABLE of CONTENTS

Control Units - Electronic

(Control Boxes | Plexi-Glass Enclosure Assemblies | Potted Output Modules - MIOMS/NMOMS)

(Filename: MR15.XLS) (Revised: 18APR17)

[ML11428-15 \(Click to View Entire Section | PDF File | No Links | MR15-MR15Z\)](#)

IDENTIFICATION STICKER:

Electronic Control Units should have an
HWH® AP# and HWH® Serial Number sticker on the Electronic Control Unit.

- ▶ [Quick Reference Guide - All Electronic Control Units \(ML11428QR_002.HTML\)](#)
- ▶ [Miscellaneous \(Interface & Junction Boxes\)](#)
- ▶ [Active Air Suspension & Leveling \(Metal / Plexi-Glass Control Box\)](#)
- ▶ [Grease Timer](#)
- ▶ [Precision Leveling](#)
- ▶ [Travel Clamp Sequence Box](#)
- ▶ [Country Coach® Prevost® Conversions](#)
- ▶ [300 Series \(Metal Control Box\)](#)
- ▶ [310 Series \(Metal Control Box\)](#)
- ▶ [305/325/325A Series \(Metal / Plexi-Glass Control Box - ENC ASSY\)](#)
- ▶ [500 Series \(Metal Control Box - 9.00" x 14.50" x ##.##"\)](#) R & R ONLY
- ▶ [510 Series \(Metal Control Box - 2.75" X 4.25" X 7.00"\)](#)
- ▶ [600 Series \(Metal Control Box - 9.00" X 14.50" X ##.##"\)](#) R & R ONLY
- ▶ [610 Series / Non-Central Ground \(Metal Control Box - 2.75" X 4.25" X 7.00"\)](#)
- ▶ [610 Series / Central Ground \(Metal Control Box - 2.75" X 4.25" X 8.00"\)](#)
- ▶ [625/625S Series \(Metal / Plexi-Glass Control Box - ENC ASSY\)](#)
- ▶ [680 Series \(Metal Control Box\) & Limit Switch Status Indicator Box](#) R & R ONLY
- ▶ [700/725 Series \(MIOM - Multiplexed Input/Output Control Module\)](#)
- ▶ [2000 Series \(Metal / Plexi-Glass Control Box\)](#)

Web Pages

Click to Link

[Quick Reference Guide - "Control Units - Electronic"](#) [ML11428QR_002](#)

Country Coach® Prevost® Conversions

Computer-Control Leveling | _____ BOX
Ribbon Cable
Country Coach® Prevost® Conversion
AP8045

[MR15.6100](#)

Miscellaneous - Interface & Junction Boxes

PLEXI-GLASS/METAL BOX
Interface Box

Intellitek® and Spyder® Systems
AP33578 THRU AP33584

[MR15.6750](#)

PLEXI-GLASS/METAL BOX
Slide-Out Junction Box

Operates Up to Eight Slide-Outs
AP47206

[MR15.9050](#)

Grease Timer | METAL BOX - 2.75" x 4.25" x 7.00"

Grease Timer | 2.75" x 4.25" x 7.00" METAL BOX
 Use Beginning in 1992
 AP9736

[MR15.1000](#)**300 Series | METAL BOX**

300 Series | ## X ## X ## METAL BOX
 Air Leveling
 AP1495 THRU AP11053

[MR15.6000](#)**310 Series | METAL BOX**

310 Series | 2.75" x 4.25" x 7.00" METAL BOX
 Automotive Blade Fuses
Motorized Vehicles
 Use Beginning in 1995
 AP1220 THRU AP17403

[MR15.2000](#)

310 Series | 2.75" x 4.25" x 7.00" METAL BOX
 Automotive Blade Fuses
Non-Motorized Vehicles
 AP1737 THRU AP29798

[MR15.3000](#)

310 Series | 9.00" x 14.00" x ##.##" METAL BOX
 Six Jack System | Featherlite®
 AP17260

[MR15.3100](#)**305/325/325A Series | PLEXI-GLASS/METAL BOX**

305/325 Series | PLEXI-GLASS/METAL BOX
 Use Beginning 2003
 AP25918 THRU AP32271

[MR15.3105](#)

325A Series | PLEXI-GLASS/METAL BOX
Motorized Vehicles
 Use Beginning 2004
 AP31343 THRU AP35905

[MR15.3125](#)

325A Series | PLEXI-GLASS/METAL BOX
Non-Motorized Vehicles
 AP34629 THRU AP39330

[MR15.3150](#)**500 Series | METAL CONTROL BOX - 9.00" x 14.50" x ##.##" (R & R ONLY)**

500 Series | 9.00" x 14.50" x ##.##" METAL BOX
 Glass Cartridge Type Fuses
 Used Primarily in 1988 & 1989
 AP5842 / AP6013 / AP6018 / AP6021

[MR15.6200.HTML](#)

500 Series | 9.00" x 14.50" x ##.##" METAL BOX
 Automotive Type Blade Fuses | Ribbon Cable Connections
 AP1687 THRU AP22070

[MR15.6300.HTML](#)**510 Series | METAL CONTROL BOX - 2.75" X 4.25" X 7.00"**

510 Series | 2.75" X 4.25" X 7.00" METAL BOX
 40-Wire Cable | Automotive Blade Fuses
 AP6720 THRU AP9230

[MR15.4200](#)

510 Series | 2.75" X 4.25" X 7.00" METAL BOX
 Modular Cable | Automotive Blade Fuses
 AP7845 THRU AP8812

[MR15.4400](#)**600 Series | METAL CONTROL BOX - 9.00" X 14.50" X ##.##" (R & R ONLY)**

600 Series | 9" x 14.5" x ##" METAL BOX
 Modular Cable | Automotive Blade Fuses
 AP0415 THRU AP25514

[MR15.6400.HTML](#)

600 Series | 9" x 14.5" x ##" METAL BOX
Automotive Blade Fuses
"Level-In / Level-Out Floor" Slide-Out
AP12281 THRU 13412

[MR15.6500](#)

610 Series (Non-Central Ground) | METAL CONTROL BOX - 2.75" X 4.25" X 7.00"

610 Series | 2.75" X 4.25" X 7.00" METAL BOX
Modular Cable | Automotive Blade Fuses
Use Beginning 1991

Page 1 of 2 - AP0111 THRU AP1430

[MR15.4500](#)

Page 2 of 2 - AP7945 THRU AP9526

[MR15.4510](#)

610 Series | 2.75" X 4.25" X 7.00" METAL BOX
Modular Cable | Automotive Blade Fuses
Hydraulic / Jet Air Suspension
AP9800 THRU AP9850

[MR15.4520](#)

610 Series | 2.75" X 4.25" X 7.00" METAL BOX
Non-Motorized Vehicles
AP9463

[MR15.4530](#)

610 Series Central Ground | METAL CONTROL BOX - 2.75" X 4.25" X 8.00"

610 Series | 2.75" X 4.25" X 8.00" METAL BOX
Automotive Blade Fuses | Central Grounded
Use Beginning in 1993
AP0984 THRU AP18482

[MR15.4600](#)

610 Series | 2.75" X 4.25" X 2.500" METAL BOX
Central Grounded
Dual Touch Panel Interface
AP11420

[MR15.4700](#)

610 Series | 5.50" (2.25" X 2) X 4.25" X 8.00" METAL BOX (STACKED TWO-HIGH)
Automotive Blade Fuses | Central Grounded
with Slide-Out
AP10846 THRU AP19911

[MR15.4800](#)

610 Series | 5.50" (2.25" X 2) X 4.25" X 8.00" METAL BOX (STACKED TWO-HIGH)
Automotive Blade Fuses | Central Grounded
Six SA Jack System
AP18766

[MR15.4900](#)

625 & 625SSeries | PLEXI-GLASS/METAL CONTROL BOX

625 Series | PLEXI-GLASS/METAL BOX
Motorized Vehicles
Use Beginning 2003

Page 1 of 2 - AP28215 THRU AP31824

[MR15.5000](#)

Page 2 of 2 - AP32229 THRU AP41840

[MR15.5001](#)

625S Series | PLEXI-GLASS/METAL BOX
Motorized Vehicles
Use Beginning 2005

Page 1 of 2 - AP34756 THRU AP37621

[MR15.5010](#)

Page 2 of 2 - AP37629 THRU AP47154

[MR15.5011](#)

625 & 625S Series | PLEXI-GLASS/METAL BOX
Non-Motorized Vehcles
AP37689 THRU AP42385

[MR15.5030](#)

680 Series | METAL CONTROL BOX - 19" X 14" X ##" (R & R ONLY)

680 Series | 19.00" x ##" x ##" METAL BOX
Slide-Outs | Slide-Out Locks

[MR15.6600.HTML](#)

680 Series | ##" x ##" x ##" METAL BOX
Status Limit Switch Box
Slide-Out Lock Cylinders
AP18441 THRU AP25256

[MR15.6605](#)

700 & 725 Series | Multiplex Input/Output Module (MIOM)

700 Series | MIOM (Multiplexed Input/Output Module)
Use Beginning 2011
AP48445 THRU AP48446

[MR15.6610](#)

725 Series | MIOM (Multiplexed Input/Output Module)
AP45494 THRU AP49063

[MR15.5100](#)

2000 Series | PLEXI-GLASS/METAL BOX

2000 Series | PLEXI-GLASS/METAL BOX(ES)
Motorized Vehicles

[MR15.6700](#)

Page 1 - AP22690 THRU AP24062

[MR15.6700](#)

Page 2 - AP24063 THRU AP26569

[MR15.6703](#)

Page 3 - AP26594 THRU AP27947

[MR15.6706](#)

Page 4 - AP28260 THRU AP31037

[MR15.6709](#)

Page 5 - AP31481 THRU AP35557

[MR15.6712](#)

Page 6 - AP35810 THRU AP39965

[MR15.6715](#)

Page 7 - AP39998 THRU AP45881

[MR15.6718](#)

Page 8 - AP45988 THRU AP48835

[MR15.6721](#)

[MR15.6724](#)

2000 Series | PLEXI-GLASS/METAL BOX
Non-Motorized
AP43014 THRU AP46464

[MR15.6775](#)

Active Air | PLEXI-GLASS/METAL BOX

Active Air Leveling System | PLEXI-GLASS/METAL BOX

[MR15.7000](#)

Page 1 of 2 - AP39988 THRU AP42582

[MR15.7000](#)

Page 2 of 2 - AP42659 THRU AP49030

[MR15.7001](#)

Travel Clamp for Slide-Out | METAL BOX - 2.75" X 4.25" X 3.20"

Slide-Out Travel Clamp | 2.75" X 4.25" X 3.20" METAL BOX
Use Beginning 2002

[MR15.9000](#)

Precision Leveling

Precision Leveling | PLEXI-GLASS/METAL BOX
Control Boxes & Interface Boxes
AP47124 THRU AP48825

[MR15.9400](#)

Precision Leveling | MIOM (Multiplex Input/Output Module)
Jack Mounted
AP47181 THRU AP52054

[MR15.9500](#)

HWH CONTROL UNIT | ELECTRONIC

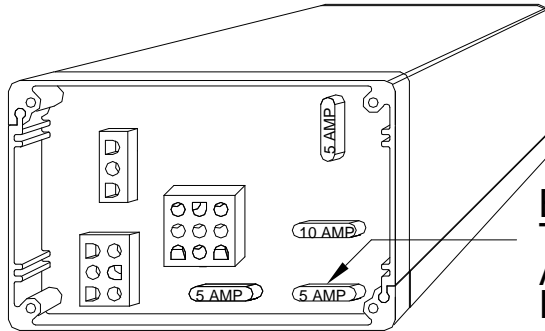
"CONTROL BOX"

AUTOMATIC GREASE SYSTEM

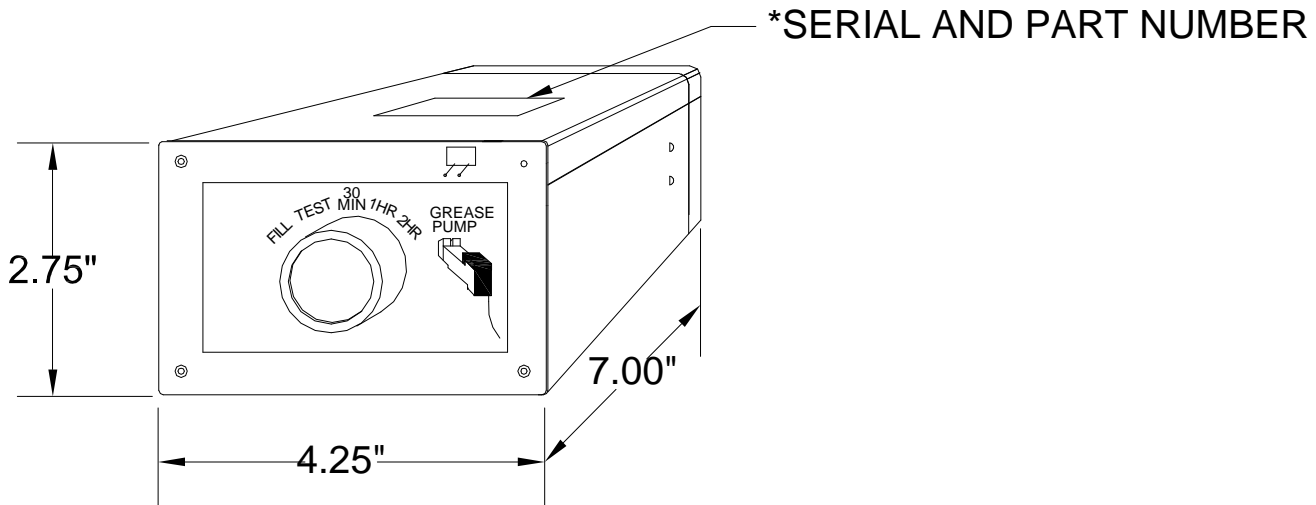
METAL/PLEXI GLASS BOX | 2.75" x 4.25" x 7.00"

(File: MR151000.DOC | Revised: 11JUN18)

[Print Friendly PDF File](#)



BLADE
TYPE
AUTOMOTIVE
FUSE



*EXISTING NUMBER	DESCRIPTION	REPLACEMENT NUMBER
AP9736	GREASE TIMER CONTROL BOX	RAP92028

*PART NUMBER IS ON TOP OF BOX. NUMBER BEGINS WITH "AP" FOLLOWED BY 4 NUMERALS.

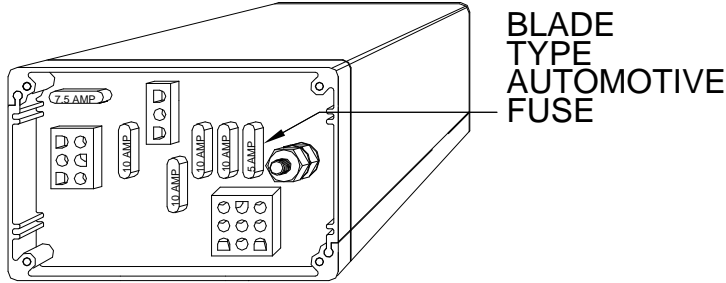
HWH CONTROL UNIT | ELECTRONIC

“CONTROL BOX” 310 SERIES

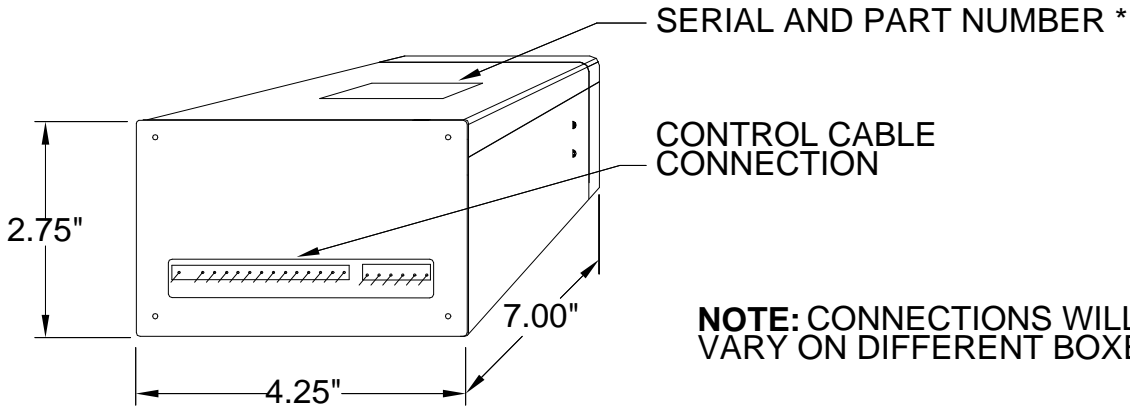
COMPUTER / TOUCH PANEL-CONTROLLED LEVELING SYSTEMS (Air, Hyd & Air/Hyd)
METAL/PLEXI GLASS BOX | 2.75" x 4.25" x 7.00"

(File: MR152000.DOC | Revised: 07JUN18)

[Print Friendly PDF File](#)



BLADE
TYPE
AUTOMOTIVE
FUSE



NOTE: CONNECTIONS WILL VARY ON DIFFERENT BOXES.

REPLACEMENT CONTROL BOXES

*EXISTING NUMBER	HYDRAULIC LEVELING	JACK STYLE	AIR DUMP	AIR LEVELING	PARK SIGNAL	OPERATION FEATURES	COMMON APPLIC.	REPLACE NUMBER
AP1220	YES	STR	NO	NO	NEG.	3 POINT	SAFARI	RAP1220
AP10050	YES	STR	YES	NO	NEG.	3 POINT	BEAVER	RAP90017
AP10079	YES	ANY	YES	NO	NEG.	BI-AXIS		RAP90019
AP10086	YES	ANY	NO	NO	NEG.	BI-AXIS		RAP90019
AP17403	YES	ANY	YES	NO	NEG.	PILOT AIR DUMP		RAP90536

* PART NUMBER IS ON TOP OF BOX. NUMBER BEGINS WITH "AP" FOLLOWED BY 4 OR 5 NUMERALS.

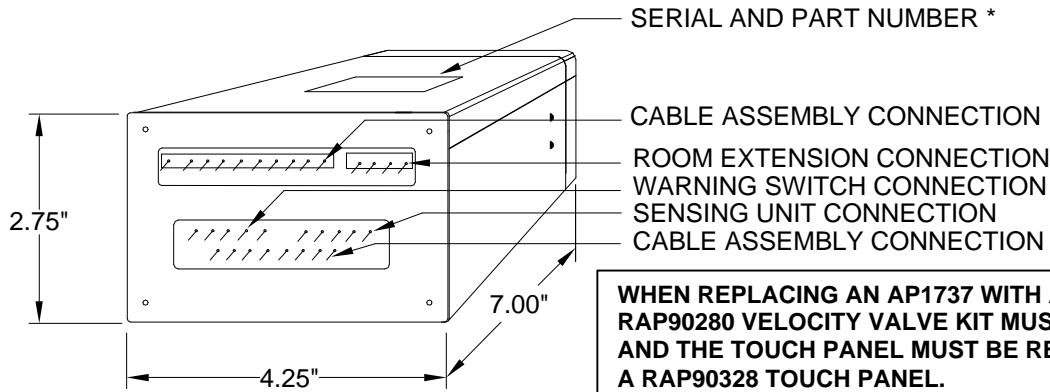
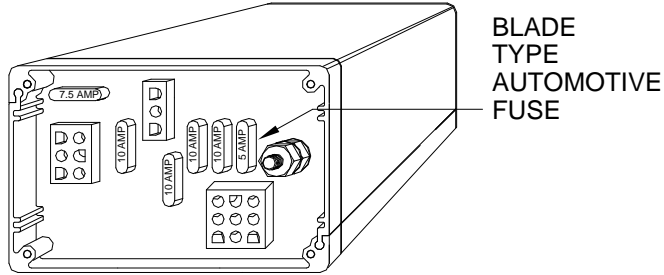
HWH CONTROL UNIT | ELECTRONIC

"CONTROL BOX" 310 SERIES

COMPUTER / TOUCH PANEL-CONTROLLED LEVELING SYSTEMS (Air, Hyd & Air/Hyd)
METAL/PLEXI GLASS BOX | 2.75" x 4.25" x 7.00"

(File: MR153000.DOC | Revised: 07JUN18)

[Print Friendly PDF File](#)



WHEN REPLACING AN AP1737 WITH A RAP90327, A RAP90280 VELOCITY VALVE KIT MUST BE INSTALLED, AND THE TOUCH PANEL MUST BE REPLACED WITH A RAP90328 TOUCH PANEL.

REPLACEMENT CONTROL BOXES

*EXISTING NUMBER	HYDRAULIC LEVELING	JACK STYLE	AIR DUMP	AIR LEVELING	PARK SIGNAL	OPERATION FEATURES	**COMMON APPLIC.	REPLACE NUMBER
AP1737	YES	STR	NO	NO	NONE	FIFTH WHEEL TRAILERS	OBSOLETE	RAP90327
AP10971	YES	STR	NO	NO	NONE		CARRIAGE	RAP90537
AP11995	YES	STR	NO	NO	NEG.	BI-AXIS FRONT JACKS PRESS. SW	FEATHERLITE	RAP90299
AP14545	YES	STR	NO	NO	NONE	FIFTH WHEEL TRAILERS	TRAILERS	RAP90327
AP20961	YES	STR	NO	NO	NEG.	1 ROOM EXTENSION	TRAILERS	RAP91628
AP29798	YES	STR	YES	NO	NONE		TRAILERS	RAP91996

* PART NUMBER IS ON TOP OF BOX. NUMBER BEGINS WITH "AP" FOLLOWED BY 4 OR 5 NUMERALS.

** SOME VEHICLES MAY HAVE DIFFERENT CONTROL BOXES.

HWH CONTROL UNIT | ELECTRONIC

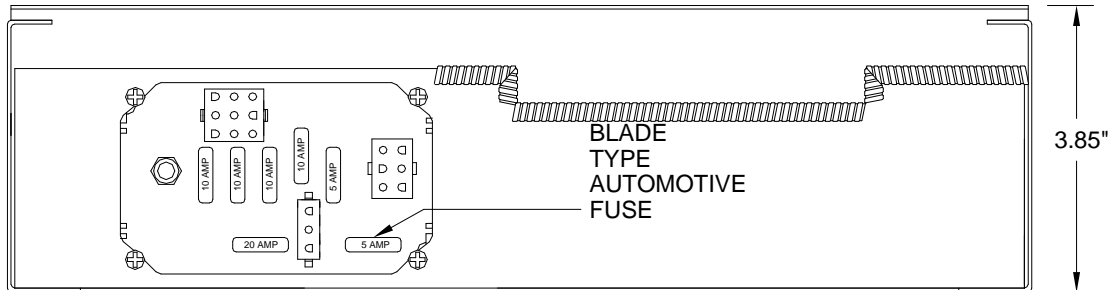
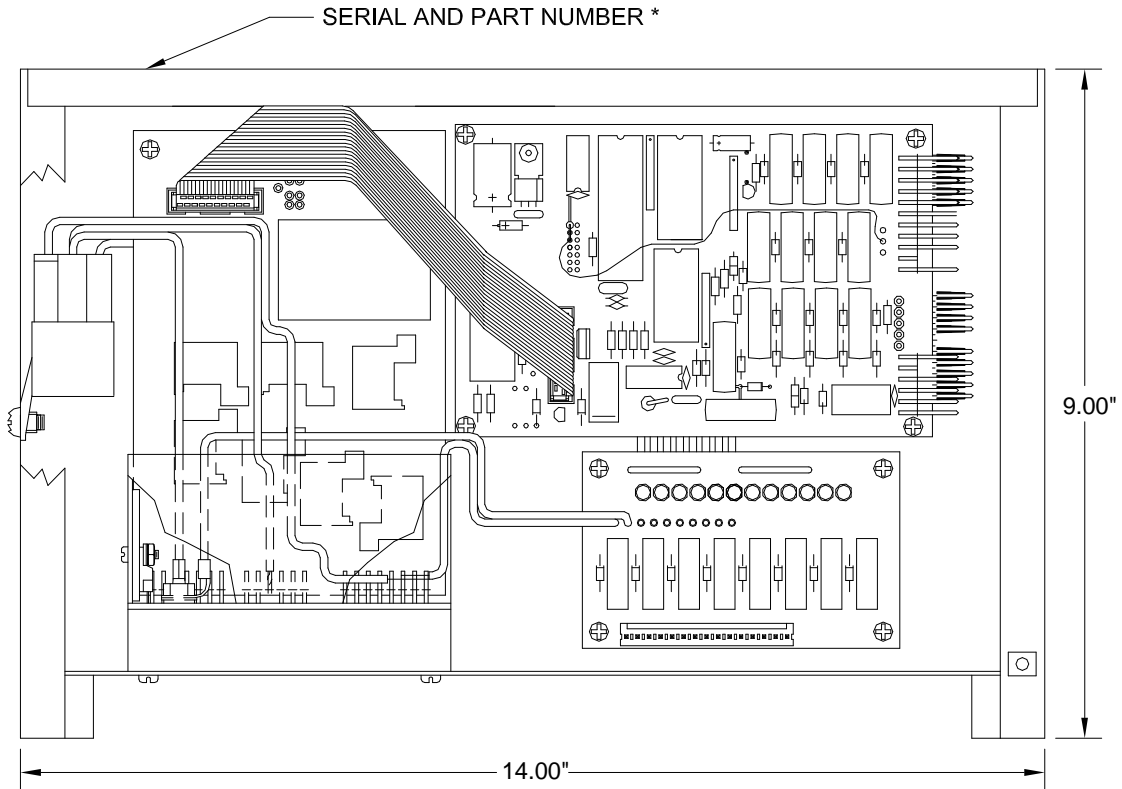
"CONTROL BOX" 310 SERIES

COMPUTER / TOUCH PANEL-CONTROLLED LEVELING SYSTEMS (Air, Hyd & Air/Hyd)

METAL/PLEXI GLASS BOX | 9.00" x 14.00"

(File: MR153100.DOC | Revised: 07JUN18)

[Print Friendly PDF File](#)



REPLACEMENT CONTROL BOXES

*EXISTING NUMBER	HYDRAULIC LEVELING	JACK STYLE	AIR DUMP	AIR LEVELING	PARK SIGNAL	OPERATION FEATURES	COMMON APPLIC.	REPLACE NUMBER
AP17260	YES	6-ST	NO	NO	NEG.	AUTOMATIC STABILIZE	FEATHERLITE	RAP92023

* PART NUMBER IS ON INSIDE TOP EDGE OF BOX (NOT LID). NUMBER BEGINS WITH "AP" FOLLOWED BY 5 NUMERALS.

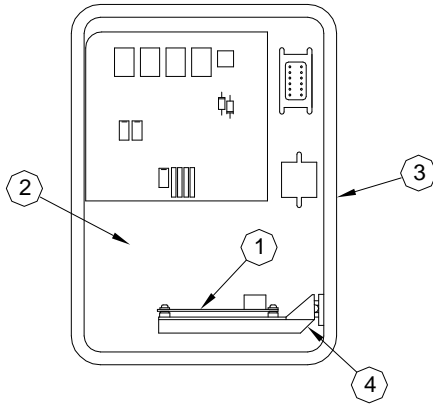
HWH CONTROL UNIT | ELECTRONIC

"CONTROL BOX" 305/325 SERIES

TOUCH PANEL-CONTROLLED LEVELING SYSTEMS (Air, Hyd & Air/Hyd)
METAL/PLEXIGLASS BOX | 8.50" x 11.50"

(File: MR153105.DOC | Revised: 07JUN18)

[Print Friendly PDF File](#)



REPLACEMENT PARTS

ITEM	PART	DESCRIPTION
1	RAP91172	SENSING UNIT
2	RAP91932	CLEAR POLY COVER
3	RP92193	RETAINER SEAL (QTY. 1)
4	SEE >	MR452005.HTML FOR SENSING UNIT MOUNTING HDWE INFO.
	R90924	3 AMP FUSE
	R90925	5 AMP FUSE
	R90928	15 AMP FUSE
	NOTE:	FUSES SOLD IN QTY. OF FIVE

EXISTING ASSEMBLY AP #	VARIABLES			
	SERIES	SUSPENSION	ROOMS	GLASS
AP25918	305	N/A		N/A
AP26778	325	SPRING		EAST
AP27268	305	N/A	1 OR 2	N/A
AP28735	325	AIR-HWH DUMP		WEST
AP28887	305	N/A	3 OR 4	N/A
AP29056	325	AIR-PILOT DUMP	3 OR 4	EAST
AP29291	325	AIR-PILOT DUMP	3 OR 4	NORTH
AP29302	325	AIR-PILOT DUMP	5 OR 6	NORTH
AP29502	325	AIR-HWH DUMP		EAST
AP29862	325	SPRING		WEST
AP30018	325	AIR-PILOT DUMP		PROG
AP30045	325	SPRING		PROG
AP30048	325	AIR-PILOT DUMP		EAST
AP30074	325	AIR-HWH DUMP		NORTH
AP30377	325	SPRING	1 OR 2	EAST
AP30540	325	SPRING	3 OR 4	EAST
AP30716	325	AIR-PILOT DUMP		WEST
AP30813	325	SPRING		SOUTH
AP30900	325	SPRING		NORTH
AP30987	325	SPRING	1 OR 2	WEST
AP31095	325	AIR-PILOT DUMP	3 OR 4	WEST
AP31706	325	SPRING	1 OR 2	PROG
AP32230	325	SPRING	3 OR 4	PROG
AP32232	325	AIR-PILOT DUMP	1 OR 2	PROG
AP32234	325	AIR-PILOT DUMP	3 OR 4	PROG
AP32271	325	SPRING	1 OR 2	WEST

REPLACEMENT ASSEMBLY PART #	ID DECAL PART #
RAP91318	AP25918
RAP91299	AP30045
RAP91317	AP27268
RAP91301	AP30018
RAP91104	AP28887
RAP91269	AP32234
RAP91269	AP32234
RAP91353	AP29302
RAP91301	AP30018
RAP91299	AP30045
RAP91301	AP30018
RAP91299	AP30045
RAP91301	AP30018
RAP91301	AP30018
RAP91591	AP30377
RAP91590	AP30540
RAP91301	AP30018
RAP91299	AP30045
RAP91299	AP30045
RAP91261	AP31706
RAP91269	AP32234
RAP91261	AP31706
RAP91265	AP32230
RAP91270	AP32232
RAP91269	AP32234
RAP91261	AP31706

THE "GLASS" COLUMN REFERS TO THE DIRECTION THE PLEXIGLASS SIDE OF THE CONTROL BOX IS FACING. THE FRONT OF THE COACH IS ALWAYS NORTH. "N/A" INDICATES THIS ASSEMBLY HAS NO SENSING UNIT. "PROG" INDICATES THIS (AP ASSEMBLY) COMES WITH A PROGRAMMABLE SENSING UNIT.

REPLACEMENT ASSEMBLIES WILL HAVE PROGRAMMABLE SENSING UNITS USING JUMPERS TO RECREATE THE ORIGINAL INSTALLATION GLASS DIRECTION AND SUSPENSION VARIABLES. REFER TO INSTRUCTION SHEET SUPPLIED WITH REPLACEMENT BOX.

WHEN REPLACING AN EXISTING 305/325 ASSEMBLY, ORDER BY THE REPLACEMENT "ASSEMBLY PART #" LISTED ABOVE, UNLESS OTHERWISE AUTHORIZED BY AN HWH REPRESENTATIVE.

ORDER BY THE REPLACEMENT #, BUT BE AWARE THAT THE ID DECAL LOCATED ON THE OUTSIDE OF THE ASSEMBLY, WILL NOT REFLECT THE RAP #. THE ID DECAL WILL EITHER REFLECT THE "EXISTING ASSEMBLY AP#", OR THE REPLACEMENT "ID DECAL AP#" LISTED.

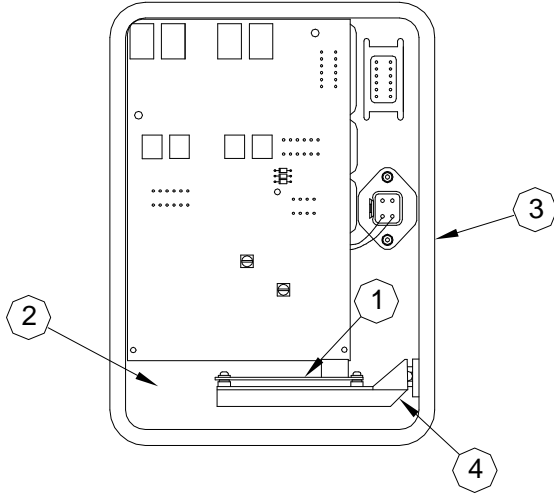
HWH CONTROL UNIT | ELECTRONIC

"CONTROL BOX" 325A SERIES

COMPUTER / TOUCH PANEL-CONTROLLED LEVELING SYSTEMS (Air, Hyd & Air/Hyd)
METAL/PLEXI GLASS BOX | 8.50" x 11.50"

(File: MR153125.DOC | Revised: 07JUN18)

[Print Friendly PDF File](#)



REPLACEMENT PARTS

ITEM	PART	DESCRIPTION
1	RAP91172	SENSING UNIT
2	RAP91932	CLEAR POLY COVER
3	RP92193	RETAINER SEAL ONE PER RP92193
4	SEE >	MR452005.HTML FOR SENSING UNIT MTG. HDWE INFO.
	R90925	5 AMP FUSE
	R90927	10 AMP FUSE
	R90928	15 AMP FUSE
	NOTE:	FUSES SOLD IN QTY OF 5

EXISTING ASSEMBLY AP #	VARIABLES	
	ROOMS	GLASS
AP31343	3 OR 4	NORTH
AP31345	3 OR 4	EAST
AP31348	1 OR 2	EAST
AP31493	1 OR 2	PROG
AP31659		EAST
AP31674	1 OR 2	NORTH
AP32150	3 OR 4	WEST
AP32235	3 OR 4	PROG
AP32236		PROG
AP32508	1 OR 2	WEST
AP32538		NORTH
AP32750		WEST
AP33176		WEST
AP33234		PROG
AP33273	5 OR 6	SOUTH
AP33292	5 OR 6	PROG
AP33538		EAST
AP33539		EAST
AP33693	5 OR 6	NORTH
AP33850		EAST
AP35905	1 OR 2	SOUTH

REPLACEMENT ASSEMBLY PART #	ID DECAL PART #
RAP91263	AP32235
RAP91431	AP31345
RAP91262	AP31493
RAP91262	AP31493
RAP91268	AP32236
RAP91262	AP31493
RAP91263	AP32235
RAP91263	AP32235
RAP91268	AP32236
RAP91262	AP31493
RAP91268	AP32236
RAP91268	AP32236
RAP91268	AP32236
RAP91268	AP32236
RAP91268	AP32236
RAP91576	AP33292
RAP91576	AP33292
RAP91268	AP32236
RAP91268	AP32236
RAP91576	AP33292
RAP91268	AP32236
RAP91262	AP31493

THE "GLASS" COLUMN REFERS TO THE DIRECTION THE PLEXIGLASS SIDE OF THE CONTROL BOX IS FACING. THE FRONT OF THE COACH IS ALWAYS NORTH. "PROG" INDICATES THIS (AP ASSEMBLY) COMES WITH A PROGRAMMABLE SENSING UNIT.

WHEN REPLACING AN EXISTING 325A ASSEMBLY, ORDER BY THE REPLACEMENT "ASSEMBLY PART #" LISTED ABOVE, UNLESS OTHERWISE AUTHORIZED BY AN HWH REPRESENTATIVE.

REPLACEMENT ASSEMBLIES WILL HAVE PROGRAMMABLE SENSING UNITS USING JUMPERS TO RECREATE THE ORIGINAL INSTALLATION GLASS DIRECTION AND SUSPENSION VARIABLES. REFER TO INSTRUCTION SHEET SUPPLIED WITH REPLACEMENT BOX.

ORDER BY THE REPLACEMENT #, BUT BE AWARE THAT THE ID DECAL LOCATED ON THE OUTSIDE OF THE ASSEMBLY, WILL NOT REFLECT THE RAP #. THE ID DECAL WILL EITHER REFLECT THE "EXISTING ASSEMBLY AP#", OR THE REPLACEMENT "ID DECAL AP#" LISTED.

HWH CONTROL UNIT | ELECTRONIC

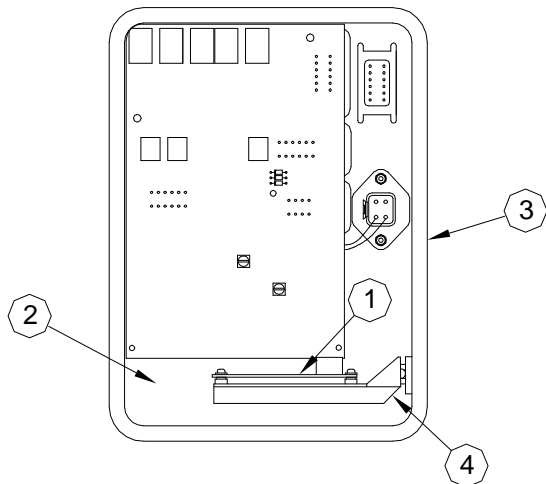
"CONTROL BOX/ENC ASSY"

325A SERIES

COMPUTER / TOUCH PANEL-CONTROLLED LEVELING SYSTEMS (Air, Hyd & Air/Hyd)
METAL/PLEXI GLASS BOX | 8.50" x 11.50"

(File: MR153150.DOC | Revised: 07JUN18)

[Print Friendly PDF File](#)



REPLACEMENT PARTS

ITEM	PART	DESCRIPTION
1	RAP91172	SENSING UNIT
2	RAP91932	CLEAR POLY COVER
3	RP92193	RETAINER SEAL (ONE PER RP92193)
4	SEE >	MR452005.HTML FOR SENSING UNIT MOUNTING HDWE INFORMATION
	R90924	3 AMP FUSE
	R90925	5 AMP FUSE
	R90926	7.5 AMP FUSE
	R90927	10 AMP FUSE
	R90928	15 AMP FUSE
	NOTE:	FUSES ARE SOLD IN QUANTITIES OF FIVE.

EXISTING ASSEMBLY AP #	VARIABLES		
	OPERATION	ROOMS	GLASS
AP34629	EQ VALVE, NO JACK PRESS. SW.		PROG
AP34940	NO EQ VALVE, JACK PRESS. SW.		PROG
AP35382	EQ VALVE, NO JACK PRESS. SW.	1 OR 2	PROG
AP35718	EQ VALVE, NO JACK PRESS. SW.		NORTH
AP36184	EQ VALVE, JACK PRESS. SW.	1 OR 2	SOUTH
AP36259	EQ VALVE, NO JACK PRESS. SW.	1 OR 2	NORTH
AP36937	EQ VALVE, JACK PRESS. SW.		PROG
AP37234	EQ VALVE, JACK PRESS. SW.	1 OR 2	NORTH
AP37271	EQ VALVE, JACK PRESS. SW.		NORTH
AP37272	EQ VALVE, JACK PRESS. SW.	1 OR 2	PROG
AP37610	EQ VALVE, JACK PRESS. SW.		WEST
AP39330	EQ VALVE, JACK PRESS. SW.	7 OR 8	PROG

REPLACEMENT ASSEMBLY PART #	ID DECAL PART #
RAP92654	AP34629
RAP91646	AP34940
RAP91668	AP35382
RAP92654	AP34629
RAP91771	AP37272
RAP91668	AP35382
RAP91645	AP36937
RAP91771	AP37272
RAP91645	AP36937
RAP91771	AP37272
RAP91645	AP36937
RAP92011	AP39330

THE "**GLASS**" COLUMN REFERS TO THE DIRECTION THE PLEXIGLASS SIDE OF THE CONTROL BOX IS FACING. THE FRONT OF THE COACH IS ALWAYS NORTH. "**PROG**" INDICATES THAT THIS (AP ASSEMBLY) COMES WITH A PROGRAMMABLE SENSING UNIT. REPLACEMENT ASSEMBLIES WILL HAVE PROGRAMMABLE SENSING UNITS USING JUMPERS TO RECREATE THE ORIGINAL INSTALLATION GLASS DIRECTION AND SUSPENSION VARIABLES. REFER TO INSTRUCTION SHEET SUPPLIED WITH REPLACEMENT BOX.

WHEN REPLACING AN EXISTING 325A ASSEMBLY, ORDER BY THE **REPLACEMENT "ASSEMBLY PART #"** LISTED ABOVE, UNLESS OTHERWISE AUTHORIZED BY AN HWH REPRESENTATIVE.

ORDER BY THE REPLACEMENT #, BUT BE AWARE, THAT THE ID DECAL LOCATED ON THE OUTSIDE OF THE ASSEMBLY WILL NOT REFLECT THE RAP #. THE ID DECAL WILL EITHER REFLECT THE "**EXISTING ASSEMBLY AP #**" OR THE **REPLACEMENT "ID DECAL AP #"** LISTED.

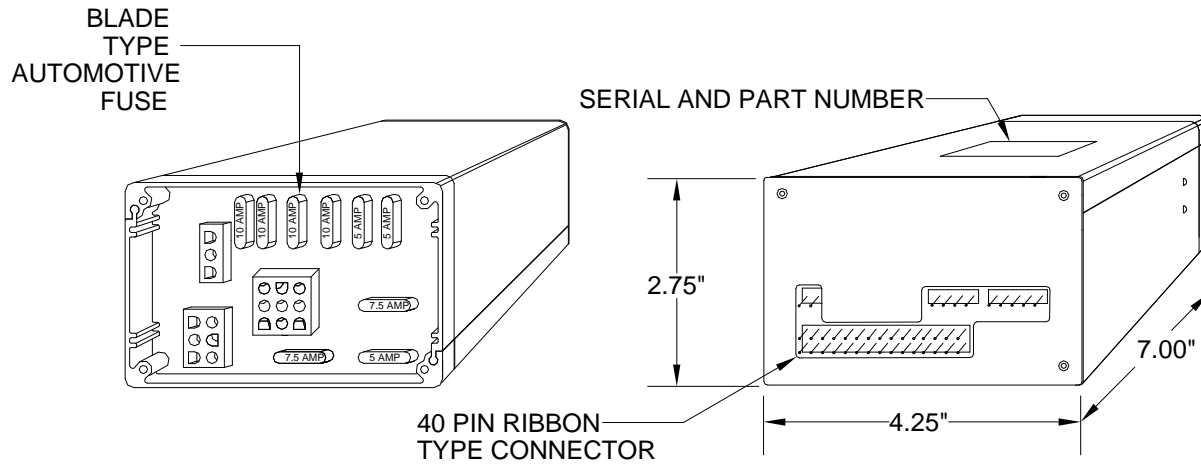
HWH CONTROL UNIT | ELECTRONIC

“CONTROL BOX” 510 SERIES

COMPUTER / TOUCH PANEL-CONTROLLED LEVELING SYSTEMS (Air, Hyd & Air/Hyd)
METAL/PLEXI GLASS BOX | 2.75" x 4.25" x 7.00"

(File: MR154200.DOC | Revised: 29MAR19)

[Print Friendly PDF File](#)



REPLACEMENTS:

- > NEW OR REMANUFACTURED UNITS ARE NO LONGER AVAILABLE.
- > HWH MAY BE ABLE TO REPAIR YOUR EXISTING UNIT.
- > CONTACT HWH TO GET AN RGA NUMBER TO RETURN THE EXISTING UNIT TO HWH FOR REPAIR.

***CONTROL BOXES AP7545 & AP7550 ARE RECONNECTABLE FOR NEG. OR POS. (+12) PARK SIGNALS. THESE BOXES WERE USED PRIMARILY ON OSHKOSH PUSHER COACHES WHICH HAD POS. PARK SIGNALS.

REPLACEMENT CONTROL BOXES

*EXISTING NUMBER	HYDRAULIC LEVELING	JACK STYLE	AIR DUMP	AIR LEVELING	PARK SIGNAL	OPERATION FEATURES	**COMMON APPLIC.	REPLACE NUMBER (R&R ONLY)
AP6720 or AP8470	YES	2 or 4 KD	YES	NO	NEG.	2-3 JACKS	TYP. PUSH AIR SUSP.	RAP8470
AP6763 or AP8463	YES	2 or 4 KD	NO	NO	NEG.	2-1 JACKS	CHEV.FORD OSH.JD	RAP8463
AP7202 or AP8473	YES	4-ST	YES	NO	NEG.	2-3 JACKS		RAP8473
AP7545	YES	4-KD	NO	NO	POS. or NEG.	2-1 JACKS	OSH PUSH CHEV.FORD	RAP8493 RAP8463
AP7550	YES	4-KD	YES	NO	POS. or NEG.	2-3 JACKS	OSH PUSH GIL.SPART	RAP8495 RAP8470
AP7585 ***	YES	2 or 4 KD	YES	NO	NEG.	2-1 JACKS	STARCRAFT	RAP9230 ****
AP8493	YES	2 or 4 KD	NO	NO	POS.	2-1 JACKS	MALLARD	RAP8493
AP8495	YES	2 or 4 KD	YES	NO	POS.	2-3 JACKS	MALLARD/ AIR SUSP.	RAP8495
AP8668	YES	4-KD	NO	NO	NEG.	2-1 JACKS 30 S. STAB		RAP8668

AP8718	YES	4-KD	YES	NO	NEG.	2-3 JACKS 30 S. STAB		RAP8718
AP9230	YES	2 or 4 KD	YES	NO	NEG.	2-1 JACKS		RAP9230

- * PART NUMBER IS ON TOP OF BOX. NUMBER BEGINS WITH "AP" FOLLOWED BY 4 NUMERALS.
- ** SOME VEHICLES MAY HAVE DIFFERENT CONTROL BOXES.
- *** THIS CONTROL BOX USES A DIAGONAL SENSING UNIT.

HWH CONTROL UNIT | ELECTRONIC

“CONTROL BOX”

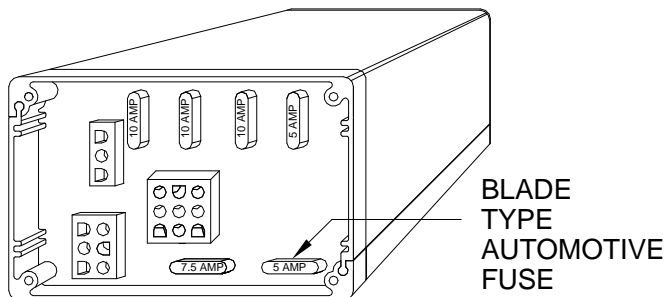
510 SERIES

COMPUTER / TOUCH PANEL-CONTROLLED LEVELING SYSTEMS (Air, Hyd & Air/Hyd)

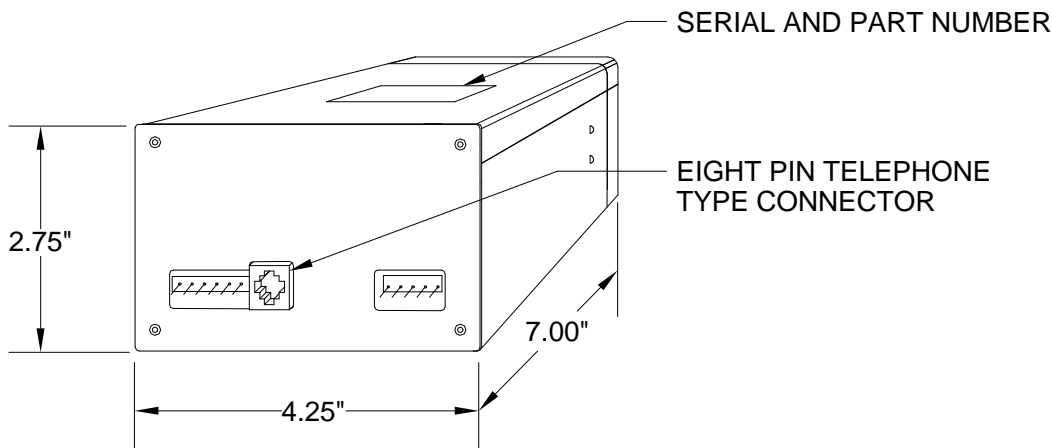
METAL/PLEXI GLASS BOX | 2.75" x 4.25" x 7.00"

(File: MR154400.DOC | Revised: 29MAR19)

[Print Friendly PDF File](#)



BLADE
TYPE
AUTOMOTIVE
FUSE



REPLACEMENTS:

> NEW OR REMANUFACTURED UNITS ARE NO LONGER AVAILABLE.

> HWH MAY BE ABLE TO REPAIR YOUR EXISTING UNIT.

> CONTACT HWH TO GET AN RGA NUMBER TO RETURN THE EXISTING UNIT TO HWH FOR REPAIR.

REPLACEMENT CONTROL BOXES

*EXISTING NUMBER	HYDRAULIC LEVELING	JACK STYLE	AIR DUMP	AIR LEVELING	PARK SIGNAL	OPERATION FEATURES	**COMMON APPLIC.	REPLACE NUMBER (R & R ONLY)
AP7855 or AP8478	YES	2 or 4 KD	YES	NO	NEG.	2-3 JACKS	ELITE	RAP8478
AP7865 or AP8465	YES	2 or 4 KD	NO	NO	NEG.	2-1 JACKS	FLEETWOOD ELITE	RAP8465
AP8055	YES	4-ST	NO	NO	NEG.	2-1 JACKS	BLUEBIRD	RAP8055
AP8075	YES	4-ST	YES	NO	NEG.	2-3 JACKS	FORETRAVEL	RAP8075
AP8717	YES	2 or 4 KD	NO	NO	NEG.	2-1 JACKS 30 S. STAB		RAP8717
AP8812	YES	4-ST	NO	NO	NEG.		MART-MARI MID-WELD	RAP8812

* PART NUMBER IS ON TOP OF BOX. NUMBER BEGINS WITH "AP" FOLLOWED BY 4 OR 5 NUMERALS.

** SOME VEHICLES MAY HAVE DIFFERENT CONTROL BOXES.

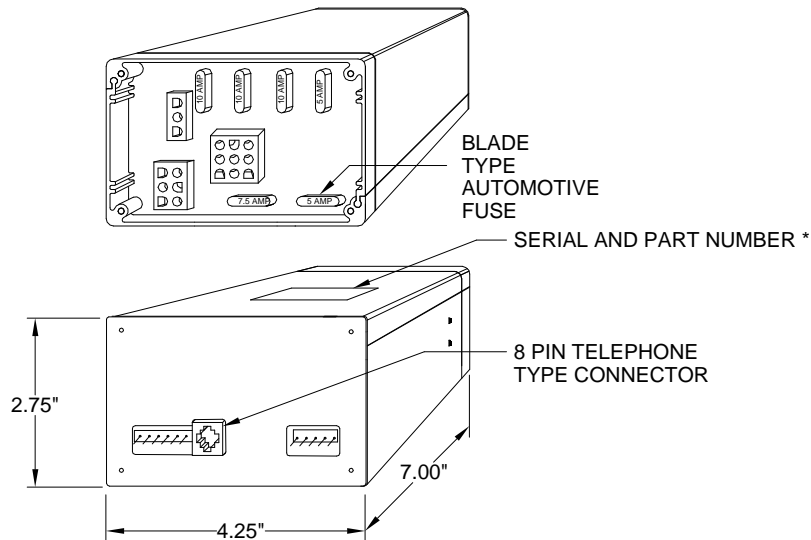
HWH CONTROL UNIT | ELECTRONIC

"CONTROL BOX" 610 SERIES

COMPUTER / TOUCH PANEL-CONTROLLED LEVELING SYSTEMS (Air, Hyd & Air/Hyd)
METAL/PLEXI GLASS BOX | 2.75" x 4.25" x 7.00"

(File: MR154500.DOC | Revised: 29MAR19)

[Print Friendly PDF File](#)



REPLACEMENTS:

- > NEW OR REMANUFACTURED UNITS ARE NO LONGER AVAILABLE.
- > HWH MAY BE ABLE TO REPAIR YOUR EXISTING UNIT.
- > CONTACT HWH TO GET AN RGA NUMBER TO RETURN THE EXISTING UNIT TO HWH FOR REPAIR.

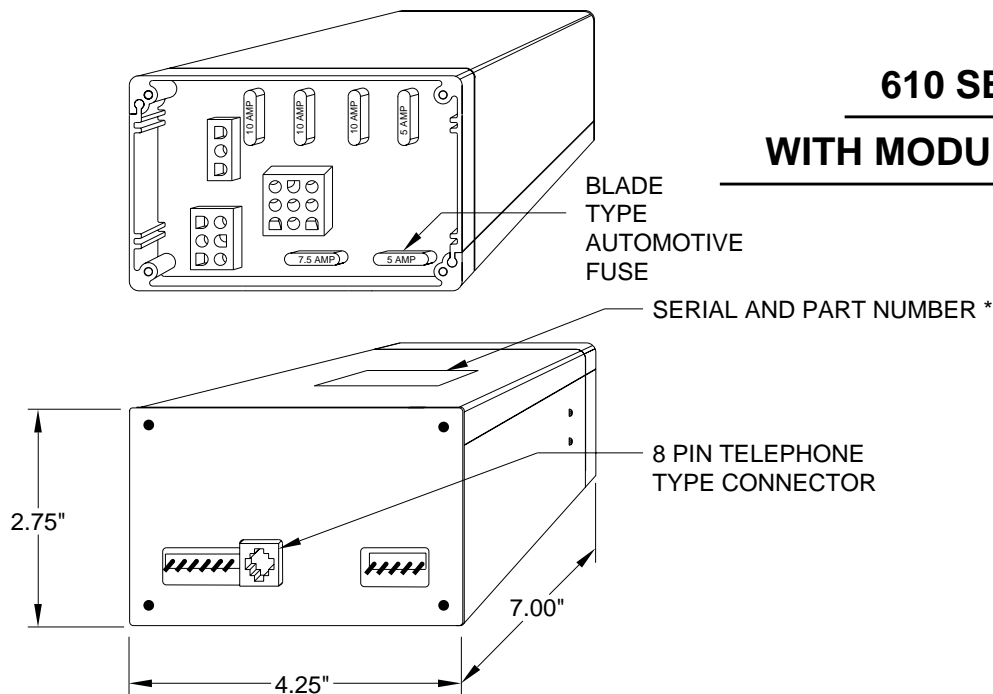
REPLACEMENT CONTROL BOXES

*EXISTING NUMBER	HYDRAULIC LEVELING	JACK STYLE	AIR DUMP	AIR LEVELING	PARK SIGNAL	OPERATION FEATURES	**COMMON APPLIC.	REPLACE NUMBER (R&R ONLY)
AP0111	YES	4-KD	YES	NO	NEG.			RAP0111
AP0190	YES	4-KD	NO	NO	POS.	2-9000 # 2-16000 #	FLEETWOOD	RAP90016
AP0451	YES	4-ST	NO	NO	POS.			RAP0451
AP0890	YES	4-ST	YES	NO	NEG.			RAP0890
AP1098	YES	4-ST	NO	NO	NEG.			RAP1098
**** AP1363	YES	4-KD	NO	NO	NEG.	2-JACK LEV 2-JACK STAB		RAP1363
**** AP1368	YES	4-KD	YES	NO	NEG.	2-JACK LEV 2-JACK STAB		RAP1368
AP1370	YES	4-KD	NO	NO	NEG.			RAP1370
*** AP1430	YES	4-KD	NO	NO	NEG.	2-JACK LEV 1-JACK STAB	WINNEBAGO VECTRA	**** RAP1363
AP7945	YES	4-ST	NO	NO	NEG.		NEWMAR	RAP7945
AP8106	YES	4-KD	NO	NO	NEG.		WINNEBAGO FLEETWOOD	**** RAP1363
AP8447	YES	4-ST	NO	NO	NEG.		NEWMAR COACHMAN	RAP8447
AP8604	YES	4-ST	YES	NO	NEG.			RAP8604
AP8687	YES	4-KD	YES	NO	NEG.	2-9000 # 2-16000 #	ELITE	**** RAP1368
AP9212	YES	4-ST	YES	NO	NEG.			RAP9212
AP9526	YES	3-ST	NO	NO	NEG.	3 JACKS	FLEETWOOD	RAP9526

* PART NUMBER IS ON THE TOP OF BOX. NUMBER BEGINS WITH "AP" FOLLOWED BY 4 NUMERALS.

- ** SOME VEHICLES MAY HAVE DIFFERENT CONTROL BOXES.
- *** DOES NOT NEED NEW ACTUATORS
- **** NEEDS NEW STYLE ACTUATORS

BOX, CONTROL FOR COMPUTER-CONTROLLED (TOUCH PANEL) LEVELING SYSTEMS (USE BEGINNING 1991)



REPLACEMENT CONTROL BOXES

*EXISTING NUMBER	HYDRAULIC LEVELING	JACK STYLE	AIR DUMP	AIR LEVELING	PARK SIGNAL	OPERATION FEATURES	**COMMON APPLIC.	REPLACE NUMBER
AP7945	YES	4-ST	NO	NO	NEG.		NEWMAR	RAP7945
AP8106	YES	4-KD	NO	NO	NEG.		WINNEBAGO FLEETWOOD	**** RAP1363
AP8447	YES	4-ST	NO	NO	NEG.		NEWMAR COACHMAN	RAP8447
AP8604	YES	4-ST	YES	NO	NEG.			RAP8604
AP8687	YES	4-KD	YES	NO	NEG.	2-9000 # 2-16000 #	ELITE	**** RAP1368
AP9212	YES	4-ST	YES	NO	NEG.			RAP9212
AP9526	YES	3-ST	NO	NO	NEG.	3 JACKS	FLEETWOOD	RAP9526

- * PART NUMBER IS ON TOP OF BOX. NUMBER BEGINS WITH "AP" FOLLOWED BY 4 NUMERALS.
- ** SOME VEHICLES MAY HAVE DIFFERENT CONTROL BOXES.
- *** DOES NOT NEED NEW ACTUATORS
- **** NEEDS NEW STYLE ACTUATORS

HWH CONTROL UNIT | ELECTRONIC

“CONTROL BOX”

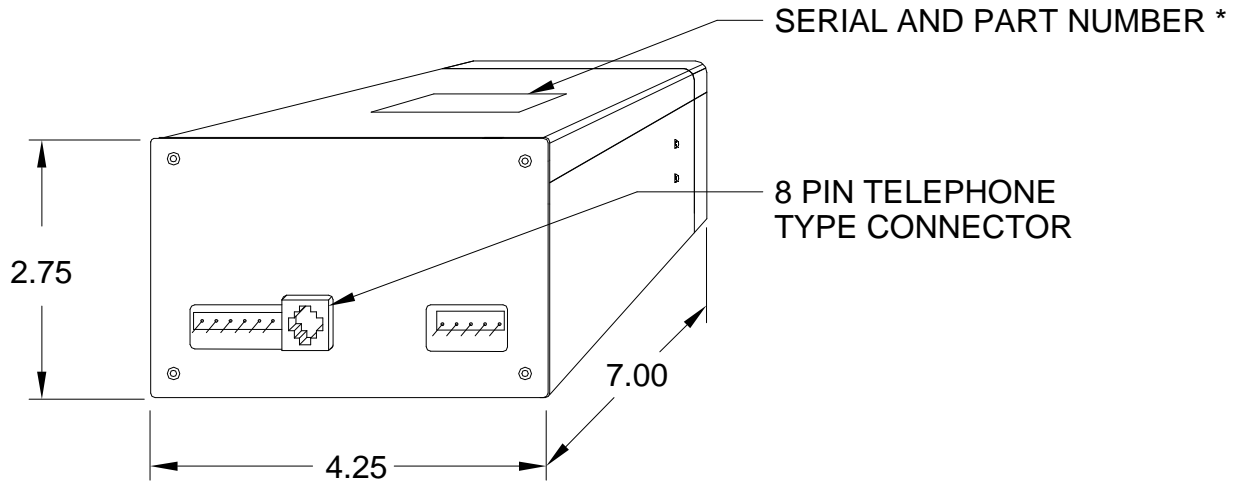
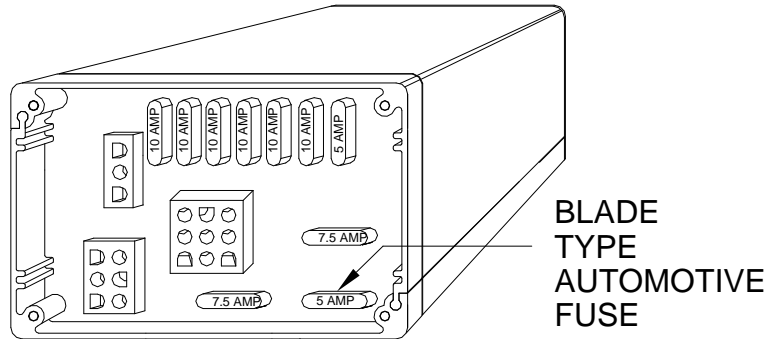
610 SERIES

COMPUTER / TOUCH PANEL-CONTROLLED LEVELING SYSTEMS (Air, Hyd & Air/Hyd)

METAL/PLEXI GLASS BOX | 2.75" x 4.25" x 7.00"

(File: MR154520.DOC | Revised: 29MAR19)

[Print Friendly PDF File](#)



REPLACEMENTS:

- > NEW OR REMANUFACTURED UNITS ARE NO LONGER AVAILABLE.
- > HWH MAY BE ABLE TO REPAIR YOUR EXISTING UNIT.
- > CONTACT HWH TO GET AN RGA NUMBER TO RETURN THE EXISTING UNIT TO HWH FOR REPAIR.

REPLACEMENT CONTROL BOXES

*EXISTING NUMBER	HYDRAULIC LEVELING	JACK SYTLE	AIR DUMP	AIR LEVELING	PARK SIGNAL	OPERATION FEATURES	COMMON APPLIC.	REPLACE NUMBER (R&R ONLY)
AP9800	YES	2-KD	YES	YES	NEG.	JET-AIR SUSPENSION	WINNEBAGO	RAP9800
AP9850	YES	4-KD	YES	YES	NEG.	JET-AIR SUSPENSION	WINNEBAGO	RAP9850

*PART NUMBER IS ON TOP OF BOX. NUMBER BEGINS WITH "AP" FOLLOWED BY 4 OR 5 NUMERALS.

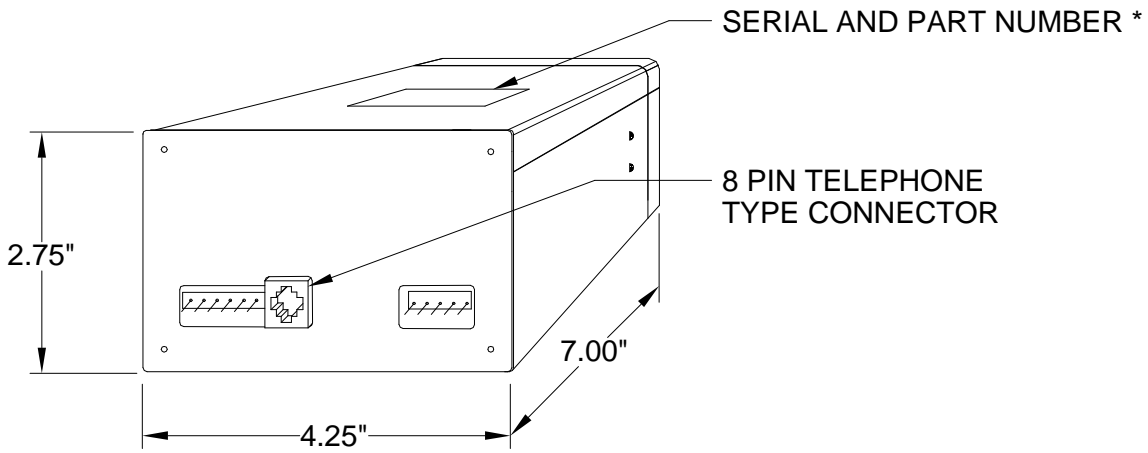
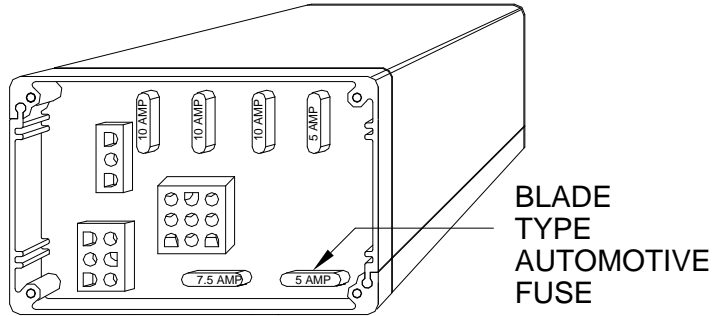
HWH CONTROL UNIT | ELECTRONIC

"CONTROL BOX" 610 SERIES

COMPUTER / TOUCH PANEL-CONTROLLED LEVELING SYSTEMS (Air, Hyd & Air/Hyd)
METAL/PLEXI GLASS BOX | 2.75" x 4.25" x 7.00"

(File: MR154530.DOC | Revised: 29MAR19)

[Print Friendly PDF File](#)



REPLACEMENTS:

- > NEW OR REMANUFACTURED UNITS ARE NO LONGER AVAILABLE.
- > HWH MAY BE ABLE TO REPAIR YOUR EXISTING UNIT.
- > CONTACT HWH TO GET AN RGA NUMBER TO RETURN THE EXISTING UNIT TO HWH FOR REPAIR.

REPLACEMENT CONTROL BOXES

*EXISTING NUMBER	HYDRAULIC LEVELING	JACK STYLE	AIR DUMP	AIR LEVELING	PARK SIGNAL	OPERATION FEATURES	**COMMON APPLIC.	REPLACE NUMBER (R&R ONLY)
AP9463	YES	4-ST	YES	NO	NONE	FIFTH WHEEL TRAILERS	ALFA LEISURE	RAP92025

- * PART NUMBER IS ON TOP OF BOX. NUMBER BEGINS WITH "AP" FOLLOWED BY 4 OR 5 NUMERALS.
- ** SOME VEHICLES MAY HAVE DIFFERENT CONTROL BOXES.

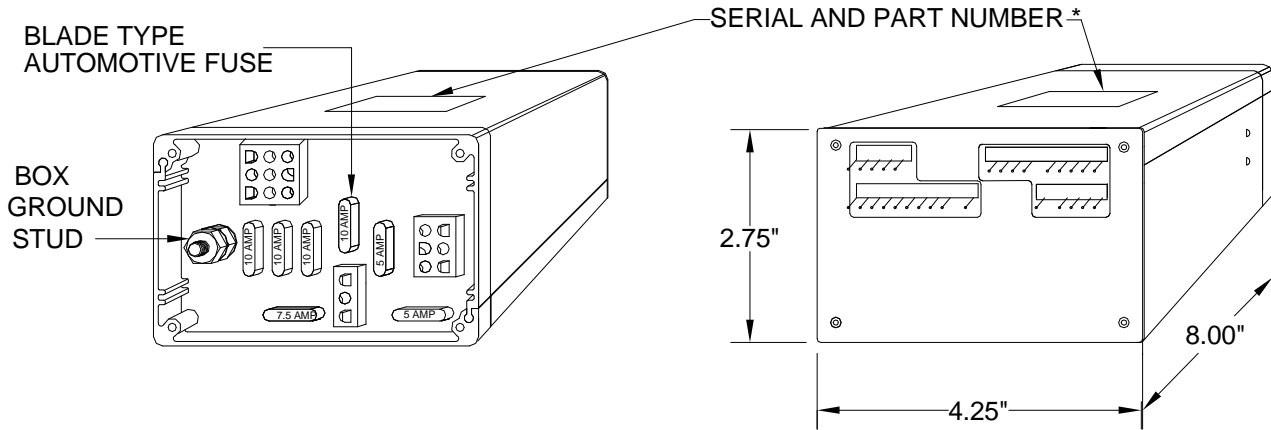
HWH CONTROL UNIT | ELECTRONIC

"CONTROL BOX" 610 SERIES

COMPUTER / TOUCH PANEL-CONTROLLED LEVELING SYSTEMS (Air, Hyd & Air/Hyd)
METAL/PLEXI GLASS BOX | 2.75" x 4.25" x 8.00"

(File: MR154600.DOC | Revised: 29MAR19)

[Print Friendly PDF File](#)



REPLACEMENTS:

- > NEW OR REMANUFACTURED UNITS ARE NO LONGER AVAILABLE.
- > HWH MAY BE ABLE TO REPAIR YOUR EXISTING UNIT.
- > CONTACT HWH TO GET AN RGA NUMBER TO RETURN THE EXISTING UNIT TO HWH FOR REPAIR.

REPLACEMENT CONTROL BOXES

*EXISTING NUMBER	HYDRAULIC LEVELING	JACK STYLE	AIR DUMP	AIR LEVELING	PARK SIGNAL	OPERATION FEATURES	**COMMON APPLIC.	REPLACE NUMBER (R & R ONLY)
AP0984	YES	4-KD	NO	NO	NEG.			RAP0984
AP1079	YES	4-ST	YES	NO	NEG.			RAP1079
AP1111	YES	4-ST	NO	NO	NEG.		NEWMAR COACHMAN	RAP1111
AP1227	YES	4-KD	YES	NO	NEG.	2-9000 # 2-16000 #		RAP1227
AP1290	YES	4-KD	NO	NO	NEG.	2-9000 # 2-16000 #		RAP1290
AP1292	YES	4-KD	YES	NO	NEG.			RAP1292
AP1503	YES	SPEC.	YES	NO	NEG.	UNIBODY	FORETRAVEL	RAP1503
AP1757	YES	4-KD	NO	NO	POS.	2-9000 # 2-16000 #		RAP1757
AP2078	YES	4-ST	NO	NO	NEG.	SINGLE JACK	NASA	RAP2078
AP2219	YES	4-ST	YES	NO	NEG.		MOEX	RAP90529
AP10089	YES	4-ST	NO	NO	POS.		EAGLE BUS	RAP90532
AP10284	YES	4-ST	YES	NO	NEG.			RAP91995
AP12209	YES	4-ST	YES	NO	NEG.	PILOT AIR DUMP	WINNEBAGO	RAP90304
AP16963	YES	4-ST	YES	NO	NEG.	PILOT AIR DUMP		RAP90533
AP18482	YES	4-ST	YES	NO	NEG.		NEWMAR	RAP90534

* PART NUMBER IS ON TOP OF BOX. NUMBER BEGINS WITH "AP" FOLLOWED BY 4 OR 5 NUMERALS.

** SOME VEHICLES MAY HAVE DIFFERENT CONTROL BOXES.

HWH CONTROL UNIT | ELECTRONIC

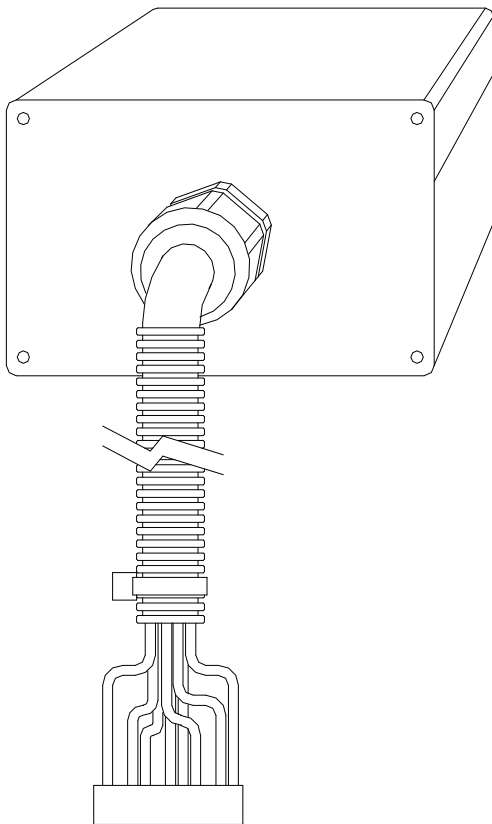
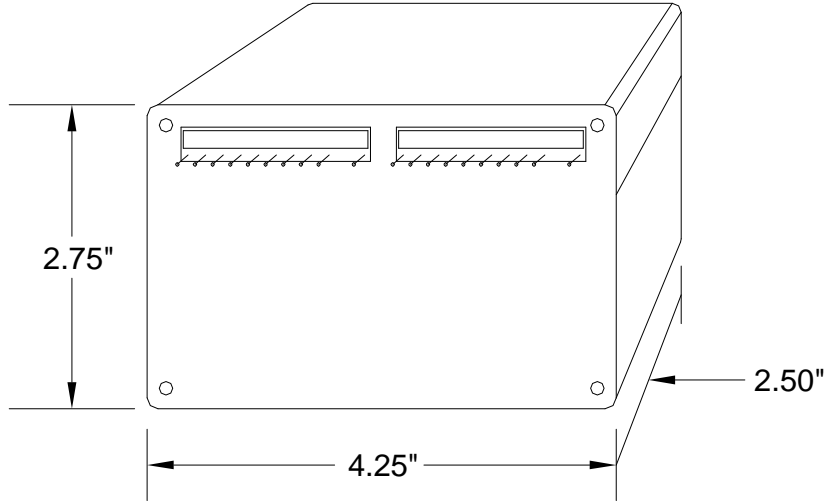
“CONTROL BOX” 610 SERIES

COMPUTER / TOUCH PANEL-CONTROLLED LEVELING SYSTEMS (Air, Hyd & Air/Hyd)

METAL/PLEXI GLASS BOX | 2.75" x 4.25" x 2.50"

(File: MR154700.DOC | Revised: 11JUN18)

[Print Friendly PDF File](#)



THE TOUCH PANEL INTERFACE IS NEEDED TO OPERATE THE SYSTEM WHEN TWO TOUCH PANELS, AT DIFFERENT LOCATIONS ON THE VEHICLE, ARE USED. A STANDARD TOUCH PANEL FOR A 610 SERIES CENTRAL GROUND SYSTEM WILL NOT WORK WITH THE TOUCH PANEL INTERFACE. A SPECIAL TOUCH PANEL IS NEEDED. SEE CONTROL PANELS – COMPUTER CONTROLLED LEVELING SYSTEMS – REMOTE TOUCH PANELS (WITH CABLE ASSEMBLY), FOR CORRECT TOUCH PANEL.

EXISTING NO.	REPLACEMENT NO.
AP11420	RAP90843

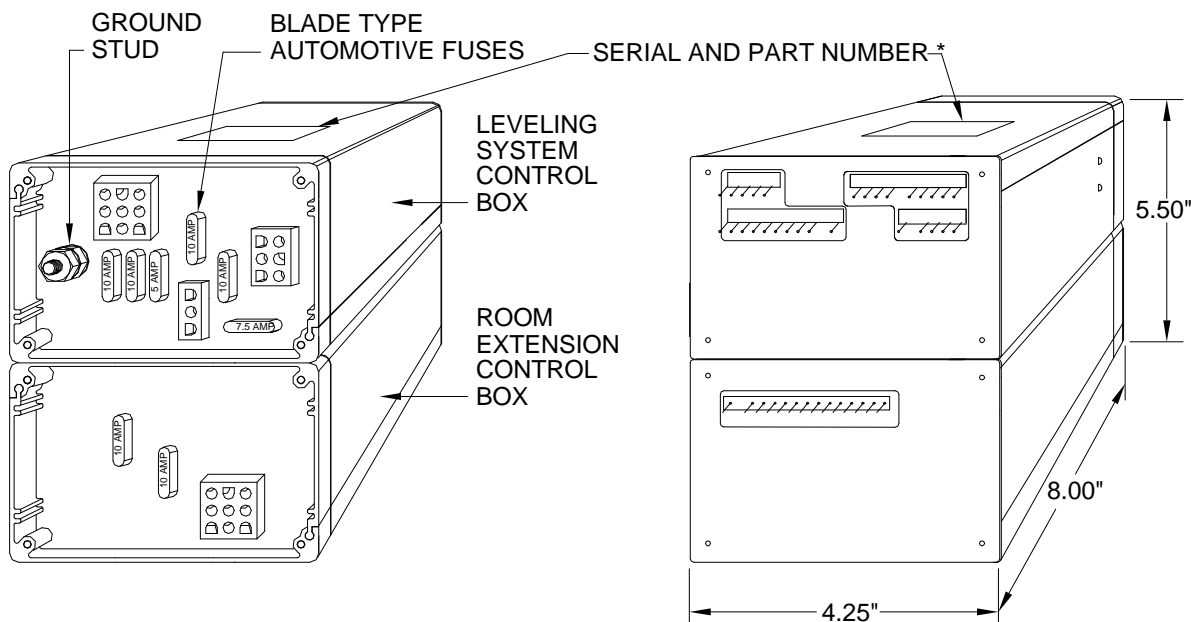
HWH CONTROL UNIT | ELECTRONIC

"CONTROL BOX" 610 SERIES

COMPUTER / TOUCH PANEL-CONTROLLED LEVELING SYSTEMS (Air, Hyd & Air/Hyd)
METAL/PLEXI GLASS BOX | 5.50" x 4.25" x 8.00"

(File: MR154800.DOC | Revised: 26APR19)

[Print Friendly PDF File](#)



REPLACEMENTS:

- > NEW OR REMANUFACTURED UNITS ARE NO LONGER AVAILABLE.
- > HWH MAY BE ABLE TO REPAIR YOUR EXISTING UNIT.
- > CONTACT HWH TO GET AN RGA NUMBER TO RETURN THE EXISTING UNIT TO HWH FOR REPAIR.

REPLACEMENT CONTROL BOXES

*EXISTING NUMBER	HYDRAULIC LEVELING	JACK STYLE	AIR DUMP	AIR LEVELING	PARK SIGNAL	OPERATION FEATURES	**COMMON APPLIC.	REPLACE NUMBER (R & R ONLY)
AP10846	YES	4-ST	NO	NO	NEG.	1 ROOM EXTENSION	WINNEBAGO	RAP90094
AP11537	YES	4-ST	NO	NO	NEG.	2 ROOM EXTENSIONS		RAP90531
AP11228	YES	4-ST	YES	NO	NEG.	1 ROOM EXTENSION	WINNEBAGO	RAP90095
AP12555	YES	4-KD	NO	NO	NEG.	1 ROOM EXTENSION		RAP90535
AP13328	YES	4-ST	PILOT DUMP	NO	NEG.	1 ROOM EXTENSION	WINNEBAGO	RAP90305
AP14045	YES	4-ST	YES	NO	NEG.	2 ROOM EXTENSIONS	WESTERN	RAP90380
AP18964	YES	4-ST	PILOT DUMP	NO	NEG.	1 ROOM EXTENSION	TRIPLE-E	RAP90834
AP19911	YES	4-ST	YES	NO	NEG.	1 ROOM EXTENSION	LIFELINE SHELTER	RAP91997

- * PART NUMBER IS ON TOP OF BOX. NUMBER BEGINS WITH "AP" FOLLOWED BY 4 OR 5 NUMERALS.
- ** SOME VEHICLES MAY HAVE DIFFERENT CONTROL BOXES.

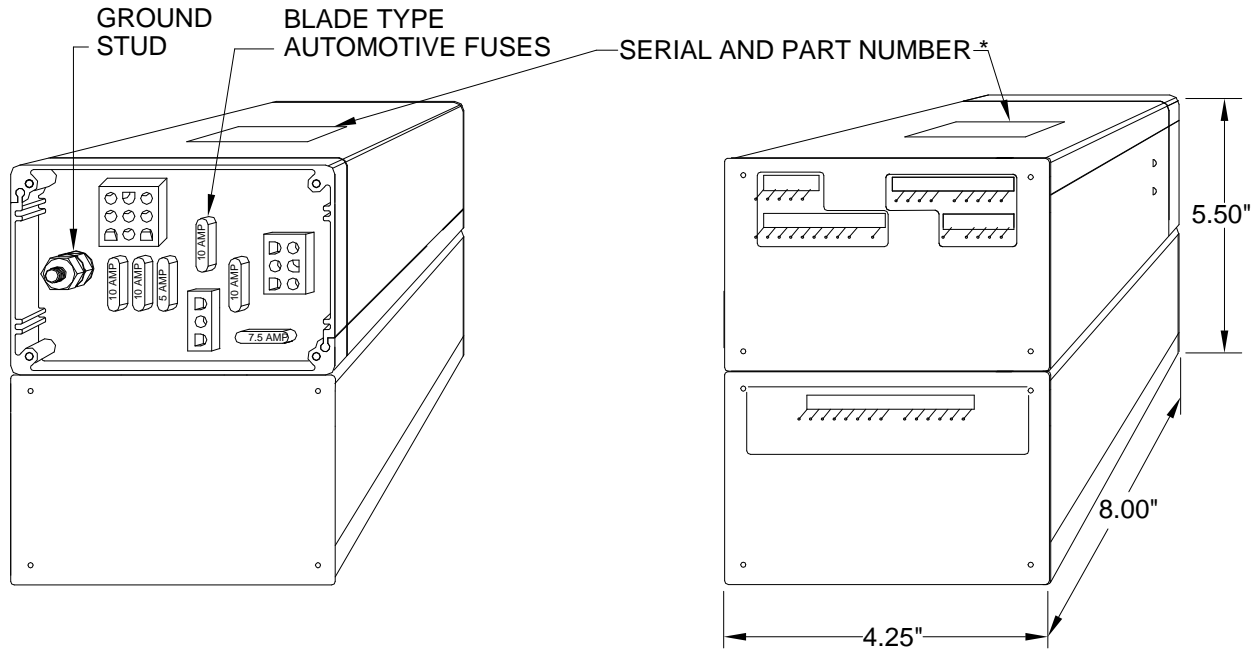
HWH CONTROL UNIT | ELECTRONIC

"CONTROL BOX" 610 SERIES

COMPUTER / TOUCH PANEL-CONTROLLED LEVELING SYSTEMS (Air, Hyd & Air/Hyd)
METAL/PLEXI GLASS BOX | 5.50" x 4.25" x 8.00"

(File: MR154900.DOC | Revised: 29MAR19)

[Print Friendly PDF File](#)



REPLACEMENTS:

- > NEW OR REMANUFACTURED UNITS ARE NO LONGER AVAILABLE.
- > HWH MAY BE ABLE TO REPAIR YOUR EXISTING UNIT.
- > CONTACT HWH TO GET AN RGA NUMBER TO RETURN THE EXISTING UNIT TO HWH FOR REPAIR.

REPLACEMENT CONTROL BOXES

*EXISTING NUMBER	HYDRAULIC LEVELING	JACK STYLE	AIR DUMP	AIR LEVELING	PARK SIGNAL	REPLACE NUMBER (R & R ONLY)
AP18766	YES	6-ST	NO	NO	NEG.	RAP92024

*PART NUMBER IS ON TOP OF BOX. NUMBER BEGINS WITH "AP" FOLLOWED BY 5 NUMERALS.

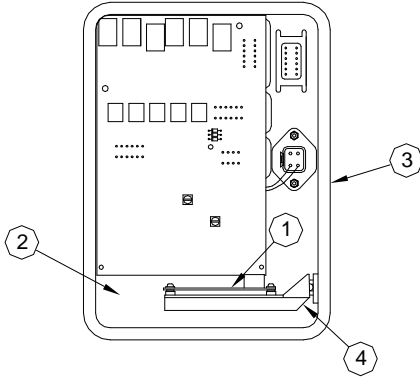
HWH CONTROL UNIT | ELECTRONIC

“CONTROL BOX” 625 SERIES

COMPUTER / TOUCH PANEL-CONTROLLED LEVELING SYSTEMS (Air, Hyd & Air/Hyd)
METAL/PLEXI GLASS BOX | 8.50” x 11.50”

(File: MR155000.DOC | Revised: 11JUN18)

[Print Friendly PDF File](#)



REPLACEMENT PARTS

ITEM	PART	DESCRIPTION
1	RAP91172	SENSING UNIT
2	RAP91932	CLEAR POLY COVER
3	RP92193	RETAINER SEAL (QTY 1)
4	SEE > MR452005.HTML	FOR SENSING UNIT MOUNTING HDWE INFO.
	R90925	5 AMP FUSE
	R90927	10 AMP FUSE
	R90928	15 AMP FUSE

NOTE: FUSES ARE SOLD IN QUANTITIES OF FIVE.

EXISTING ASSEMBLY AP #	VARIABLES			
	JACK STYLE	SUSPENSION	ROOMS	GLASS
AP28215	SA	AIR-DUMP		EAST
AP29377	SA	SPRING		SOUTH
AP29407	SA	AIR-DUMP		WEST
AP29534	SA	AIR-DUMP	3 OR 4	EAST
AP29814	SA	SPRING		WEST
AP29887	SA	SPRING		EAST
AP29941	SA	AIR-DUMP		NORTH
AP29942	KD	SPRING		PROG
AP30012	SA	AIR-DUMP		PROG
AP30013	SA	SPRING		PROG
AP30125	SA	AIR-DUMP	1 OR 2	NORTH
AP30126	SA	AIR-DUMP	3 OR 4	NORTH
AP30228	SA	AIR-DUMP	1 OR 2	EAST
AP30516	SA	SPRING		NORTH
AP30782	SA	AIR-DUMP	1 OR 2	WEST
AP30831	SA	SPRING	1 OR 2	WEST
AP30852	KD	SPRING	1 OR 2	SOUTH
AP30934	SA	SPRING	3 OR 4	WEST
AP31182	KD	SPRING		SOUTH
AP31403	SA	AIR-DUMP		SOUTH
AP31714	SA	SPRING	1 OR 2	PROG
AP31749	KD	SPRING		WEST
AP31752	SA	AIR-DUMP		WEST
AP31818	SA	SPRING	1 OR 2	WEST
AP31824	SA	SPRING	1 OR 2	NORTH
AP32229	SA	SPRING	3 OR 4	PROG
AP32231	SA	AIR-DUMP	1 OR 2	PROG
AP32233	SA	AIR-DUMP	3 OR 4	PROG
AP33129	SA	SPRING		WEST
AP33233	KD	SPRING		NORTH
AP33396	SA	AIR-DUMP	5 OR 6	PROG
AP33414	SA	AIR-DUMP	5 OR 6	NORTH
AP33424	SA	AIR-DUMP	*1 OR 2	EAST
AP33425	SA	AIR-DUMP	*3 OR 4	NORTH
AP33606	SA	SPRING-SPECIAL LEVELING PROGRAM	1 OR 2	PROG
AP33814	SA	AIR-DUMP	5 OR 6	PROG
AP34653	SA	AIR-DUMP	1 OR 2	SOUTH
AP35325	SA	AIR-DUMP		NORTH
AP35835	SA	SPRING	1 OR 2	EAST

REPLACEMENT ASSEMBLY PART #	ID DECAL PART #
RAP91303	AP30012
RAP91302	AP30013
RAP91303	AP30012
RAP91267	AP32233
RAP91302	AP30013
RAP91302	AP30013
RAP91303	AP30012
RAP91304	AP29942
RAP91303	AP30012
RAP91302	AP30013
RAP91256	AP32231
RAP91267	AP32233
RAP91256	AP32231
RAP91302	AP30013
RAP91256	AP32231
RAP91260	AP31714
RAP91276	AP30852
RAP91271	AP32229
RAP91304	AP29942
RAP91303	AP30012
RAP91260	AP31714
RAP91304	AP29942
RAP91303	AP30012
RAP91260	AP31714
RAP91271	AP32229
RAP91256	AP32231
RAP91267	AP32233
RAP91302	AP30013
RAP91304	AP29942
RAP91578	AP33814
RAP91578	AP33814
RAP91256	AP32231
RAP91267	AP32233
RAP91577	AP33606
RAP91578	AP33814
RAP91256	AP32231
RAP91303	AP30012
RAP91260	AP31714

AP35858	SA	AIR-DUMP	1,2, OR 3W/ STEP COVER	WEST
AP36292-24V	KD	SPRING		PROG
AP36705	SA	AIR-DUMP	1 OR 2	WEST
AP37601-24V	SA	SPRING		PROG
AP41155	SA	AIR-DUMP	3 OR 4	WEST
AP41840	KD	REMOTE SENSOR		N/A

RAP92012	AP35858
RAP91761	AP36292
RAP91256	AP32231
RAP91815	AP37601
RAP91267	AP32233
RAP92210	AP41840

*NOTE: AP33424 AND AP33425 MUST HAVE ACCESSORY OR IGNITION POWER TO OPERATE THE ROOMS. THE REPLACEMENT BOX WILL OPERATE THE ROOMS IN ANY KEY POSITION.

THE "**GLASS**" COLUMN REFERS TO THE DIRECTION THE PLEXIGLASS SIDE OF THE CONTROL BOX IS FACING. THE FRONT OF THE COACH IS ALWAYS NORTH. "**PROG**" INDICATES THAT THIS (AP ASSEMBLY) COMES WITH A PROGRAMMABLE SENSING UNIT.

REPLACEMENT ASSEMBLIES WILL HAVE PROGRAMMABLE SENSING UNITS USING JUMPERS TO RECREATE THE ORIGINAL INSTALLATION GLASS DIRECTION AND SUSPENSION VARIABLES. REFER TO INSTRUCTION SHEET SUPPLIED WITH REPLACEMENT BOX.

WHEN REPLACING AN EXISTING 625 ASSEMBLY, ORDER BY THE **REPLACEMENT "ASSEMBLY PART #"** LISTED ABOVE UNLESS OTHERWISE AUTHORIZED BY AN HWH REPRESENTATIVE.

ORDER BY THE REPLACEMENT #, BUT BE AWARE THAT THE ID DECAL LOCATED ON THE OUTSIDE OF THE ASSEMBLY, WILL NOT REFLECT THE RAP#. THE ID DECAL WILL EITHER REFLECT THE "**EXISTING ASSEMBLY AP #**" OR THE **REPLACEMENT "ID DECAL AP #"** LISTED.

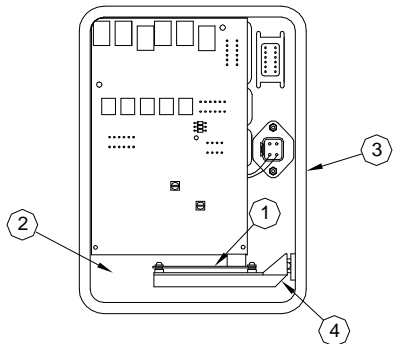
HWH CONTROL UNIT | ELECTRONIC

“CONTROL BOX” 625S SERIES

COMPUTER / TOUCH PANEL-CONTROLLED LEVELING SYSTEMS (Air, Hyd & Air/Hyd)
METAL/PLEXI GLASS BOX | 8.50” x 11.50”

(File: MR155010.DOC | Revised: 11JUN18)

[Print Friendly PDF File](#)



REPLACEMENT PARTS

ITEM	PART	DESCRIPTION
1	RAP91172	SENSING UNIT
2	RAP91932	CLEAR POLY COVER
3	RP92193	RETAINER SEAL (QTY 1)
4	SEE > MR452005.HTML	FOR SENSING UNIT MOUNTING HDWE INFO.
	R90925	5 AMP FUSE
	R90927	10 AMP FUSE
	R90928	15 AMP FUSE

NOTE: FUSES ARE SOLD IN QUANTITIES OF FIVE.

EXISTING ASSEMBLY AP #	VARIABLES			
	JACK STYLE	SUSPENSION	ROOMS	GLASS
AP34756-24V	SA	SPRING		SOUTH
AP35796	SA	2 JACK SYSTEM		N/A
AP36236-24V	SA	SPRING	1 OR 2	WEST
AP36467	SA	SPRING	1 OR 2	WEST
AP36595	SA	SPRING		SOUTH
AP36764	SA	AIR-DUMP	1 OR 2	NORTH
AP36765	SA	SPRING	3 OR 4	WEST
AP36769	SA	AIR-DUMP	3 OR 4	NORTH
AP36917	SA	SPRING		PROG
AP36918	SA	SPRING	1 OR 2	PROG
AP36919	SA	AIR-DUMP	1 OR 2	PROG
AP36920	SA	SPRING	3 OR 4	PROG
AP36921	SA	AIR-DUMP	3 OR 4	PROG
AP36922-24V	SA	SPRING		PROG
AP36923-24V	SA	SPRING	1 OR 2	PROG
AP37319	SA	SPRING	1 OR 2	SOUTH
AP37342-24V	SA	PROGRAMMABLE		PROG
AP37402	SA	PROGRAMMABLE		PROG
AP37501	SA	SPRING		WEST
AP37503	SA	AIR-DUMP	1 OR 2	SOUTH
AP37516	SA	SPRING	1 OR 2	EAST
AP37517	SA	SPRING	1 OR 2	WEST
AP37547	SA	PROGRAMMABLE	1 OR 2	WEST
AP37599	SA	PROGRAMMABLE	1 OR 2	PROG
AP37621	SA	AIR-DUMP		WEST
AP37629	SA	AIR-DUMP		SOUTH
AP37682	SA	AIR-DUMP		PROG
AP37703	SA	AIR-DUMP	3 OR 4	SOUTH
AP37778	SA	AIR-DUMP	1 OR 2	WEST
AP37784	SA	PROGRAMMABLE	3 OR 4	PROG
AP38073	SA	AIR-DUMP	1, 2 OR 3 W/ STEP COVER	WEST
AP38107	SA	SPRING	1 OR 2	NORTH
AP38236	SA	AIR-DUMP	1 OR 2	EAST
AP38247	SA	AIR-DUMP	3 OR 4	EAST
AP39658	SA	SPRING	3 OR 4	SOUTH
AP39890	SA	AIR-DUMP	* 3 OR 4	WEST
AP39936	SA	AIR-DUMP		EAST
AP40215	SA	SPRING		NORTH

REPLACEMENT ASSEMBLY PART #	ID DECAL PART #
RAP91767	AP36922
RAP91743	AP35796
RAP91768	AP36923
RAP91763	AP36918
RAP91762	AP36917
RAP91764	AP36919
RAP91765	AP36920
RAP91766	AP36921
RAP91762	AP36917
RAP91763	AP36918
RAP91764	AP36919
RAP91765	AP36920
RAP91766	AP36921
RAP91767	AP36922
RAP91768	AP36923
RAP91763	AP36918
RAP91811	AP37342
RAP91812	AP37402
RAP91762	AP36917
RAP91764	AP36919
RAP91763	AP36918
RAP91763	AP36918
RAP91814	AP37599
RAP91814	AP37599
RAP91810	AP37682
RAP91810	AP37682
RAP91810	AP37682
RAP91766	AP36921
RAP91764	AP36919
RAP91813	AP37784
RAP92013	AP38073
RAP91763	AP36918
RAP91764	AP36919
RAP93318	AP38247
RAP91765	AP36920
RAP91766	AP36921
RAP91810	AP37682
RAP91762	AP36917

AP40514	SA	SPRING	1, 2 OR 3 W/ STEP COVER	WEST
AP40940	SA	AIR-DUMP		NORTH
AP41004	SA	SPRING	1, 2 OR 3 W/ STEP COVER	PROG
AP41034	SA	SPRING	4 OR 5 W/ STEP COVER	PROG
AP41211	SA	REM. SENS.-DUMP		N/A
AP41276	SA	REM. SENS.-DUMP	1 OR 2	N/A
AP43159	SA	SPRING	3 OR 4	NORTH
AP43478-24V	SA	REM. SENS.-SPRING		N/A
AP44468-24V	SA	AIR-DUMP	1 OR 2	PROG
AP47154	SA	SPRING		EAST

RAP92204	AP41004
RAP91810	AP37682
RAP92204	AP41004
RAP92205	AP41034
RAP92208	AP41211
RAP92209	AP41276
RAP91765	AP36920
RAP92321	AP43478
RAP92975	AP44468
RAP91762	AP36917

* NOTE: AP39890 MUST HAVE ACCESSORY OR IGNITION POWER TO OPERATE THE ROOMS. THE REPLACEMENT BOX WILL OPERATE THE ROOMS IN ANY KEY POSITION.

THE "**GLASS**" COLUMN REFERS TO THE DIRECTION THE PLEXIGLASS SIDE OF THE CONTROL BOX IS FACING. THE FRONT OF THE COACH IS ALWAYS NORTH. "**N/A**" INDICATES THIS ASSEMBLY HAS NO SENSING UNIT. "**PROG**" INDICATES THAT THIS (AP ASSEMBLY) COMES WITH A PROGRAMMABLE SENSING UNIT.

REPLACEMENT ASSEMBLIES WILL HAVE PROGRAMMABLE SENSING UNITS USING JUMPERS TO RECREATE THE ORIGINAL INSTALLATION GLASS DIRECTION AND SUSPENSION VARIABLES. REFER TO INSTRUCTION SHEET SUPPLIED WITH REPLACEMENT BOX.

WHEN REPLACING AN EXISTING 625S ASSEMBLY, ORDER BY THE **REPLACEMENT "ASSEMBLY PART #"** LISTED ABOVE UNLESS OTHERWISE AUTHORIZED BY AN HWH REPRESENTATIVE.

ORDER BY THE REPLACEMENT #, BUT BE AWARE, THAT THE ID DECAL LOCATED ON THE OUTSIDE OF THE ASSEMBLY WILL NOT REFLECT THE RAP #. THE ID DECAL WILL EITHER REFLECT THE "**EXISTING ASSEMBLY AP#**" OR THE **REPLACEMENT "ID DECAL AP#"** LISTED.

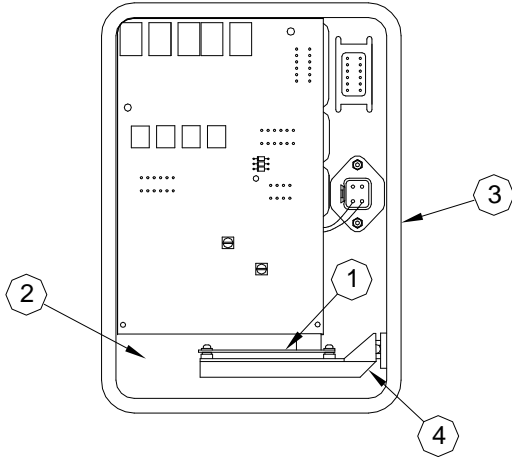
HWH CONTROL UNIT | ELECTRONIC

"CONTROL BOX" 625/625S SERIES

COMPUTER / TOUCH PANEL-CONTROLLED LEVELING SYSTEMS (Air, Hyd & Air/Hyd)
METAL/PLEXI GLASS BOX | 8.50" x 11.50"

(File: MR155030.DOC | Revised: 11JUN18)

[Print Friendly PDF File](#)



REPLACEMENT PARTS

ITEM	PART	DESCRIPTION
1	RAP91172	SENSING UNIT
2	RAP91932	CLEAR POLY COVER
3	RP92193	RETAINER SEAL (QTY 1)
4	SEE > MR452005.HTML	FOR SENSING UNIT MOUNTING HDWE INFO.
	R90924	3 AMP FUSE
	R90925	5 AMP FUSE
	R90926	7.5 AMP FUSE
	R90927	10 AMP FUSE
	R90928	15 AMP FUSE

NOTE: FUSES ARE SOLD IN QUANTITIES OF FIVE.

EXISTING ASSEMBLY AP #	VARIABLES			
	SERIES	SUSPENSION	ROOMS	GLASS
AP37689	625	SPRING	1 OR 2	NORTH
AP38165	625	SPRING		WEST
AP38220	625	SPRING		PROG
AP38660 – 24V	625S	SEMI TRAILER	1 OR 2	PROG
AP38837	625S	SEMI TRAILER		PROG
AP40237 – 24V	625S	SEMI TRAILER	3 OR 4	PROG
AP41329	625	SPRING	3 OR 4	PROG
AP41414	625	SPRING	1 OR 2	PROG
AP42294	625S	SEMI TRAILER	3 OR 4	PROG
AP42385	625	SPRING		NORTH

REPLACEMENT ASSEMBLY PART #	ID DECAL PART #
RAP92207	AP41414
RAP92014	AP38220
RAP92014	AP38220
RAP92017	AP38660
RAP92015	AP38837
RAP92206	AP40237
RAP92232	AP41329
RAP92207	AP41414
RAP92251	AP42294
RAP92014	AP38220

THE "GLASS" COLUMN REFERS TO THE DIRECTION THE PLEXIGLASS SIDE OF THE CONTROL BOX IS FACING. THE FRONT OF THE COACH IS ALWAYS NORTH. "PROG" INDICATES THAT THIS (AP ASSEMBLY) COMES WITH A PROGRAMMABLE SENSING UNIT.

REPLACEMENT ASSEMBLIES WILL HAVE PROGRAMMABLE SENSING UNITS USING JUMPERS TO RECREATE THE ORIGINAL INSTALLATION GLASS DIRECTION AND SUSPENSION VARIABLES. REFER TO INSTRUCTION SHEET SUPPLIED WITH REPLACEMENT BOX.

WHEN REPLACING AN EXISTING 625 OR 625S ASSEMBLY, ORDER BY THE **REPLACEMENT "ASSEMBLY PART #"** LISTED ABOVE UNLESS OTHERWISE AUTHORIZED BY AN HWH REPRESENTATIVE.

ORDER BY THE REPLACEMENT #, BUT BE AWARE THAT THE ID DECAL LOCATED ON THE OUTSIDE OF THE ASSEMBLY, WILL NOT REFLECT THE RAP#. THE ID DECAL WILL EITHER REFLECT THE "EXISTING ASSEMBLY AP #" OR THE **REPLACEMENT "ID DECAL AP #"** LISTED.

HWH CONTROL UNIT | ELECTRONIC

“MIOM ASSEMBLY”

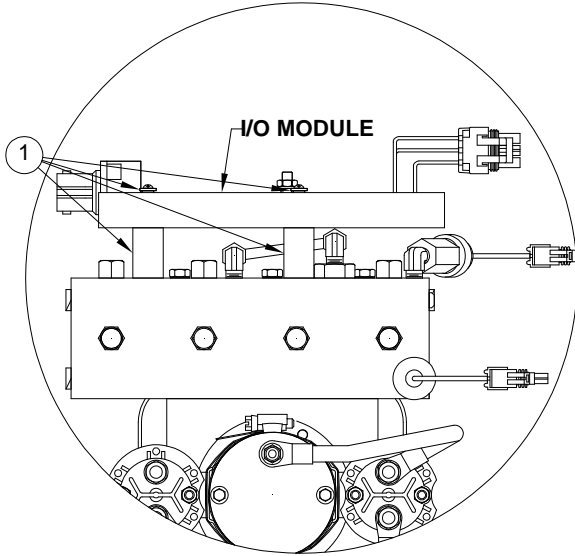
725 SERIES

COMPUTER / TOUCH PANEL-CONTROLLED LEVELING SYSTEMS (Air, Hyd & Air/Hyd)

(File: MR155100.DOC | Revised: 19JUN18)

[Print Friendly PDF File](#)

REPLACEMENT PARTS



ITEM	PART	DESCRIPTION
1	RAP93017	MOUNTING KIT (INCLUDES HARDWARE)
NOTE:		REPLACEMENT MODULES INCL. ITEM 1.
	R90289	40 AMP FUSE (PACKAGE OF FIVE)
	RP90296	40 AMP FUSEHOLDER

COMPLETE ASSEMBLY	ASSEMBLY REPLACEMENT	DESCRIPTION
AP45494	RAP92751	FOR PUMPS WITHOUT A ROOM MANIFOLD
AP47627	RAP92752	FOR PUMPS WITH A ROOM MANIFOLD
AP49063	RAP93014	FOR 8 VALVE MANIFOLDS / HAND PUMPS

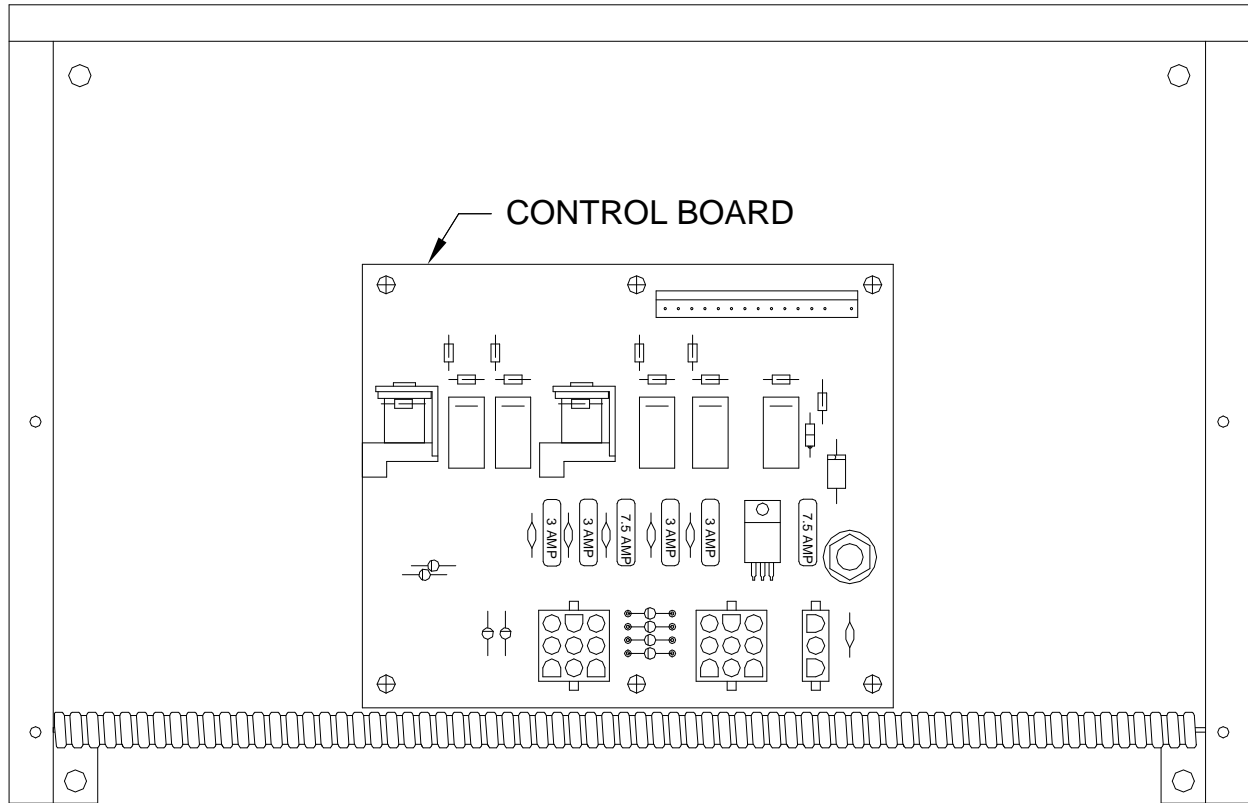
HWH CONTROL UNIT | ELECTRONIC

“CONTROL BOX” 300 SERIES

COMPUTER / TOUCH PANEL-CONTROLLED LEVELING SYSTEMS (Air, Hyd & Air/Hyd)
METAL/PLEXI GLASS BOX | 9.00” x 14.00”

(File: MR156000.DOC | Revised: 11JUN18)

[Print Friendly PDF File](#)



SOME COACHES USE THE CONTROL BOARD ONLY.

CONTROL BOX COMPLETE

EXISTING NUMBER	DESCRIPTION	REPLACEMENT NUMBER
AP2255 (CTRL BOX)	3 – POINT MANUAL AIR LEVELING	RAP91994 (CTRL BOX 300 MA-3PT)
AP2514 (CTRL BOX)	4 – POINT MANUAL AIR LEVELING	RAP90258 (CTRL BOX 300 MA-4PT)

(PCB) CONTROL BOARD ONLY

EXISTING NUMBER	DESCRIPTION	REPLACEMENT NUMBER
AP1495 (PCB ASSEMBLY)	3 – POINT MANUAL AIR LEVELING	RAP90028 (PCB ASY 300 MA-3PT)
AP11053 (PCB ASSEMBLY)	4 – POINT MANUAL AIR LEVELING	RAP90257 (PCB ASY 300 MA-4PT)

HWH CONTROL UNIT | ELECTRONIC

“CONTROL BOX” 680 SERIES

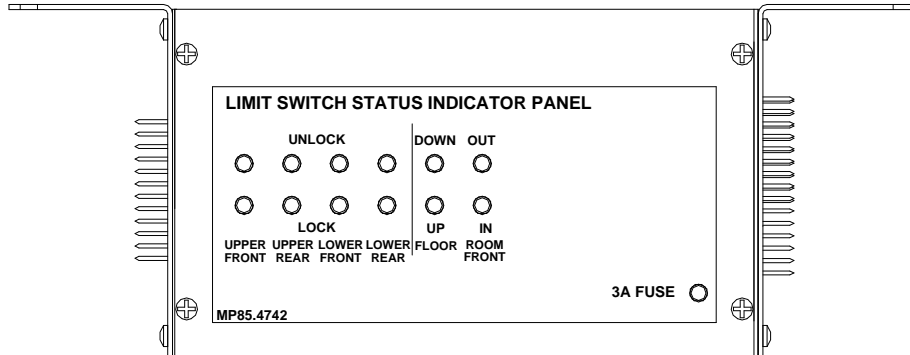
COMPUTER / TOUCH PANEL-CONTROLLED LEVELING SYSTEMS (Air, Hyd & Air/Hyd)

METAL/PLEXI GLASS BOX

(File: MR156605.DOC | Revised: 07JUN18)

[Print Friendly PDF File](#)

680 SERIES



REPLACEMENTS:
 ? NEW OR
 REMANUFACTURED UNITS
 ARE NO LONGER
 AVAILABLE.
 ? HWH MIGHT BE ABLE TO
 REPAIR YOUR EXISTING
 UNIT.
 ? CONTACT HWH TO GET
 AN RGA NUMBER TO
 RETURN THE EXISTING
 UNIT FOR REPAIR.

NOTE: SOME BOXES USE DEUTSCH CONNECTORS. SEE THE CHART BELOW FOR MORE INFORMATION.

ALL BOXES USE R90283 FUSE. SOLD IN PACKAGES OF FIVE.

REPLACEMENT BOXES

*EXISTING NUMBER	CONNECTOR STYLE	REPLACEMENT NUMBER
AP18441	MTA	OBS
AP18505	MTA	OBS
AP19347	MTA	OBS
AP19439	MTA	OBS
AP19573	MTA	OBS
AP19880	MTA	OBS
AP20100	DEUTSCH	OBS
AP20329	DEUTSCH	OBS
AP20341	DEUTSCH	OBS
AP20374	MTA	OBS
AP20535	MTA	OBS
AP20537	MTA	OBS
AP20668	DEUTSCH	OBS
AP20675	DEUTSCH	OBS
AP21508	DEUTSCH	OBS
AP22354	DEUTSCH	OBS
AP22358	DEUTSCH	OBS
AP25256	DEUTSCH	OBS

* PART NUMBER IS ON LEFT OR RIGHT SIDE OF BOX. NUMBER BEGINS WITH "AP" FOLLOWED BY 5 NUMERALS.

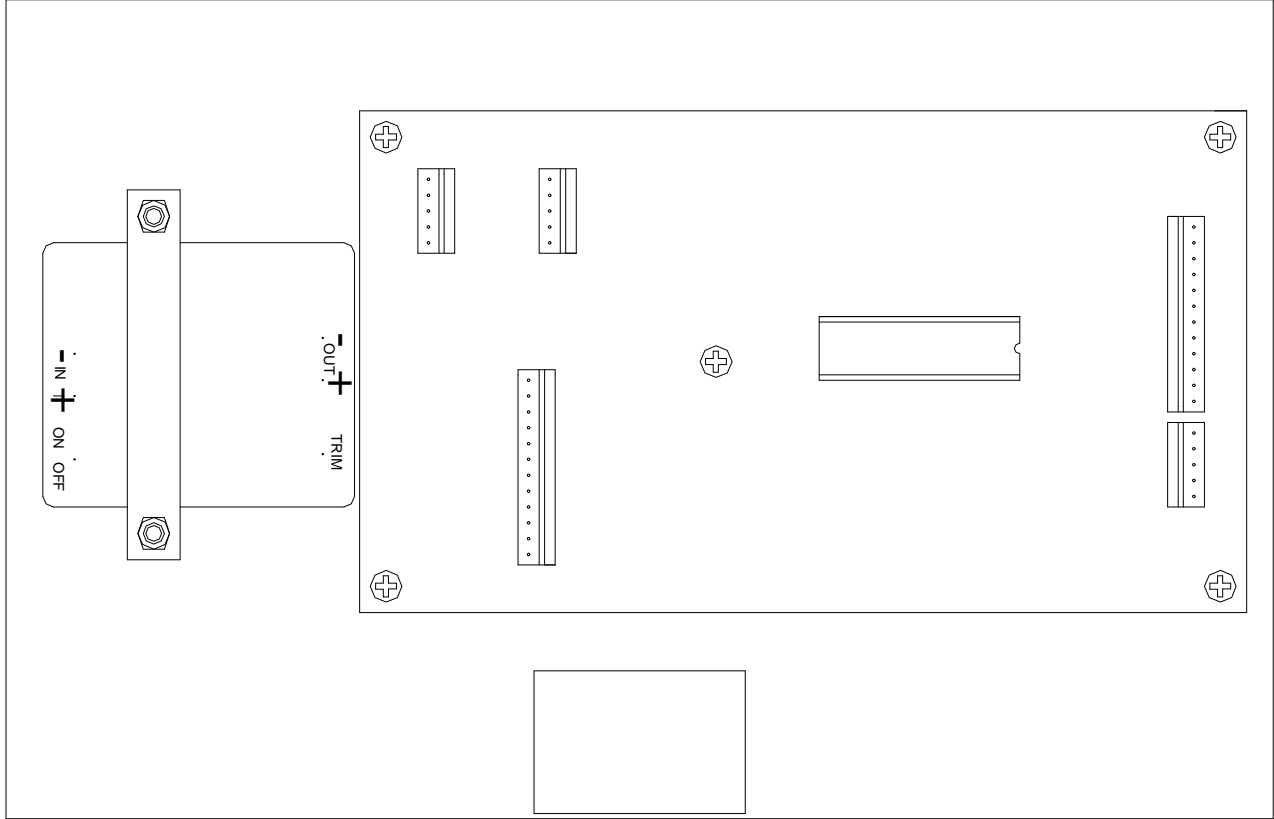
HWH CONTROL UNIT | ELECTRONIC

“CONTROL BOX” 500 SERIES

COMPUTER / TOUCH PANEL-CONTROLLED LEVELING SYSTEMS (Air, Hyd & Air/Hyd)

(File: MR156100.DOC | Revised: 29MAR19)

[Print Friendly PDF File](#)



THIS BOARD IS USED FOR COUNTRY COACH PREVOST CONVERSIONS.
THIS IS FOR **AIR LEVELING ONLY**.

> NEW OR REMANUFACTURED UNITS ARE NO LONGER AVAILABLE.

> HWH MAY BE ABLE TO REPAIR YOUR EXISTING UNIT.

> CONTACT HWH TO GET AN RGA NUMBER TO RETURN THE EXISTING UNIT TO HWH FOR REPAIR.

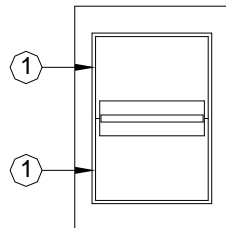
EXISTING NUMBER	REPLACEMENT NUMBER (R & R ONLY)
-----------------	------------------------------------

AP8045

RAP8045

SWITCH ASSEMBLY

USED IN THE LEVELING SYSTEM INCORPORATING THE 8045 CONTROL BOX



ITEM	PART	QTY	DESCRIPTION
1	RP3657	1	LENS RED (2 LENS PER RP3657)

EXISTING NUMBER	REPLACEMENT NUMBER
-----------------	--------------------

AP5427

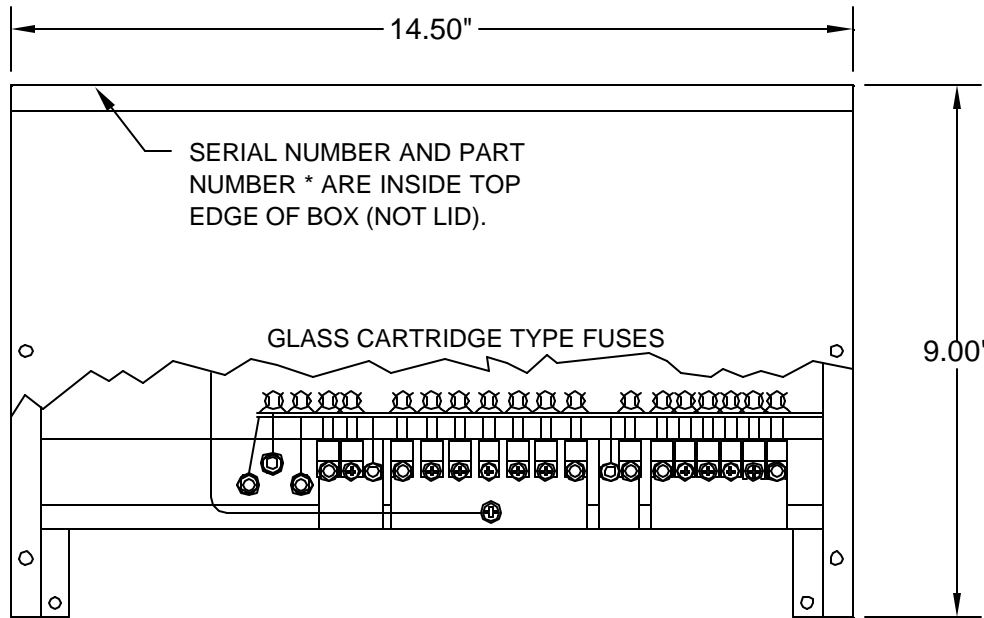
RAP90831

HWH CONTROL UNIT | ELECTRONIC "CONTROL BOX"

FOR **500 SERIES** COMPUTER / TOUCH PANEL-CONTROLLED LEVELING SYSTEMS (Air, Hyd & Air/Hyd)
USED PRIMARILY IN 1988 & 1989
METAL BOX | 14.5" X 9" | GLASS CARTRIDGE TYPE FUSES
(File: MR156200.DOC | Revised: 13APR 17)

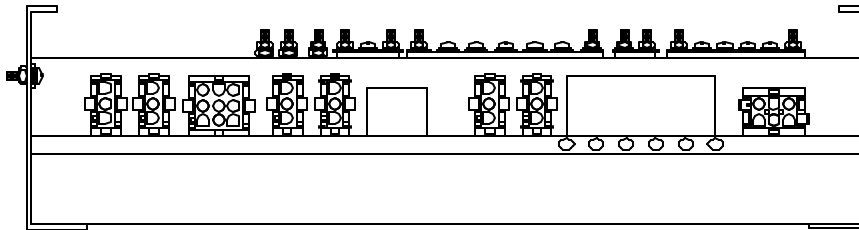
[Printable PDF File](#)

500 SERIES



REPLACEMENTS:

- NEW OR REMANUFACTURED UNITS ARE NO LONGER AVAILABLE.
- HWH MIGHT BE ABLE TO REPAIR YOUR EXISTING UNIT.
- CONTACT HWH TO GET AN RGA NUMBER TO RETURN THE EXISTING UNIT FOR REPAIR.



REPLACEMENT CONTROL BOXES

*MFR PART NUMBER	HYDRAULIC LEVELING	JACK STYLE <small>SA = Straight-Acting KD = Kick-Down</small>	AIR DUMP	AIR LEVELING	GENERAL INSTRUCTIONS	REPLACEMENT NUMBER (R&R ONLY)
AP5842	YES	KD	INCL.	YES		RAP5842
AP6013	YES	SA	NO	NO	AP5842/A6329	RAP6013
AP6018 NOF	YES	SA	INCL.	NO	AP5842/A6328	RAP6018
AP6021 NOF	NO	AIR ONLY	INCL.	YES	AP9705 BOX CTRL 500 CA 24V WITH MI1552.PDF CONNECTION DIAGRAM. USE AP0081 PGTL ADAPTOR.	RAP6021

* MFR PART NUMBER IS ON THE INSIDE TOP EDGE OF BOX (NOT LID).
NUMBER BEGINS WITH "AP" FOLLOWED BY FOUR OR FIVE NUMERALS.
(NOF = NOT ON FILE)

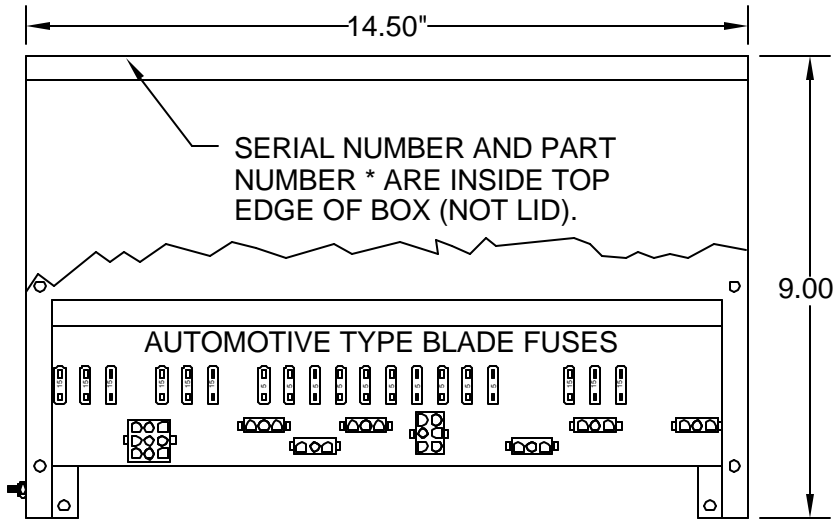
HWH CONTROL UNIT | ELECTRONIC

“CONTROL BOX”

FOR **500 SERIES** COMPUTER / TOUCH PANEL-CONTROLLED LEVELING SYSTEMS (Air, Hyd & Air/Hyd)
 METAL BOX | 14.5" X 9" | AUTOMOTIVE TYPE BLADE FUSES | RIBBON CABLE CONNECTIONS

(File: MR156300.DOC | Revised: 13APR 17)

[Printable PDF File](#)



500 SERIES

REPLACEMENTS:

- NEW OR REMANUFACTURED UNITS ARE NO LONGER AVAILABLE.
- HWH MIGHT BE ABLE TO REPAIR YOUR EXISTING UNIT.
- CONTACT HWH TO GET AN RGA NUMBER TO RETURN THE EXISTING UNIT FOR REPAIR.

REPLACEMENT CONTROL BOXES						
*MFR PART NUMBER	HYD LEVELING	JACK STYLE SA = Straight-Acting KD = Kick-Down	AIR DUMP	AIR LEVELING	GENERAL INSTRUCTIONS	REPLACEMENT NUMBER (R&R ONLY)
AP1687	YES	SA	INCL.	YES		RAP1687
AP2207 NOF	YES	SA	INCL.	YES		RAP90015
AP6385 NOF	NO	AIR ONLY	INCL.	YES		RAP1687
AP6625	NO	AIR ONLY	INCL.	YES	3-POINT AIR LEVELING ONLY	RAP6625
AP6673 NOF	YES	SA	INCL.	YES		RAP1687
AP6692 NOF	NO	AIR ONLY	INCL.	YES	RAP9705 BOX CTRL 500/CA/24V WITH M1517 & M1552 CONNECTION DIAGRAM. USE AP0081 PGTL ADAPTOR.	RAP6692 NOF
AP6744 NOF	YES	KD	INCL.	YES	RAP1687/A6924	RAP6744 NOF
AP6855 NOF	YES	SA	NO	NO	RAP1687/A6908	RAP6855 NOF
AP6890 NOF	YES	KD	INCL.	YES	RAP1687/A6924 USE AP42350 ADAPTOR.	RAP6890
AP7600	YES	SA	INCL.	YES		RAP90015
AP7645 NOF	YES	KD	INCL.	YES	RAP1687/A6924	RAP7645 NOF
AP7650 NOF	YES	SA	INCL.	YES		RAP1687
AP9369 NOF	YES	SA	INCL.	YES		RAP90015
AP9705	NO	AIR ONLY		ONLY	24 VOLT	RAP9705
AP10934	YES	SA	YES	NO	USED WITH ROOM EXTENSION	RAP90021
AP15501	YES	SA	INCL.	YES	EQUIPPED FOR USE WITH SPEED SWITCH.	RAP92002
AP22070	YES	SA	INCL.	YES	EQUIPPED FOR USE WITH SPEED SWITCH.	RAP90015

* MFR PART NUMBER IS ON THE INSIDE TOP EDGE OF BOX (NOT LID).
 NUMBER BEGINS WITH "AP" FOLLOWED BY FOUR OR FIVE NUMERALS.
 (NOF = NOT ON FILE)

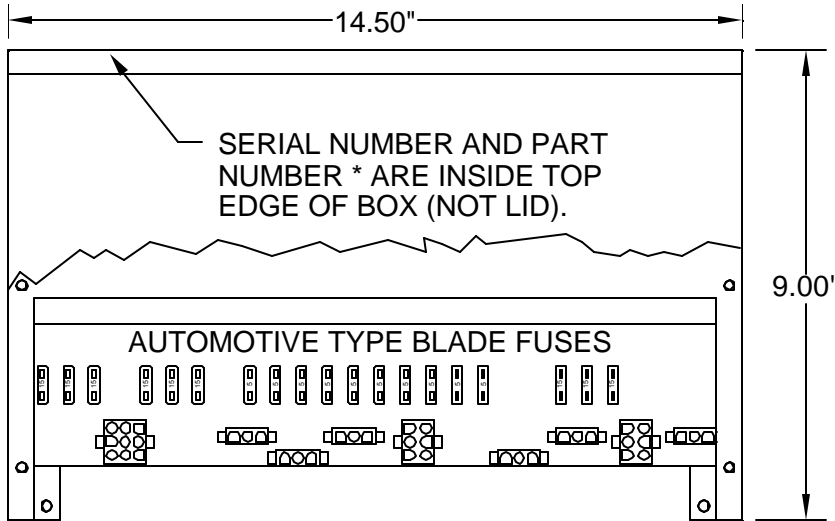
HWH CONTROL UNIT | ELECTRONIC

“CONTROL BOX”

FOR **600 SERIES** COMPUTER / TOUCH PANEL-CONTROLLED LEVELING SYSTEMS (Air, Hyd & Air/Hyd)
 METAL BOX | 14.5" X 9" | AUTOMOTIVE TYPE BLADE FUSES | MODULAR CABLE CONNECTIONS

(File: MR156400.DOC | Revised: 13APR 17)

[Printable PDF File](#)



600 SERIES

REPLACEMENTS:

- NEW OR REMANUFACTURED UNITS ARE NO LONGER AVAILABLE.
- HWH MIGHT BE ABLE TO REPAIR YOUR EXISTING UNIT.
- CONTACT HWH TO GET AN RGA NUMBER TO RETURN THE EXISTING UNIT FOR REPAIR.

REPLACEMENT CONTROL BOXES

*MFR PART NUMBER	HYD LEVELING	JACK STYLE <small>SA = Straight-Acting KD = Kick-Down</small>	AIR DUMP	AIR LEVELING	GENERAL INSTRUCTIONS	REPLACEMENT NUMBER (R&R ONLY)
AP0415	YES	KD	INCL.	4-POINT	9K & 16 K JACKS	RAP2277 NOF
AP0416	YES	KD	INCL.	4-POINT	4-16K JACKS RAP91362/A0414	RAP0416 NOF
AP2205	YES	SA	INCL.	4-POINT		RAP91362
AP2277	YES	KD	INCL.	4-POINT	RAP91362/A2278	RAP2277 NOF
AP8238	NO	AIR ONLY	INCL.	3-POINT	FORETRAVEL	RAP8238
AP9180 NOF	NO	AIR ONLY	INCL.	4-POINT	OBSOLETE FORETRAVEL	RAP90026
AP9298 NOF	YES	KD	INCL.	3-POINT	RAP91362/A9299 USE A10508 ADAPTOR FOR FRONT AIR 4PT TO 3PT USE NEW LID A10669	RAP9298 NOF
AP9488	NO	AIR ONLY	INCL.	4-POINT	FORETRAVEL	RAP90026
AP9651	YES	SA	INCL.	4-POINT		RAP91898
AP10125	YES	SA	INCL.	3-POINT		RAP92008
AP11636	NO	AIR ONLY	INCL.	3-POINT	PREVOST CONVERSION	RAP92009
AP12232	YES	SA	INCL.	4-POINT	NEWELL	RAP90276
AP14721	NO	AIR ONLY	INCL.	4-POINT	FORETRAVEL WITH TAG MONACO WITH TAG	RAP90525
AP14930	YES	SA	INCL.	4-POINT	BEAVER – DUAL TOUCH PANEL	RAP91250
AP15555	YES	SA	INCL.	4-POINT	ROOM INTERRUPT	RAP92007
AP16832	NO	AIR ONLY	INCL.	4-POINT	MCI	RAP91756
AP18033	NO	AIR ONLY	INCL.	4-POINT		RAP91770
AP25514	YES	SA	NO	NONE	BLUEBIRD	RAP92010

* MFR PART NUMBER IS ON THE INSIDE TOP EDGE OF BOX (NOT LID).
 NUMBER BEGINS WITH "AP" FOLLOWED BY FOUR OR FIVE NUMERALS.
 (NOF = NOT ON FILE)

HWH CONTROL UNIT | ELECTRONIC

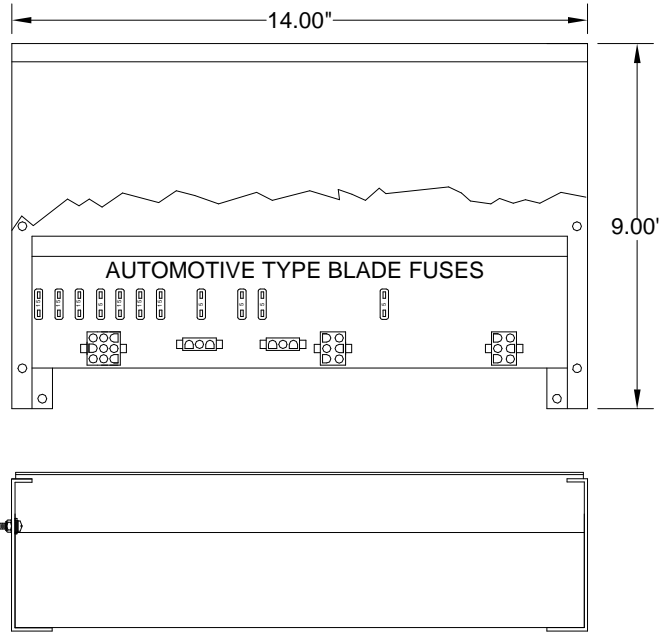
“CONTROL BOX” 600 SERIES

COMPUTER / TOUCH PANEL-CONTROLLED LEVELING SYSTEMS (Air, Hyd & Air/Hyd)

METAL/PLEXI GLASS BOX | 9.00" x 14.00"

(File: MR156500.DOC | Revised: 13JUN18)

[Print Friendly PDF File](#)



600 SERIES

REPLACEMENTS:

- ? NEW OR REMANUFACTURED UNITS ARE NO LONGER AVAILABLE.
- ? HWH MIGHT BE ABLE TO REPAIR YOUR EXISTING UNIT.
- ? CONTACT HWH TO GET AN RGA NUMBER TO RETURN THE EXISTING UNIT FOR REPAIR.

* MANUFACTURER PART NUMBER	DESCRIPTION	REPLACEMENT NUMBER (R&R ONLY)
AP12281	USED ON EARLY LEVEL FLOOR ROOM EXTENSIONS FOR NEWELL	RAP90277
AP13412	USED ON SYSTEMS WITH KEYED OPERATOR'S PANEL THAT HAS AN INDICATOR LIGHT.	RAP90278

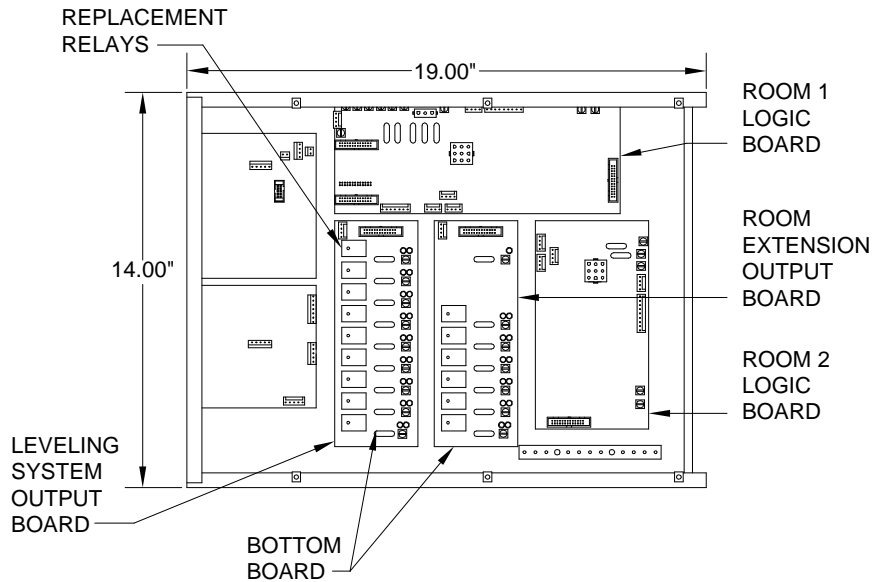
* MFR PART NUMBER IS ON THE INSIDE TOP EDGE OF BOX (NOT LID).
NUMBER BEGINS WITH AN "AP" FOLLOWED BY FOUR OR FIVE NUMERALS.

HWH CONTROL UNIT | ELECTRONIC "CONTROL BOX"

FOR **680 SERIES** COMPUTER / TOUCH PANEL-CONTROLLED LEVELING SYSTEMS (Air, Hyd & Air/Hyd)
METAL BOX | 19" x 14" | USED FOR SYSTEMS WITH SLIDE-OUTS USING ROOM LOCKS

(File: MR156600.DOC | Revised: 28JAN19)

[Printable PDF File](#)



680 SERIES

REPLACEMENTS:

- NEW OR REMANUFACTURED UNITS ARE NO LONGER AVAILABLE.
- HWH MAY BE ABLE TO REPAIR YOUR EXISTING UNIT.
- CONTACT HWH TO GET AN RGA NUMBER TO RETURN THE EXISTING UNIT FOR REPAIR.

NOTE:

- CONTROL BOXES MAY HAVE 1, 2 OR 3 ROOMS WITH AIR LEVELING.
- WITH MULTIPLE ROOMS AND LEVELING THERE WILL BE UPPER AND LOWER OUTPUT BOARDS.

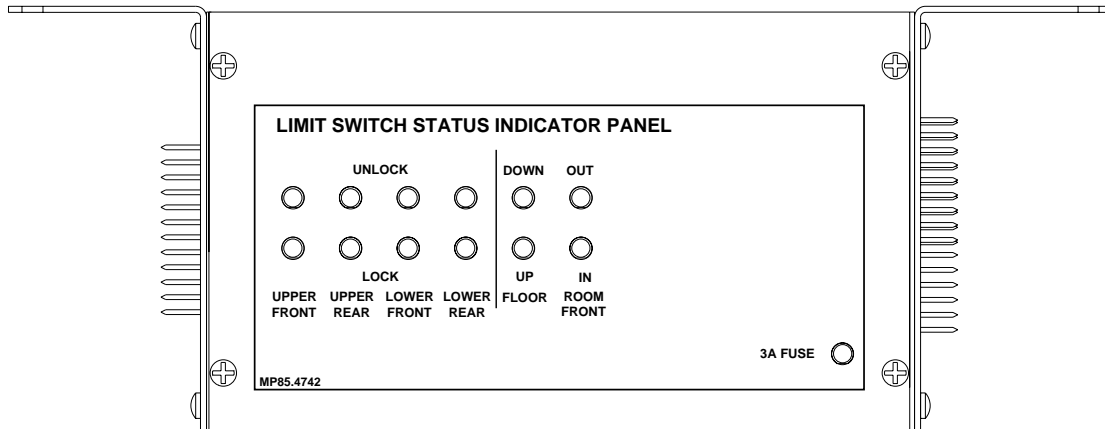
REPLACEMENT PARTS	
REPLACEMENT NUMBER	DESCRIPTION
RAP90594	REPLACEMENT RELAY FOR OUTPUT BOARDS

REPLACEMENT CONTROL BOXES									
*MFR PART NUMBER	REPLACEMENT NUMBER (R&R ONLY)	CHIP STYLE	HYD LEVELING	AIR LEVELING	LEVEL IN FLOOR	ROOM LOCK IN	ROOM LOCK OUT	AIR SEAL	COMMENTS
AP13455	RAP90597	A13456	2 JACKS ONLY	YES	NO	YES	YES	YES	NEWELL 1-ROOM
AP13474	RAP90598	A13872	NO	YES 24 VOLT	NO	YES	YES	NO	VANTARE FEATHERLITE 1-ROOM
AP13476	RAP90599	A13872	NO	YES 24 VOLT	NO	YES	YES	NO	VANTARE FEATHERLITE 2-ROOM
AP13782	RAP90600	A14212	NO	YES	YES	YES	YES	YES	NEWELL 2-ROOM GEN SLIDE
AP13790	RAP90601	A13734	YES	YES	YES	YES	YES	YES	NEWELL 2-ROOM
AP13920	RAP90602	A14212	NO	YES	YES	YES	YES	YES	NEWELL 1-ROOM
AP15544	RAP90603	NONE	NO	NO	NO	YES	YES	YES	B&B COACHWORKS 2-ROOM
AP15803	RAP90604	NONE	NO	NO	NO	YES	YES	YES	MONTANA COACH 2-ROOM
AP16326	RAP90605	A14212	NO	YES	NO	YES	YES	YES	NEWELL 1-ROOM
AP16393	RAP90606	A13872	NO	YES 24 VOLT	YES	YES	NO	YES	MARATHON 2-ROOM
AP17228	RAP90607	A18338	NO	YES	NO	YES	NO	YES	MITCHELL 1-ROOM
AP18370	RAP90608	A18338	NO	YES	NO	YES	NO	NO	MITCHELL

									1-ROOM
AP18480	RAP90609	NONE	NO	NO	NO	YES	YES	YES	I-44 BUS SALES 1-ROOM
AP18497	RAP90610	A15944	YES	NO	NO	YES	NO	YES	BLUEBIRD 2-ROOM
AP18499	RAP90612	A15944	YES	NO	NO	YES	NO	YES	BLUEBIRD 1-ROOM
AP18508	RAP90614	A18338	NO	YES	NO	YES	NO	YES	FORETRAVEL 1-ROOM
AP18825	RAP90615	A14212	NO	YES	YES	YES	YES	YES	NEWELL 3-ROOM
AP19053	RAP90703	A19056	YES	NO	NO	YES	NO	NO	FEATHERLITE 2-ROOM
AP19081	RAP90704	A13872	NO	YES	YES	YES	NO	YES	PREVOST CONV. 1-ROOM
AP19362	RAP90705	A19544	YES	NO	NO	YES	NO	YES	BLUEBIRD 1-ROOM
AP19364	RAP90706	A19544	YES	NO	NO	YES	NO	YES	BLUEBIRD 2-ROOM
AP19559	RAP90707	A18338	NO	YES	NO	YES	NO	YES	FORETRAVEL 1-ROOM
AP19673	RAP90708	A13872	NO	YES	NO	YES	NO	NO	FEATHERLITE 1-ROOM
AP19674	RAP90709	A13872	NO	YES	NO	YES	NO	NO	FEATHERLITE 2-ROOM
AP20021	RAP90712	A13456	YES	YES	YES	YES	YES	YES	NEWELL 2-ROOM
AP20241	RAP90710	A13872	NO	YES	NO	YES	NO	YES	PREVOST CONV. XL 2-ROOM
AP20761	RAP90713	A18338	NO	YES	NO	YES	NO	NO	PREVOST CONV. 1-ROOM
AP21059	RAP90714	A21007	NO	YES 4-POINT	YES	YES	NO	YES	PREVOST CONV. 2-ROOM
AP21112	RAP90715	A18338	NO	YES	YES	YES	NO	YES	MCI CONV. 2-ROOM
AP21168	RAP90716	A14212	NO	YES	YES	YES	NO	YES	NEWELL 2-ROOM
AP21185	RAP90717	A15944	YES	NO	NO	YES	NO	NO	HWH EUROPE 1-ROOM
AP21270	RAP90718	A14212	NO	YES	YES	YES	NO	YES	NEWELL 3-ROOM
AP21662	RAP90719	A18338	NO	YES	NO	YES	NO	NO	FEATHERLITE VOGUE 2-ROOM
AP21696	RAP90720	A18338	NO	YES	NO	YES	NO	YES	FORETRAVEL 2-ROOM
AP21760	RAP90721	A14212	NO	YES	YES (2)	YES	YES	YES	NEWELL 3-ROOM
AP22274	RAP91943	A15944	YES	NO	NO	YES	YES	NO	HWH EUROPE 1-ROOM
AP23930	RAP91999	A23933	YES	YES	NO	YES	YES	YES	BLUEBIRD 1-ROOM
AP25815	RAP92000	A13874	NO	YES 24 VOLT	YES	YES	YES	YES	MARATHON 3-ROOM
AP27701	RAP92001	A15944	YES	NO	NO	YES	YES	NO	HWH EUROPE 2-ROOM
AP41022	RAP92222	A13872	NO	YES 24 VOLT	YES	YES	NO	YES	AP16393 CONV. 2-ROOM

* MFR PART NUMBER IS ON TOP OF BOX. NUMBER BEGINS WITH "AP" FOLLOWED BY FIVE NUMERALS.

BOX, STATUS LIMIT SWITCH FOR 680 SERIES LEVELING SYSTEMS (WITH ROOM LOCKING CYLINDERS)



NOTE: SOME BOXES USE DEUTSCH CONNECTORS. SEE THE CHART BELOW FOR MORE INFORMATION.

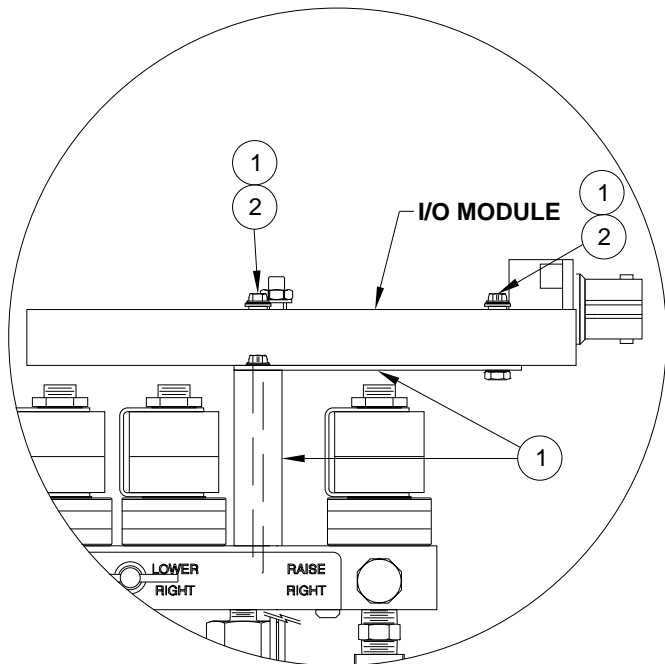
ALL BOXES USE R90283 FUSE. SOLD IN PACKAGES OF FIVE.

REPLACEMENT BOXES

*EXISTING NUMBER	CONNECTOR STYLE	REPLACEMENT NUMBER
AP18441	MTA	RAP91816
AP18505	MTA	RAP91821
AP19347	MTA	RAP91313
AP19439	MTA	RAP91315
AP19573	MTA	RAP91782
AP19880	MTA	RAP91826
AP20100	DEUTSCH	RAP91827
AP20329	DEUTSCH	RAP91778
AP20341	DEUTSCH	RAP91828
AP20374	MTA	RAP91823
AP20535	MTA	RAP91314
AP20537	MTA	RAP91818
AP20668	DEUTSCH	RAP91311
AP20675	DEUTSCH	RAP91312
AP21508	DEUTSCH	RAP91820
AP22354	DEUTSCH	RAP91817
AP22358	DEUTSCH	RAP91819
AP25256	DEUTSCH	RAP91822

* PART NUMBER IS ON LEFT OR RIGHT SIDE OF BOX. NUMBER BEGINS WITH "AP" FOLLOWED BY 5 NUMERALS.

**MULTIPLEX INPUT / OUTPUT MODULE
FOR 700 SERIES, COMPUTER-CONTROLLED LEVELING SYSTEMS
(USE BEGINNING 2011)**



REPLACEMENT PARTS

ITEM	PART	DESCRIPTION
1	RAP93019	MOUNTING KIT
2	RAP93018	HARDWARE KIT
NOTE: REPLACEMENT MODULES INCLUDE ITEM 2.		

COMPLETE ASSEMBLY	ASSEMBLY REPLACEMENT	DESCRIPTION
AP48445	RAP92947	FRONT AIR MANIFOLD
AP48446	RAP92948	REAR AIR MANIFOLD

HWH CONTROL UNIT | ELECTRONIC

“CONTROL BOX” 2000 SERIES

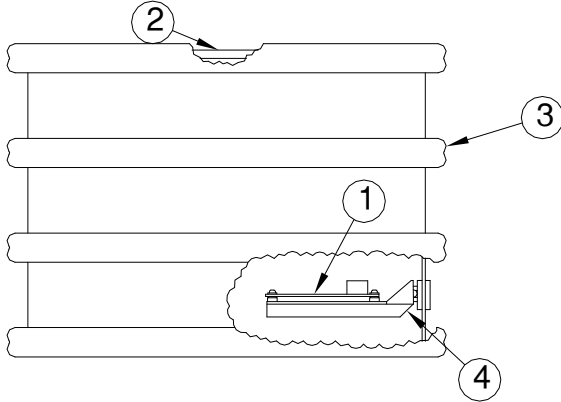
COMPUTER / TOUCH PANEL-CONTROLLED LEVELING SYSTEMS (Air, Hyd & Air/Hyd)
METAL ENCLOSURE W/PLEXIGLASS COVER | 8.5” x 11.5”

(File: MR156700.DOC | Revised: 07JUN18)

[Print Friendly PDF File](#)

2000 SERIES CONTROL BOXES ARE TO BE REPLACED AS A “COMPLETE ASSEMBLY”. LOCATE YOUR CONTROL BOX IN THE “COMPLETE ASSEMBLY” COLUMN. THE “ASSEMBLY REPLACEMENT” COLUMN WILL SHOW THE REPLACEMENT NUMBER FOR THE “COMPLETE ASSEMBLY”.

REPLACEMENT PARTS



ITEM	ORDER #	DESCRIPTION
1	RAP91172	SENSING UNIT
2	RAP91932	CLEAR POLY COVER
3	RP92193	RETAINER SEAL (ONE PER RP92193)
4	SEE >	MR452005.HTML FOR SENSING UNIT MOUNTING HDWE INFORMATION
	R90923	2 AMP FUSE
	R90924	3 AMP FUSE
	R90925	5 AMP FUSE
	R90926	7.5 AMP FUSE
	R90927	10 AMP FUSE
	R90928	15 AMP FUSE
	NOTE:	FUSES ARE SOLD IN QUANTITIES OF FIVE.

ALL ASSEMBLIES, SINGLE OR STACKED, WILL HAVE ONE “ASSEMBLY” LABEL LOCATED ON THE OUTSIDE, AND EACH RING, WILL HAVE A “COMPONENT” LABEL ON THE INSIDE, AS SHOWN BELOW.



ASSEMBLY LABEL
OUTSIDE BOX



COMPONENT LABEL
INSIDE BOX

* NOTE: REPLACEMENTS

- ? NEW OR REMANUFACTURED UNITS ARE NO LONGER AVAILABLE.
- ? HWH MIGHT BE ABLE TO REPAIR YOUR EXISTING UNIT.
- ? CONTACT HWH TO GET AN RGA NUMBER TO RETURN THE EXISTING UNIT FOR REPAIR.

COMPLETE ASSEMBLY	ASSEMBLY REPLACEMENT	# OF RINGS	PRIMARY OEM	CONTROL BOX INFORMATION
AP22690	RAP91324	3	NEWELL	CENTRAL CONTROL MODULE WITH OUTPUTS FOR 2 JACKS, 3 ROOMS, 3 LOCKS AND 1 LEVEL IN / LEVEL OUT FLOOR
AP22691*	OBS	2	NEWELL	ROOM #1 I/O MODULE WITH AIR SEAL OUTPUT
AP22700*	OBS	2	NEWELL	FRONT AIR I/O MODULE WITH FRONT AIR LEVELING OUTPUTS
AP22738*	OBS	2	NEWELL	ROOM #2 I/O MODULE WITH AIR SEAL OUTPUT
AP22739*	OBS	2	NEWELL	ROOM #3 I/O MODULE WITH AIR SEAL OUTPUT
AP22740*	OBS	2	NEWELL	REAR AIR I/O MODULE WITH REAR AIR OUTPUTS
AP23315	RAP91039	3	NEWELL	CENTRAL CONTROL MODULE WITH OUTPUTS FOR 4 ROOMS W/ GEN SLIDE, 5 LOCKS AND 2

				LEVEL IN/OUT FLOORS.
AP23316	RAP90893	1	NEWELL	ROOM #1 I/O MODULE WITH AIR SEAL OUTPUT
AP23317	RAP90892	1	NEWELL	ROOM #2 I/O MODULE WITH AIR SEAL OUTPUT
AP23318	RAP90891	1	NEWELL	ROOM #3 I/O MODULE WITH AIR SEAL OUTPUT
AP23319	RAP91323	2	NEWELL	ROOM #4 I/O MODULE WITH AIR SEAL OUTPUT
AP23320	RAP91044	2	NEWELL	FRONT AIR & GEN SLIDE I/O MODULE WITH FRONT AIR LEVELING OUTPUTS
AP23321	RAP91045	2	NEWELL	REAR AIR I/O MODULE WITH REAR AIR OUTPUTS
AP23493	RAP91327	2	NEWELL	CENTRAL CONTROL MODULE WITH OUTPUTS FOR 4 ROOMS, 4 LOCKS AND 2 LEVEL IN/OUT FLOORS
AP23995	RAP91041	2	ABC BUS COMPANIES INC.	CENTRAL CONTROL MODULE WITH OUTPUTS FOR FRONT AND REAR AIR LEVELING
AP23996	RAP91040	2	ABC BUS COMPANIES INC.	ROOM I/O MODULE WITH OUTPUTS FOR ROOM, LOCKS, AIR SEAL AND VACUUM
AP24062	RAP91047	3	FORETRAVEL INC.	CENTRAL CONTROL AND I/O MODULE WITH OUTPUTS FOR 2 ROOMS, 2 LOCKS, AIR SEAL AND VACUUM.
AP24063	RAP91048	3	FORETRAVEL INC.	REAR AIR AND ROOM I/O MODULE WITH OUTPUTS FOR AIR SEAL, VACUUM AND REAR AIR LEVELING
AP24299	RAP91046	2	FORETRAVEL INC.	FRONT AIR I/O MODULE WITH OUTPUTS FOR FRONT AIR LEVELING
AP24467	RAP90895	1	NEWELL	TRAIN SLIDE I/O MODULE WITH AIR SEAL AND VACUUM OUTPUT
AP24500	RAP91057	2	COUNTRY COACH	CENTRAL CONTROL MODULE WITH OUTPUTS FOR FRONT AIR LEVELING
AP24565	RAP91051	3	HWH PREVOST CONVERSION	CENTRAL CONTROL AND ROOM I/O MODULE WITH OUTPUTS FOR 1 ROOM, LOCKS, AIR SEAL AND VACUUM – REPLACED WITH AP25144
AP24783	RAP90894	1	NEWELL	ROOM I/O MODULE WITH AIR SEAL AND VACUUM OUTPUT
AP24859	RAP91049	3	NEWELL	CENTRAL CONTROL MODULE WITH OUTPUTS FOR 4 ROOMS, 4 LOCKS AND 1 LEVEL IN/OUT FLOOR
AP24867	RAP91322	3	TRAIL WAGONS INC.	CENTRAL CONTROL AND ROOM I/O MODULE WITH OUTPUTS FOR HYDRAULIC LEVELING, 1 ROOM, LOCKS, AIR SEAL AND VACUUM
AP24887	RAP91050	3	FORETRAVEL INC.	CENTRAL CONTROL AND ROOM I/O MODULE WITH OUTPUTS FOR 1 ROOM, LOCKS, AIR SEAL AND VACUUM
AP25144	RAP91051	3	HWH PREVOST CONVERSION	CENTRAL CONTROL AND ROOM I/O MODULE WITH OUTPUTS FOR 1 ROOM, LOCKS, AIR SEAL AND VACUUM
AP25150	RAP91052	2	FORETRAVEL INC.	REAR AIR I/O MODULE WITH OUTPUTS FOR REAR AIR LEVELING
AP25254	RAP91321	3	FORETRAVEL INC.	CENTRAL CONTROL AND ROOM I/O MODULE WITH OUTPUTS FOR 2 ROOMS, 2 LOCKS, AIR SEAL AND VACUUM
AP25429	RAP91090	1	COUNTRY COACH	ELECTRIC TRAIN SLIDE ROOM MODULE SEE: AP28260
AP25431	RAP91055	2	COUNTRY COACH	REAR AIR I/O MODULE WITH OUTPUTS FOR REAR AIR LEVELING
AP25435	RAP91056	2	MOTOR COACH IND. (NEWMAX)	CENTRAL CONTROL MODULE WITH OUTPUTS FOR FRONT AND REAR AIR LEVELING
AP25447	RAP91059	1	COUNTRY COACH	ELECTRIC SINGLE CYLINDER ROOM EXTENSION MODULE
AP25611	RAP91106	1	COUNTRY COACH	ELECTRIC TRAIN SLIDE ROOM MODULE SEE: AP29055
AP25649	RAP91060	2	CHASSIS MASTERS	CENTRAL CONTROL MODULE WITH OUTPUTS FOR HYDRAULIC LEVELING AND 3 ROOMS
AP25651	RAP91061	2	CHASSIS MASTERS	2 ROOM I/O MODULE WITH NO OUTPUTS
AP25652	RAP91062	1	CHASSIS MASTERS	1 ROOM I/O MODULE WITH AIR SEAL AND VACUUM OUTPUTS
AP25662	RAP91063	2	NEWELL	CENTRAL CONTROL MODULE WITH OUTPUTS FOR 4 ROOMS, 4 LOCKS AND 2 LEVEL IN/OUT

				FLOORS
AP25798	RAP91064	2	NEWELL	CENTRAL CONTROL MODULE WITH OUTPUTS FOR 3 ROOMS, 3 LOCKS AND 1 LEVEL IN/OUT FLOOR
AP25949	RAP91065	2	NEWELL	CENTRAL CONTROL MODULE WITH OUTPUTS FOR 2 ROOMS, 2 LOCKS AND 1 LEVEL IN/OUT FLOOR
AP25998	RAP91066	1	FORETRAVEL INC.	CENTRAL CONTROL MODULE WITH NO OUTPUTS
AP26569	RAP91068	2	NEWELL	CENTRAL CONTROL MODULE WITH OUTPUTS FOR 4 ROOMS, 4 LOCKS AND 1 LEVEL IN/OUT FLOOR
AP26594	RAP91069	3	FORETRAVEL INC.	CENTRAL CONTROL AND ROOM I/O MODULE WITH OUTPUTS FOR 2 ROOMS
AP26602	RAP91070	3	FORETRAVEL INC.	CENTRAL CONTROL AND ROOM I/O MODULE WITH OUTPUTS FOR 2 ROOMS, 2 LOCKS, AIR SEAL AND VACUUM
AP26603	RAP91071	3	FORETRAVEL INC.	REAR AIR AND ROOM I/O MODULE WITH OUTPUTS FOR REAR AIR LEVELING, AIR SEAL AND VACUUM
AP26748	RAP91319	2	NEWELL	CENTRAL CONTROL MODULE WITH OUTPUTS FOR 4 ROOMS, 4 LOCKS AND 2 LEVEL IN/OUT FLOOR
AP26814	RAP91072	3	TRAIL WAGONS INC.	CENTRAL CONTROL AND HYDRAULIC LEVELING I/O MODULE WITH OUTPUTS FOR HYDRAULIC LEVELING
AP26815	RAP91073	3	TRAIL WAGONS INC.	CENTRAL CONTROL AND ROOM I/O MODULE WITH OUTPUTS FOR 1 ROOM, LOCKS, AIR SEAL AND VACUUM
AP27046	RAP91074	1	FORETRAVEL INC.	CENTRAL CONTROL MODULE WITH NO OUTPUTS
AP27222	RAP91075	3	FORETRAVEL INC.	CENTRAL CONTROL AND ROOM I/O MODULE WITH OUTPUTS FOR 2 ROOMS, 2 LOCKS, AIR SEAL AND VACUUM
AP27396	RAP91076	3	INFINITY COACH	CENTRAL CONTROL AND ROOM I/O MODULE WITH OUTPUTS FOR 2 ROOMS, 2 LOCKS, AIR SEAL AND VACUUM
AP27415	RAP91077	3	MONTANA COACH	CENTRAL CONTROL AND ROOM I/O MODULE WITH OUTPUTS FOR 2 ROOMS, 2 LOCKS, AIR SEAL AND VACUUM
AP27418	RAP91078	1	MONTANA COACH	ROOM I/O MODULE WITH OUTPUTS FOR AIR SEAL AND VACUUM
AP27475	RAP91080	3	DOMINATOR INT'L LTD	CENTRAL CONTROL MODULE WITH OUTPUTS FOR HYDRAULIC LEVELING AND 8 FUNCTIONS
AP27476	RAP91081	1	DOMINATOR INT'L LTD	BEDROOM SLIDE I/O MODULE WITH OUTPUTS FOR AIR SEAL AND VACUUM
AP27477	RAP91082	1	DOMINATOR INT'L LTD	LEVEL FLOOR I/O MODULE WITH OUTPUTS FOR AIR SEAL AND VACUUM
AP27478	RAP91083	1	DOMINATOR INT'L LTD	GEN SLIDE AND STEP COVER I/O MODULE WITH OUTPUTS FOR FRONT AND REAR AIR DUMP
AP27569	RAP91085	3	FORETRAVEL INC.	CENTRAL CONTROL AND ROOM I/O MODULE WITH OUTPUTS FOR 1 ROOM, LOCKS, AIR SEAL AND VACUUM
AP27570	RAP91084	3	FORETRAVEL INC.	CENTRAL CONTROL AND ROOM I/O MODULE WITH OUTPUTS FOR 2 ROOMS, 2 LOCKS, AIR SEAL AND VACUUM. SEE: AP27621
AP27577	RAP91086	2	FORETRAVEL INC.	REAR AIR I/O MODULE WITH OUTPUTS FOR REAR AIR LEVELING
AP27579	RAP91097	2	FORETRAVEL INC.	REAR AIR I/O MODULE WITH OUTPUTS FOR REAR AIR LEVELING
AP27621	RAP91094	3	COUNTRY COACH	CENTRAL CONTROL AND REAR AIR I/O MODULE WITH OUTPUTS FOR 3 ROOMS AND REAR AIR LEVELING
AP27622	RAP91096	3	COUNTRY COACH	CENTRAL CONTROL AND FRONT AIR I/O MODULE WITH OUTPUTS FOR 2 ROOMS AND FRONT AIR LEVELING
AP27623	RAP91095	2	COUNTRY COACH	REAR AIR I/O MODULE WITH OUTPUTS FOR REAR AIR LEVELING
AP27669	RAP91093	2	COUNTRY	FRONT AIR AND ROOM I/O MODULE WITH

			COACH	OUTPUTS FOR FRONT AIR LEVELING
AP27703	RAP91092	3	FORETRAVEL INC.	CENTRAL CONTROL AND ROOM I/O MODULE WITH OUTPUTS FOR 2 ROOMS, LOCKS, AIR SEAL AND VACUUM
AP27947	RAP91091	3	COUNTRY COACH	CENTRAL CONTROL AND ROOM / FRONT AIR I/O WITH OUTPUTS FOR 3 ROOMS, FLOOR UP / DOWN AND FRONT AIR LEVELING
AP28260	RAP91090	1	COUNTRY COACH	ELECTRIC SLIDE I/O MODULE
AP28423	RAP91089	3	FORETRAVEL INC.	CENTRAL CONTROL AND ROOM I/O MODULE WITH OUTPUTS FOR 1 ROOM, LOCKS, AIR SEAL AND VACUUM
AP28424	RAP91316	3	FORETRAVEL INC.	CENTRAL CONTROL AND ROOM I/O MODULE WITH OUTPUTS FOR 1 ROOM, LOCKS, AIR SEAL AND VACUUM
AP28488	RAP91087	3	TRAIL WAGONS INC.	CENTRAL CONTROL AND ROOM / LEVELING I/O MODULE WITH OUTPUTS FOR HYDRAULIC LEVELING, 1 ROOM, LOCKS, AIR SEAL AND VACUUM
AP28522	RAP91100	2	FOREST RIVER	CENTRAL CONTROL MODULE WITH OUTPUTS FOR FRONT AND REAR AIR LEVELING
AP28536	RAP91101	2	HWH EUROPE	ROOM I/O MODULE WITH OUTPUTS FOR 1 ROOM, AIR SEAL AND VACUUM
AP28701	RAP91102	3	FLORIDA CUSTOM COACH INC.	CENTRAL CONTROL AND ROOM I/O MODULE WITH OUTPUTS FOR 2 ROOMS, 2 LOCKS, AIR SEAL AND VACUUM
AP28702	RAP91103	1	FLORIDA CUSTOM COACH INC.	ROOM 2 I/O MODULE WITH OUTPUTS FOR AIR SEAL AND VACUUM
AP28891	RAP91105	3	COUNTRY COACH	CENTRAL CONTROL AND FRONT AIR I/O WITH OUTPUTS FOR AIR LEVELING AND 2 ROOMS
AP29055	RAP91106	1	COUNTRY COACH	ELECTRIC SLIDE I/O MODULE
AP29231	RAP91107	3	FLORIDA CUSTOM COACH INC.	CENTRAL CONTROL AND ROOM I/O MODULE WITH OUTPUTS FOR 2 ROOMS, 2 LOCKS, AIR SEAL AND VACUUM
AP29411	RAP91108	3	FORETRAVEL INC.	CENTRAL CONTROL AND ROOM I/O MODULE WITH OUTPUTS FOR 2 ROOMS, 2 LOCKS, AIR SEAL AND VACUUM
AP29645	RAP91109	3	TRAIL WAGONS INC.	CENTRAL CONTROL AND ROOM / LEVELING I/O MODULE WITH OUTPUTS FOR HYDRAULIC LEVELING, 2 ROOM, 2 LOCKS, AIR SEAL AND VACUUM
AP29646	RAP91110	1	TRAIL WAGONS INC.	ROOM I/O MODULE WITH OUTPUTS FOR AIR SEAL AND VACUUM
AP29827	RAP91112	3	CAMI LLC	CENTRAL CONTROL AND FRONT AIR / ROOM I/O MODULE WITH OUTPUTS FOR 2 ROOMS AND FRONT AIR LEVELING
AP29829	RAP91113	2	CAMI LLC	REAR AIR I/O MODULE WITH OUTPUTS FOR REAR AIR LEVELING
AP30200	RAP91114	2	MONACO COACH CORP WEST	CENTRAL CONTROL MODULE WITH OUTPUTS FOR FRONT AND REAR AIR LEVELING
AP30368	RAP91115	2	MONACO COACH CORP EAST	CENTRAL CONTROL MODULE WITH OUTPUTS FOR FRONT AND REAR AIR LEVELING
AP30554	RAP91116	3	ROADMASTER	CENTRAL CONTROL AND ROOM / LEVELING I/O MODULE WITH OUTPUTS FOR HYDRAULIC LEVELING, 1 ROOM, LOCKS, AIR SEAL AND VACUUM
AP30730	RAP91286	2	COUNTRY COACH	CENTRAL CONTROL MODULE WITH OUTPUTS FOR FRONT AND REAR AIR LEVELING
AP30921	RAP91279	2	MONACO COACH CORP	REAR HYDRAULIC / AIR I/O MODULE WITH OUTPUTS FOR REAR AIR LEVELING
AP30922	RAP91278	2	MONACO COACH CORP	CENTRAL CONTROL MODULE WITH OUTPUTS FOR FRONT AIR AND HYDRAULIC LEVELING
AP31005	RAP91275	3	FORETRAVEL INC.	CENTRAL CONTROL AND ROOM MODULE WITH OUTPUTS FOR FRONT LEVELING, AIR SEAL AND VACUUM
AP31006	RAP91274	3	FORETRAVEL INC.	FRONT AIR AND ROOM I/O MODULE WITH OUTPUTS FOR 2 ROOMS, 2 LOCKS, AIR SEAL

				AND VACUUM
AP31037	RAP91273	3	COUNTRY COACH	CENTRAL CONTROL AND FRONT AIR / ROOM I/O MODULE WITH OUTPUTS FOR 3 ROOMS AND FRONT AIR LEVELING
AP31481	RAP91266	2	BEAVER	CENTRAL CONTROL MODULE WITH OUTPUTS FOR FRONT AND REAR AIR LEVELING
AP31482	RAP91264	2	BEAVER	CENTRAL CONTROL MODULE WITH OUTPUTS FOR FRONT AND REAR AIR LEVELING
AP31848	RAP91255	3	FORETRAVEL INC.	CENTRAL CONTROL AND ROOM I/O MODULE WITH OUTPUTS FOR 2 ROOMS, AIR SEAL AND VACUUM
AP31864	RAP91254	2	COUNTRY COACH	REAR AIR / ROOM I/O MODULE WITH OUTPUTS FOR REAR AIR LEVELING
AP31865	RAP91253	3	COUNTRY COACH	CENTRAL CONTROL AND FRONT AIR / ROOM I/O MODULE WITH OUTPUTS FOR 3 ROOMS AND FRONT AIR LEVELING
AP32398	RAP91345	3	COUNTRY COACH	CENTRAL CONTROL AND FRONT AIR / ROOM I/O MODULE WITH OUTPUTS FOR 4 ROOMS AND FRONT AIR LEVELING
AP32470	RAP91710	2	HWH EUROPE	ROOM I/O MODULE WITH OUTPUTS FOR 2 ROOMS, AIR SEAL AND VACUUM
AP32490	RAP91711	2	NEWMAR	CENTRAL CONTROL MODULE WITH OUTPUTS FOR FRONT AIR / HYDRAULIC LEVELING AND GEN SLIDE
AP32613	RAP91712	3	ROADMASTER	CENTRAL CONTROL AND ROOM / JACKS I/O MODULE WITH OUTPUTS FOR HYDRAULIC LEVELING, 1 ROOM, AIR SEAL AND VACUUM
AP32627	RAP91713	3	ROADMASTER	CENTRAL CONTROL AND ROOM I/O MODULE WITH OUTPUTS FOR 1 ROOM, AIR SEAL AND VACUUM
AP33190	RAP91714	2	NEWMAR	CENTRAL CONTROL MODULE WITH OUTPUTS FOR HYDRAULIC LEVELING AND GEN SLIDE
AP33297	RAP91715	2	NEWMAR	AIR AND FRONT HYDRAULIC LEVELING I/O MODULE WITH OUTPUTS FOR FRONT AIR LEVELING
AP33346	RAP91663	2	NEWMAR	REAR AIR AND HYDRAULIC LEVELING I/O MODULE WITH OUTPUTS FOR FRONT AND REAR AIR LEVELING
AP33615	RAP91717	2	CUSTOM CHASSIS INC./ FOREST RIVER	CENTRAL CONTROL MODULE WITH OUTPUTS FOR FRONT AND REAR AIR LEVELING
AP33689	RAP91662	2	NEWMAR	CENTRAL CONTROL MODULE WITH OUTPUTS FOR HYDRAULIC AND FRONT AIR LEVELING AND GEN SLIDE
AP34262	RAP91721	2	FORETRAVEL INC.	FRONT AIR / ROOM I/O MODULE WITH OUTPUTS FOR FRONT AIR LEVELING, 2 AIR SEALS AND 2 VACUUMS
AP34263	RAP91718	2	FORETRAVEL INC.	REAR AIR / ROOM I/O MODULE WITH OUTPUTS FOR REAR AIR LEVELING, 2 AIR SEALS AND 2 VACUUMS
AP34264	RAP91733	2	FORETRAVEL INC.	CENTRAL CONTROL MODULE WITH OUTPUTS FOR 3 ROOMS
AP34265	RAP91719	2	FORETRAVEL INC.	CENTRAL CONTROL MODULE WITH OUTPUTS FOR 4 ROOMS
AP34757	RAP91611	2	MONACO COACH CORP WEST	CENTRAL CONTROL MODULE WITH OUTPUTS FOR FRONT AND REAR AIR LEVELING
AP34987	RAP91722	2	MOTOR COACH INDUSTRIES	CENTRAL CONTROL MODULE WITH OUTPUTS FOR FRONT AND REAR AIR LEVELING
AP35152	RAP91723	2	NEWMAR	CENTRAL CONTROL MODULE WITH OUTPUTS FOR HYDRAULIC LEVELING AND GEN SLIDE
AP35373	RAP91724	3	MCL (EUROPE)	CENTRAL CONTROL AND ROOM / HYD LEVELING WITH OUTPUTS FOR HYD LEVELING, 1 ROOM, LOCKS, AIR SEAL AND VACUUM
AP35556	RAP91725	2	KRYSTAL ENTERPRISES	CENTRAL CONTROL MODULE WITH OUTPUTS FOR HYDRAULIC LEVELING AND 2 ROOMS
AP35557	RAP91726	2	KRYSTAL ENTERPRISES	ROOM 1 AND 2 I/O MODULE WITH OUTPUTS FOR 2 AIR SEALS AND 2 VACUUMS
AP35810	RAP91727	2	FORETRAVEL INC.	CENTRAL CONTROL MODULE WITH OUTPUTS FOR 4 ROOMS

AP35878	RAP91728	2	FORETRAVEL INC.	CENTRAL CONTROL MODULE WITH OUTPUTS FOR 3 ROOMS
AP35880	RAP91729	2	FORETRAVEL INC.	CENTRAL CONTROL MODULE WITH OUTPUTS FOR 3 ROOMS
AP35916	RAP91730	2	WESTERN REC.	CENTRAL CONTROL MODULE WITH OUTPUTS FOR HYDRAULIC LEVELING, WITH DUMP, AND 2 ROOMS
AP35926	RAP91731	2	WESTERN REC.	REAR I/O MODULE WITH OUTPUTS FOR AIR DUMP AND 2 ROOMS
AP36267	RAP91732	3	COUNTRY COACH	CENTRAL CONTROL AND FRONT AIR/ROOM I/O MODULE WITH OUTPUTS FOR FRONT AIR LEVELING AND 3 ROOMS
AP36509	RAP91922	2	FORETRAVEL INC.	CENTRAL CONTROL MODULE WITH OUTPUTS FOR 3 ROOMS
AP37843	RAP91923	2	FORETRAVEL INC.	CENTRAL CONTROL MODULE WITH OUTPUTS FOR 4 ROOMS AND GEN SLIDE
AP37884	RAP91924	2	FORETRAVEL INC.	CENTRAL CONTROL MODULE WITH OUTPUTS FOR 3 ROOMS AND GEN SLIDE
AP37885	RAP91925	2	FORETRAVEL INC.	CENTRAL CONTROL MODULE WITH OUTPUTS FOR 3 ROOMS AND GEN SLIDE
AP37886	RAP91926	2	FORETRAVEL INC.	CENTRAL CONTROL MODULE WITH OUTPUTS FOR 4 ROOMS AND GEN SLIDE
AP38154	RAP92225	2	ACTIVE AIR CONVERSION	CENTRAL CONTROL MODULE WITH OUTPUTS FOR HYDRAULIC LEVELING AND 2 ROOMS
AP38471	RAP91928	2	FORETRAVEL INC.	CENTRAL CONTROL MODULE WITH OUTPUTS FOR 2 ROOMS AND GEN SLIDE
AP38472	RAP91929	2	FORETRAVEL INC.	CENTRAL CONTROL MODULE WITH OUTPUTS FOR 1 ROOM AND GEN SLIDE
AP38756	RAP91930	2	COUNTRY COACH	CENTRAL CONTROL MODULE WITH OUTPUTS FOR FRONT AND REAR AIR LEVELING
AP39190	RAP92021	2	FORETRAVEL INC.	CENTRAL CONTROL MODULE WITH OUTPUTS FOR 4 ROOMS AND GEN SLIDE
AP39306	RAP92233	2		NO CURRENT USAGE
AP39315	RAP92022	2	FORETRAVEL INC.	CENTRAL CONTROL MODULE WITH OUTPUTS FOR 1 ROOM AND GEN SLIDE
AP39524	RAP92212	2	MCL (EUROPE)	CENTRAL CONTROL MODULE WITH OUTPUTS FOR HYDRAULIC LEVELING, 1 ROOM, AIR SEAL AND VACUUM
AP39639	RAP92234	2		NO CURRENT USAGE
AP39764	RAP92032	2	FORETRAVEL INC.	FRONT AIR/ROOM I/O MODULE WITH OUTPUTS FOR FRONT AIR LEVELING, 2 AIR SEALS, 2 VACUUMS AND STEP COVER
AP39768	RAP92033	2	FORETRAVEL INC.	CENTRAL CONTROL MODULE WITH OUTPUTS FOR 4 ROOMS AND GEN SLIDE
AP39836	RAP92034	2	FORETRAVEL INC.	CENTRAL CONTROL MODULE WITH OUTPUTS FOR 2 ROOMS AND GEN SLIDE
AP39920	RAP92035	2	FORETRAVEL INC.	CENTRAL CONTROL MODULE WITH OUTPUTS FOR 3 ROOMS AND GEN SLIDE
AP39965	RAP92081	3	COUNTRY COACH	CENTRAL CONTROL AND FRONT AIR/ROOM I/O MODULE WITH OUTPUTS FOR FRONT AIR LEVELING AND 4 ROOMS
AP39998	RAP92102	2	FORETRAVEL INC.	CENTRAL CONTROL MODULE WITH OUTPUTS FOR 3 ROOMS AND GEN SLIDE
AP40052	RAP92103	2	FORETRAVEL INC.	CENTRAL CONTROL MODULE WITH OUTPUTS FOR 4 ROOMS AND GEN SLIDE
AP40104	RAP92104	2	FORETRAVEL INC.	CENTRAL CONTROL MODULE WITH OUTPUTS FOR 4 ROOMS AND GEN SLIDE
AP40265	RAP92105	2	FORETRAVEL INC.	CENTRAL CONTROL MODULE WITH OUTPUTS FOR 2 ROOMS AND GEN SLIDE
AP40631	RAP92106	2	FORETRAVEL INC.	CENTRAL CONTROL MODULE WITH OUTPUTS FOR 3 ROOMS AND GEN SLIDE
AP40686	RAP92086	3	COUNTRY COACH	CENTRAL CONTROL AND FRONT AIR/ROOM I/O MODULE WITH OUTPUTS FOR FRONT AIR LEVELING AND 4 ROOMS
AP40912	RAP92223	2	COUNTRY COACH	CENTRAL CONTROL AND FRONT AIR/ROOM I/O MODULE WITH OUTPUTS FOR FRONT AIR LEVELING AND 1 ROOM
AP40913	RAP92224	2	COUNTRY COACH	REAR AIR/ROOM I/O MODULE WITH OUTPUTS FOR REAR AIR LEVELING AND 2 ROOMS

AP40948	RAP92084	3	COUNTRY COACH	CENTRAL CONTROL AND FRONT AIR/ROOM I/O MODULE WITH OUTPUTS FOR FRONT AIR LEVELING AND 3 ROOMS
AP40949	RAP92085	2	COUNTRY COACH	REAR AIR/ROOM I/O MODULE WITH OUTPUTS FOR REAR AIR LEVELING
AP41380	RAP92235	2		NO CURRENT USAGE
AP41057	RAP92211	2	FORETRAVEL INC.	CENTRAL CONTROL MODULE WITH OUTPUTS FOR 3 ROOMS AND GEN SLIDE
AP41591	RAP92215	2	WESTERN REC.	CENTRAL CONTROL MODULE WITH OUTPUTS FOR FRONT AND REAR AIR LEVELING
AP42599	RAP92326	3	COUNTRY COACH	CENTRAL CONTROL AND FRONT AIR/ROOM I/O MODULE WITH OUTPUTS FOR FRONT AIR LEVELING AND 4 ROOMS
AP42637	RAP92328	2		NO CURRENT USAGE
AP42639	RAP92330	1		NO CURRENT USAGE
AP42888	RAP92333	2	AFTER MARKET	CENTRAL CONTROL MODULE WITH OUTPUTS FOR 2 DOUBLE ACTING AND 2 SPRING RETURN JACKS
AP43763	RAP92453	2	FORETRAVEL INC.	CENTRAL CONTROL MODULE WITH OUTPUTS FOR FRONT AND REAR AIR LEVELING
AP44198	RAP92976	2		NO CURRENT USAGE
AP45295	RAP92977	2	FORETRAVEL INC.	FRONT AIR / ROOM I/O MODULE WITH OUTPUTS FOR FRONT AIR LEVELING
AP45296	RAP92978	1	FORETRAVEL INC.	REAR AIR / ROOM I/O MODULE WITH OUTPUTS FOR REAR AIR LEVELING
AP45303	RAP92979	2	FORETRAVEL INC.	CENTRAL CONTROL MODULE WITH OUTPUTS FOR 3 ROOMS AND FLOOR
AP45841	RAP92980	2	TIFFIN MOTORHOMES	CENTRAL CONTROL MODULE WITH OUTPUTS FOR HYDRAULIC AND FRONT AIR LEVELING
AP45842	RAP92985	1	TIFFIN MOTORHOMES	REAR AIR I/O MODULE WITH OUTPUTS FOR REAR AIR LEVELING
AP45881	RAP92986	2	MOTOR COACH INDUSTRIES	CENTRAL CONTROL MODULE WITH OUTPUTS FOR FRONT AND REAR AIR LEVELING
AP45988	RAP92708	2	TIFFIN MOTORHOMES	CENTRAL CONTROL MODULE WITH OUTPUTS FOR FRONT AND REAR AIR LEVELING
AP46003	RAP92987	2	FARBER'S SPECIALTY VEH'L, WOLF COACH, OSHKOSH SPECIALTY VEH'L	CENTRAL CONTROL MODULE WITH OUTPUTS FOR HYDRAULIC LEVELING
AP46118	RAP92988	2	FARBER'S SPECIALTY VEHICLES	CENTRAL CONTROL MODULE WITH OUTPUTS FOR HYDRAULIC LEVELING AND AIR SUSPENSION DUMP
AP46173	RAP92989	2	TSN TELECOMUNICA	CENTRAL CONTROL MODULE AND FRONT I/O MODULE WITH OUTPUTS FOR FRONT HYDRAULIC JACKS AND ROOMS
AP46174	RAP92990	1	TSN TELECOMUNICA	REAR I/O MODULE WITH OUTPUTS FOR REAR HYDRAULIC JACKS AND ROOMS
AP46243	RAP92991	2	FARBER'S SPECIALTY VEHICLES	CENTRAL CONTROL MODULE WITH OUTPUTS FOR HYDRAULIC LEVELING AND AIR SUSPENSION DUMP
AP46863	RAP92936	2	LIFELINE SHELTER SYSTEMS	CENTRAL CONTROL MODULE WITH OUTPUTS FOR HYDRAULIC LEVELING AND UP TO 4 ROOMS
AP46953	RAP92932	2	LDS SYSTEMS, SVI TRUCKS	CENTRAL CONTROL MODULE WITH OUTPUTS FOR HYDRAULIC LEVELING, AIR SUSPENSION DUMP AND UP TO 4 ROOMS
AP46959	RAP92958	2	LIFELINE SHELTER SYSTEMS	CENTRAL CONTROL MODULE WITH OUTPUTS FOR HYDRAULIC LEVELING
AP47285	RAP92992	2	MDW INC.	CENTRAL CONTROL MODULE WITH OUTPUTS FOR HYDRAULIC LEVELING AND UP TO 4 ROOMS
AP48272	RAP92994	3	LIFELINE SHELTER SYSTEMS	CENTRAL CONTROL MODULE WITH OUTPUTS FOR HYDRAULIC LEVELING AND UP TO 7 ROOMS
AP48835	RAP92995	2	FORETRAVEL	CENTRAL CONTROL MODULE WITH OUTPUTS

			INC.	FOR 4 ROOMS AND GEN SLIDE
--	--	--	------	---------------------------

HWH CONTROL UNIT | ELECTRONIC

“CONTROL BOX”

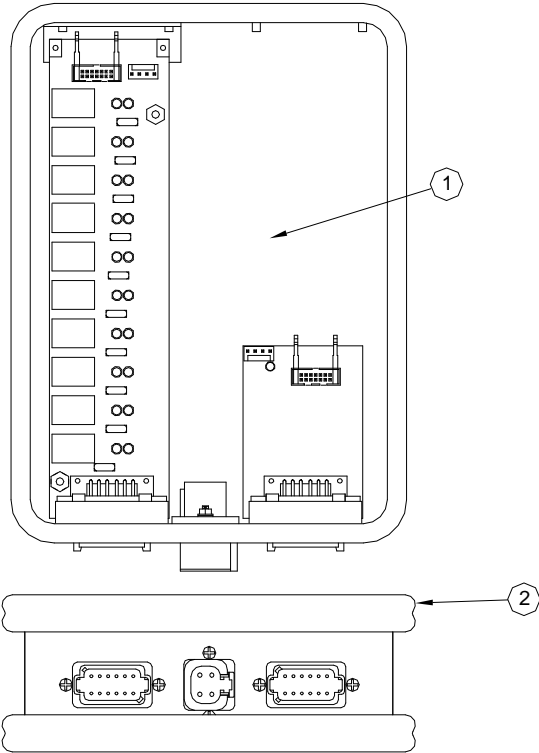
ROOM INTERFACE

COMPUTER / TOUCH PANEL-CONTROLLED LEVELING SYSTEMS (Air, Hyd & Air/Hyd)

METAL/PLEXI GLASS BOX | 8.50" x 11.50"

(File: MR156750.DOC | Revised: 11JUN18)

[Print Friendly PDF File](#)



REPLACEMENT PARTS

ITEM	PART	DESCRIPTION
1	RAP91932	CLEAR POLY COVER
2	RP92193	RETAINER SEAL (QTY. 1)
	R90928	15 AMP FUSE
NOTE: FUSES ARE SOLD IN QUANTITIES OF FIVE.		

EXISTING NUMBER	DESCRIPTION	REPLACEMENT NUMBER
AP33578	TWO ROOM INTERFACE BOX	RAP92026
AP33580	THREE ROOM INTERFACE BOX	RAP92027
AP33582	FOUR ROOM INTERFACE BOX	RAP91769
AP33584	FIVE ROOM INTERFACE BOX	RAP91626

HWH CONTROL UNIT | ELECTRONIC

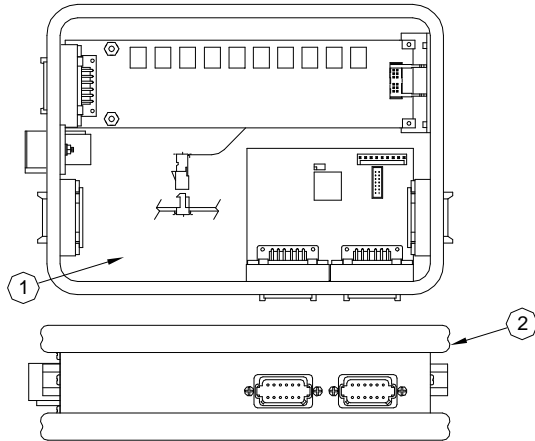
"CONTROL BOX" 2000 SERIES

COMPUTER / TOUCH PANEL-CONTROLLED LEVELING SYSTEMS (Air, Hyd & Air/Hyd)
METAL/PLEXI GLASS BOX | 8.50" x 11.50"

(File: MR156775.DOC | Revised: 11JUN18)

[Print Friendly PDF File](#)

2000 SERIES CONTROL BOXES ARE TO BE REPLACED AS A "COMPLETE ASSEMBLY". LOCATE YOUR CONTROL BOX IN THE "COMPLETE ASSEMBLY" COLUMN. THE "ASSEMBLY REPLACEMENT" COLUMN WILL SHOW THE REPLACEMENT NUMBER FOR THE "COMPLETE ASSEMBLY".



REPLACEMENT PARTS

ITEM	PART	DESCRIPTION
1	RAP91932	CLEAR POLY COVER
2	RP92193	RETAINER SEAL (QTY. 1)
	R90925	5 AMP FUSE
	R90928	15 AMP FUSE
NOTE: FUSES ARE SOLD IN QUANTITIES OF FIVE.		

COMPLETE ASSEMBLY	ASSEMBLY REPLACEMENT	CONTROL BOX INFORMATION
AP43014	RAP92307	OPERATES 2 POWER EXTEND / POWER RETRACT AND 2 SPRING RETURN JACKS – USED WITH 8 VALVE MANIFOLDS
AP43248	RAP92337	OPERATES 4 SPRING RETURN JACKS USED WITH 8 VALVE MANIFOLDS
AP43463	RAP92341	OPERATES 4 POWER EXTEND / POWER RETRACT USED WITH 8 VALVE MANIFOLDS
AP43639	RAP92346	SINGLE TOUCH – OPERATES 2 POWER EXTEND / POWER RETRACT AND 2 SPRING RETURN JACKS – USED WITH 8 VALVE MANIFOLDS
AP43839	RAP92454	SINGLE TOUCH – OPERATES 4 SPRING RETURN JACKS USED WITH 8 VALVE MANIFOLDS
AP43840	RAP92455	SINGLE TOUCH – OPERATES 4 POWER EXTEND / POWER RETRACT USED WITH 8 VALVE MANIFOLDS
AP46464	RAP92973	SINGLE TOUCH – OPERATES 4 SPRING RETURN JACKS USED WITH 4 VALVE MANIFOLDS – ROOM ENABLE OUTPUT

HWH CONTROL UNIT | ELECTRONIC

"CONTROL BOX" 2000 SERIES

COMPUTER / TOUCH PANEL-CONTROLLED LEVELING SYSTEMS (Air, Hyd & Air/Hyd)
METAL/PLEXI GLASS BOX | 8.50" x 11.50"

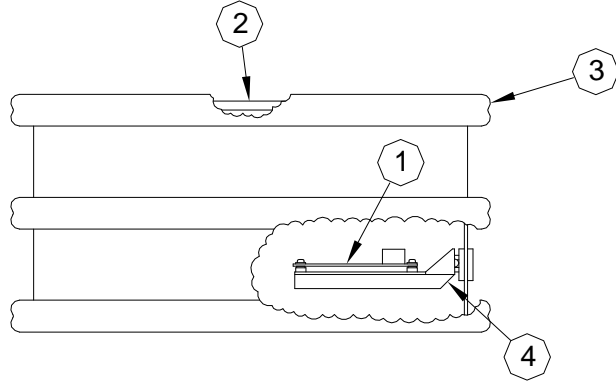
(File: MR157000.DOC | Revised: 11JUN18)

[Print Friendly PDF File](#)

2000 SERIES CONTROL BOXES ARE TO BE REPLACED AS A "COMPLETE ASSEMBLY". LOCATE YOUR CONTROL BOX IN THE "COMPLETE ASSEMBLY" COLUMN. THE "ASSEMBLY REPLACEMENT" COLUMN WILL SHOW THE REPLACEMENT NUMBER FOR THE "COMPLETE ASSEMBLY".

ALL ASSEMBLIES, SINGLE OR STACKED, WILL HAVE ONE "ASSEMBLY" LABEL LOCATED ON THE OUTSIDE. EACH RING WILL HAVE A "COMPONENT" LABEL ON THE INSIDE.

REPLACEMENT PARTS



ITEM	PART	DESCRIPTION
1	RAP92304	SENSING UNIT
2	RAP91932	CLEAR POLY COVER
3	RP92193	RETAINER SEAL (1 PER RP92193)
4	SEE > MR452005.HTML FOR SENSING UNIT MOUNTING HARDWARE INFORMATION.	
	R90924	3 AMP FUSE
	R90925	5 AMP FUSE
	R90926	7.5 AMP FUSE
	R90927	10 AMP FUSE
	R90928	15 AMP FUSE

NOTE: FUSES ARE SOLD IN QUANTITIES OF FIVE.

COMPLETE ASSEMBLY	ASSEMBLY REPLACEMENT	NUMBER OF RINGS	PRIMARY OEM CONTROL BOX INFORMATION
AP39988	RAP92226	2	ACTIVE AIR CONVERSION CENTRAL CONTROL MODULE WITH OUTPUTS FOR 1 ROOM
AP39989	RAP92227	1	ACTIVE AIR CONVERSION FRONT I/O MODULE WITH OUTPUTS FOR FRONT ACTIVE AIR
AP39990	RAP92228	1	ACTIVE AIR CONVERSION REAR I/O MODULE WITH OUTPUTS FOR REAR ACTIVE AIR
AP40089	RAP92229	1	ACTIVE AIR CONVERSION CENTRAL CONTROL MODULE
AP40749	RAP92230	2	ACTIVE AIR CONVERSION – CENTRAL CONTROL MODULE WITH OUTPUTS FOR HYDRAULIC LEVELING
AP40752	RAP92231	1	ACTIVE AIR CONVERSION FRONT I/O MODULE WITH OUTPUTS FOR FRONT ACTIVE AIR
AP41524	RAP92213	2	FORETRAVEL INC. – ACTIVE AIR CENTRAL CONTROL MODULE WITH OUTPUTS FOR 4 ROOMS AND GEN SLIDE
AP41529	RAP92324	1	FORETRAVEL INC. – FRONT I/O MODULE WITH OUTPUTS FOR FRONT ACTIVE AIR – REPLACED BY AP42581
AP41640	RAP92216	2	FORETRAVEL INC. – ACTIVE AIR CENTRAL CONTROL MODULE WITH OUTPUTS FOR 4 ROOMS AND GEN SLIDE
AP41765	RAP92219	2	BLUE BIRD COACHWORKS – ACTIVE AIR CENTRAL CONTROL MODULE WITH OUTPUTS FOR HYDRAULIC LEVELING AND 2 ROOMS
AP41766	RAP92220	2	BLUE BIRD COACHWORKS – FRONT I/O MODULE WITH OUTPUTS FOR FRONT ACTIVE AIR AND 2 ROOMS
AP41767	RAP92221	1	BLUE BIRD COACHWORKS REAR I/O MODULE WITH OUTPUTS FOR REAR ACTIVE AIR
AP41855	RAP92218	1	FORETRAVEL INC. REAR I/O MODULE WITH OUTPUTS FOR REAR ACTIVE AIR
AP41995	RAP92217	2	FORETRAVEL INC. – ACTIVE AIR CENTRAL CONTROL MODULE WITH OUTPUTS FOR 4 ROOMS AND GEN SLIDE
AP42580	RAP92322	2	BLUE BIRD COACHWORKS – ACTIVE AIR CENTRAL CONTROL MODULE WITH OUTPUTS FOR 2 ROOMS AND HYDRAULIC JACKS
AP42581	RAP92324	1	FORETRAVEL INC. AND BLUE BIRD COACHWORKS FRONT I/O MODULE WITH OUTPUTS FOR FRONT ACTIVE AIR

AP42582	RAP92325	2	BLUE BIRD COACHWORKS – REAR I/O MODULE WITH OUTPUTS FOR REAR ACTIVE AIR AND 2 ROOMS
AP42659	RAP92331	2	ACTIVE AIR CONVERSION–ACTIVE AIR CENTRAL CONTROL MODULE AND FRONT I/O MODULE WITH OUTPUTS FOR FRONT ACTIVE AIR
AP42693	RAP92332	1	ACTIVE AIR CONVERSION FRONT I/O MODULE WITH OUTPUTS FOR FRONT ACTIVE AIR
AP42904	RAP92334	2	FORETRAVEL INC. – ACTIVE AIR CENTRAL CONTROL MODULE WITH OUTPUTS FOR 3 ROOMS AND GEN SLIDE
AP42910	RAP92335	2	FORETRAVEL INC. – ACTIVE AIR CENTRAL CONTROL MODULE WITH OUTPUTS FOR 3 ROOMS AND GEN SLIDE
AP43102	RAP92336	2	FORETRAVEL INC. – ACTIVE AIR CENTRAL CONTROL MODULE WITH OUTPUTS FOR 3 ROOMS AND GEN SLIDE
AP43356	RAP92338	1	NO CURRENT USAGE
AP43364	RAP92339	1	FORETRAVEL INC. AND ACTIVE AIR CONVERSION REAR I/O MODULE WITH OUTPUTS FOR REAR ACTIVE AIR
AP43380	RAP92340	3	ACTIVE AIR CONV.-CENTRAL CONTROL AND FRONT AIR/ROOM I/O MODULE WITH OUTPUTS FOR FRONT ACTIVE AIR AND 3 ROOMS
AP43498	RAP92342	3	ACTIVE AIR CONV.-CENTRAL CONTROL AND FRONT AIR/ROOM I/O MODULE WITH OUTPUTS FOR FRONT ACTIVE AIR AND 3 ROOMS
AP43530	RAP92343	2	ACTIVE AIR CONVERSION – CENTRAL CONTROL MODULE WITH OUTPUTS FOR HYDRAULIC LEVELING
AP43560	RAP92344	2	FORETRAVEL INC. – ACTIVE AIR CENTRAL CONTROL MODULE WITH OUTPUTS FOR 2 ROOMS AND GEN SLIDE
AP43585	RAP92345	2	NO USAGE - SEE AP45034
AP44405	RAP92996	2	ACTIVE AIR CONVERSION-ACTIVE AIR CENTRAL CONTROL MODULE AND FRONT I/O MODULE WITH OUTPUTS FOR FRONT ACTIVE AIR
AP44406	RAP92997	1	ACTIVE AIR CONVERSION REAR I/O MODULE WITH OUTPUTS FOR REAR ACTIVE AIR
AP44521	RAP92998	2	FORETRAVEL INC. – ACTIVE AIR CENTRAL CONTROL MODULE WITH OUTPUTS FOR 4 ROOMS AND GEN SLIDE
AP44540	RAP92999	2	FORETRAVEL INC. – ACTIVE AIR CENTRAL CONTROL MODULE WITH OUTPUTS FOR 3 ROOMS AND GEN SLIDE
AP44751	RAP93001	2	FORETRAVEL INC. – ACTIVE AIR CENTRAL CONTROL MODULE WITH OUTPUTS FOR 3 ROOMS AND GEN SLIDE
AP44819	RAP93009	2	FORETRAVEL INC. – ACTIVE AIR CENTRAL CONTROL MODULE WITH OUTPUTS FOR 3 ROOMS, GEN SLIDE AND FLOOR
AP45034	RAP92345	2	FORETRAVEL INC. – ACTIVE AIR CENTRAL CONTROL MODULE WITH OUTPUTS FOR 4 ROOMS AND GEN SLIDE
AP45042	RAP93002	2	FORETRAVEL INC. – ACTIVE AIR CENTRAL CONTROL MODULE WITH OUTPUTS FOR 4 ROOMS AND GEN SLIDE
AP45351	RAP93004	2	NO CURRENT USAGE
AP45394	RAP93005	2	FORETRAVEL INC. – ACTIVE AIR CENTRAL CONTROL MODULE WITH OUTPUTS FOR 3 ROOMS AND GEN SLIDE
AP45964	RAP93006	2	NO CURRENT USAGE
AP47524	RAP93007	3	ACTIVE AIR CONV. – CENTRAL CONTROL AND FRONT AIR/ROOM I/O MODULE WITH OUTPUTS FOR FRONT ACTIVE AIR AND 4 ROOMS
AP49030	RAP93008	1	FORETRAVEL INC. AND ACTIVE AIR CONVERSION REAR I/O MODULE WITH OUTPUTS FOR REAR ACTIVE AIR

HWH CONTROL UNIT | ELECTRONIC

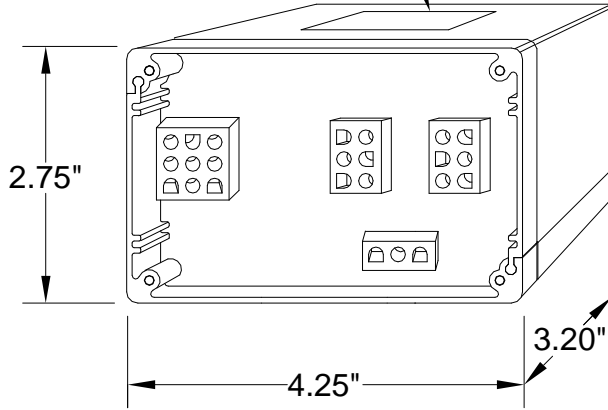
"CONTROL BOX"

TRAVEL CLAMP CONTROL BOX
 COMPUTER / TOUCH PANEL-CONTROLLED LEVELING SYSTEMS (Air, Hyd & Air/Hyd)
 METAL/PLEXI GLASS BOX | 2.75" x 4.25" x 3.20"

(File: MR159000.DOC | Revised: 11JUN18)

[Print Friendly PDF File](#)

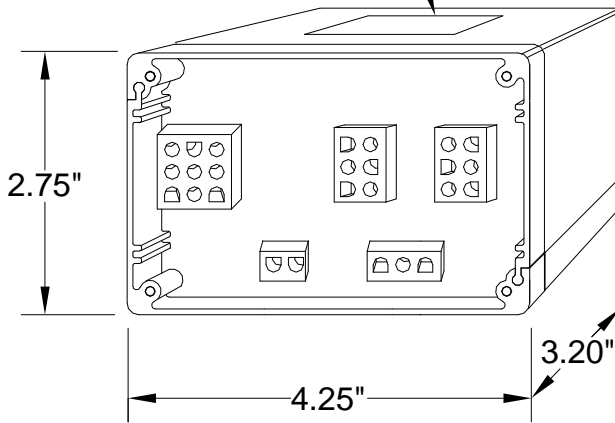
SERIAL AND PART NUMBER *



TRAVEL CLAMP SEQUENCE BOX

EXISTING NO.	REPLACEMENT NO.
AP40484	RAP91581
REPLACES	
AP29038	

SERIAL AND PART NUMBER *

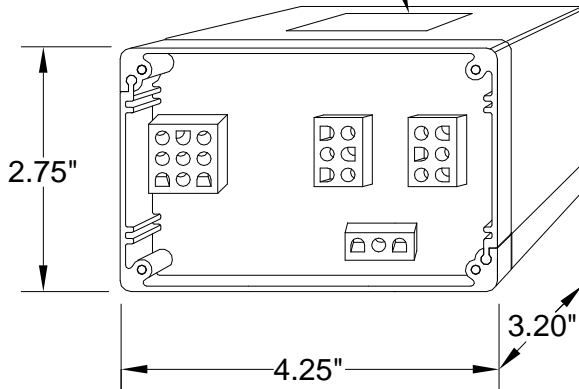


TRAVEL CLAMP SEQUENCE BOX

EXISTING NO.	REPLACEMENT NO.
AP40185	RAP91650
REPLACES	
AP34567	

NOTE: THIS BOX IS USED PRIMARILY ON FLEETWOOD COACHES.

SERIAL AND PART NUMBER *



TRAVEL CLAMP SEQUENCE BOX

EXISTING NO.	REPLACEMENT NO.
AP45967	RAP92972

NOTE: THIS BOX IS USED FOR THREE CLAMP SYSTEMS.

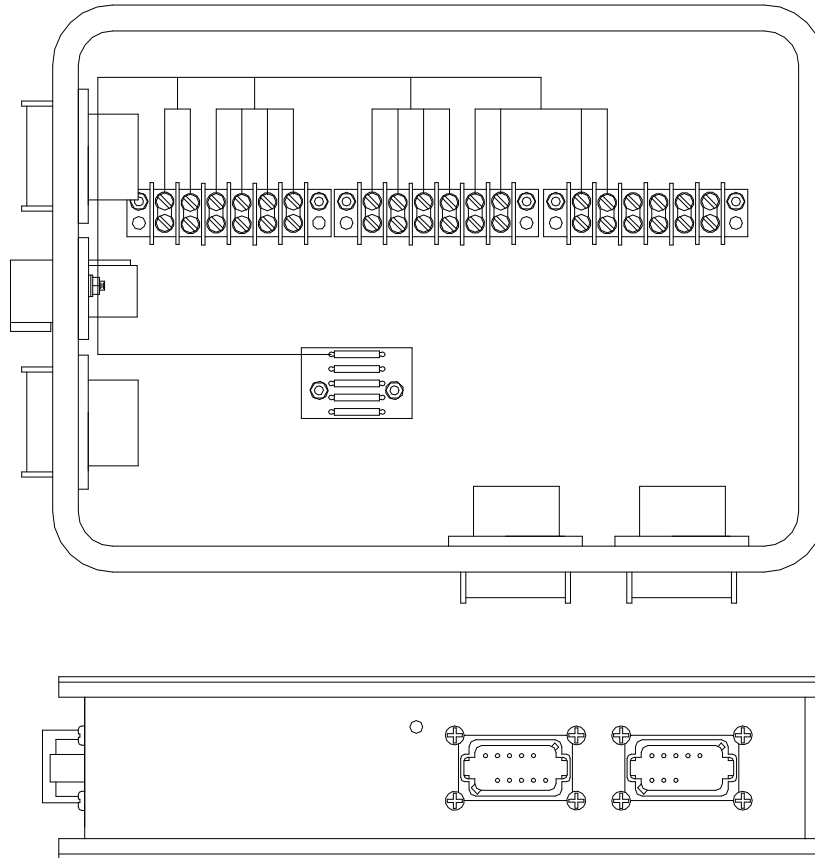
HWH CONTROL UNIT | ELECTRONIC

"JUNCTION BOX"

COMPUTER / TOUCH PANEL-CONTROLLED LEVELING SYSTEMS (Air, Hyd & Air/Hyd)
METAL/PLEXI GLASS BOX | 8.5" X 11.50"

(File: MR159050.DOC | Revised: 16JUL18)

[Print Friendly PDF File](#)



EXISTING NUMBER

DESCRIPTION

REPLACEMENT NUMBER

AP47206

OPERATES UP TO EIGHT ROOMS

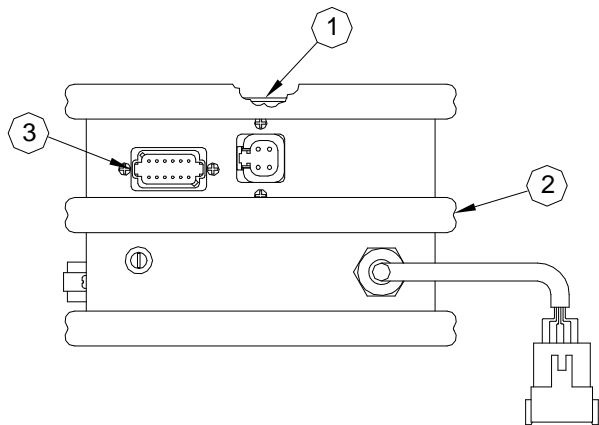
RAP92974

HWH CONTROL UNIT | ELECTRONIC "CONTROL BOX"

COMPUTER / TOUCH PANEL-CONTROLLED LEVELING SYSTEMS (Air, Hyd & Air/Hyd)
METAL/PLEXI GLASS BOX | 8.50" x 11.50"
(File: MR159400.DOC | Revised: 14JUN18)

[Print Friendly PDF File](#)

CONTROL BOXES ARE TO BE REPLACED AS A "COMPLETE ASSEMBLY". LOCATE YOUR CONTROL BOX IN THE "COMPLETE ASSEMBLY" COLUMN. THE "ASSEMBLY REPLACEMENT" COLUMN WILL SHOW THE REPLACEMENT NUMBER FOR THE "COMPLETE ASSEMBLY".

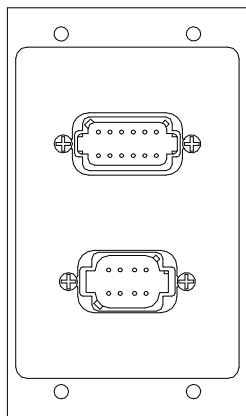


REPLACEMENT PARTS

ITEM	PART	DESCRIPTION
1	RAP91932	CLEAR POLY COVER
2	RP92193	RETAINER SEAL (ONE PER RP92193)
3	RX92641	OUTPUT BOARD (INCLUDES MTG HDWE)
	R90924	3 AMP FUSE
	R90925	5 AMP FUSE
	R90926	7.5 AMP FUSE
	R90928	15 AMP FUSE

NOTE: FUSES ARE SOLD IN QUANTITIES OF FIVE.

COMPLETE ASSEMBLY	ASSEMBLY REPLACEMENT	CONTROL BOX INFORMATION
AP47124	RAP93010	OSHKOSH SPECIALTY VEHICLES MOTORIZED VEHICLES
AP47489	RAP93011	OSHKOSH SPECIALTY VEHICLES / STANTON DYNAMICS NON-MOTORIZED VEHICLE
AP47718	RAP93012	LDV, INC. / 4D MOTORIZED VEHICLE



INTERFACE BOX FOR LDV / 4D

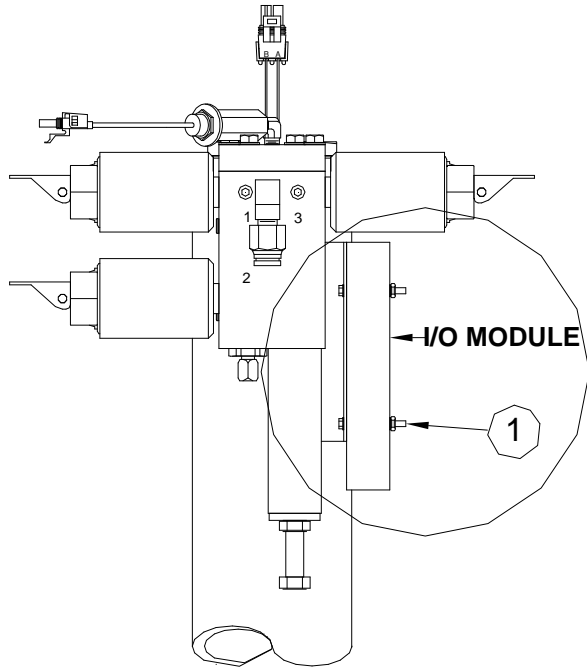
EXISTING NO.	REPLACEMENT NO.
AP48825	RAP93013

HWH CONTROL UNIT | ELECTRONIC

"MIOM"

COMPUTER / TOUCH PANEL-CONTROLLED LEVELING SYSTEMS (Air, Hyd & Air/Hyd)
 METAL/PLEXI GLASS BOX | 8.50" x 11.50"
(File: MR159500.DOC | Revised: 14JUN18)

[Print Friendly PDF File](#)



REPLACEMENT PARTS

ITEM	PART	QTY	DESCRIPTION
1	RAP93016		HDWE KIT MTG
1A		2	#8 X 1.25" SCREW
1B		2	#8 HEX NUT
1C		2	#8 FLAT WASHER
1D		2	#8 LOCK WASHER

NOTE: REPLACEMENT MODULES INCLUDE ITEM 1

COMPLETE ASSEMBLY	ASSEMBLY REPLACEMENT	JACK	OEM
AP47181	RAP92981	LEFT FRONT	OSHKOSH SPECIALTY VEHICLES / STANTON DYNAMICS REPLACEMENT WILL BE AP52051 MODULE WITH ADAPTER.
AP47182	RAP92982	RIGHT FRONT	OSHKOSH SPECIALTY VEHICLES / STANTON DYNAMICS REPLACEMENT WILL BE AP52052 MODULE WITH ADAPTER.
AP47183	RAP92983	RIGHT REAR	OSHKOSH SPECIALTY VEHICLES / STANTON DYNAMICS REPLACEMENT WILL BE AP52053 MODULE WITH ADAPTER.
AP47184	RAP92984	LEFT REAR	OSHKOSH SPECIALTY VEHICLES / STANTON DYNAMICS REPLACEMENT WILL BE AP52054 MODULE WITH ADAPTER.
AP47671	RAP92961	LEFT FRONT	LDV INC. / 4D
AP47672	RAP92962	RIGHT FRONT	LDV INC. / 4D
AP47673	RAP92963	RIGHT REAR	LDV INC. / 4D
AP47674	RAP92964	LEFT REAR	LDV INC. / 4D
AP52051	RAP93351	LEFT FRONT	KENTUCKY TRAILER TECHNOLOGIES / STANTON DYNAMICS
AP52052	RAP93352	RIGHT FRONT	KENTUCKY TRAILER TECHNOLOGIES / STANTON DYNAMICS
AP52053	RAP93353	RIGHT REAR	KENTUCKY TRAILER TECHNOLOGIES / STANTON DYNAMICS
AP52054	RAP93354	LEFT REAR	KENTUCKY TRAILER TECHNOLOGIES / STANTON DYNAMICS