

HWH® PARTS MANUAL
SUB TABLE of CONTENTS
SLIDE-OUT SYSTEM ACCESSORIES
 (Seals | Travel Clamps | Locks | Manual Retract Devices)
 (Filename: MR419.XLS) (Revised: 03NOV15)

[ML11428-419 \(Click to View Entire Section | PDF File | No Links | MR419-419Z\)](#)

▶ [OEM Product Guide](#)

This guide lists each HWH® OEM and which HWH® Slide-Out Systems / Accessories they have used on vehicles. It will guide you to the correct Parts Manual page.

Slide-Out Accessories

- ▶ [Seals - Environmental Seals for Slide-Outs](#)
- ▶ [Travel Clamps for Slide-Outs](#)
- ▶ [Locks for Slide-Outs](#)
- ▶ [Retraction Devices for Manually Retracting Slide-Outs \(Winches/Screws\)](#)

Slide-Out Accessories (Clamps / Locks / Manual Retract Devices / Seals / Trim)

Seal (Environmental) - Air & Wiper/Bulb Seals for Slide-Outs

Seal (Environmental) BULK Trim, Seal & Seal Retainers [MR41.9200.HTML](#)

Quick Reference Page

(If you know the AIR "SEAL" CONTROL UNIT AP#,
click here for the replacement [MR02.0010.PDF](#))

AIR SEAL CONTROL UNIT, AIR SOLENOID VALVE & VACUUM SWITCH RAP#.)

Travel Clamps

for One Switch and Two Switch Panel Operation
with Sequence Box (as applicable) [MR41.9500](#)

Fleetwood - for Systems Using One Rocker Switch Operator's Panel
Two Travel Clamps and a Sequence Box [MR41.9510](#)

Fleetwood - for Systems Using One Rocker Switch Operator's Panel
and a Single Travel Clamp [MR41.9512](#)

Locks

RAP90689
RAP91906 [MR41.9600](#)
RAP91903

RAP90592 [MR41.9601](#)

RAP91411 [MR41.9605](#)
RAP91910

RAP91909
RAP91905 [MR41.9610](#)
RAP91908

Manual Retract Devices

Retract Winches [MR41.9900](#)

Retract Screws [MR41.9910](#)




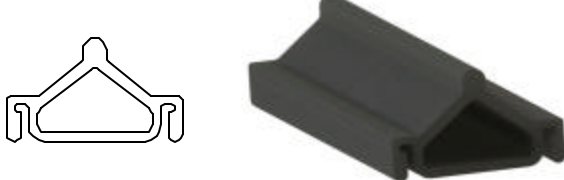
HWH PARTS MANUAL
ENVIRONMENTAL SEALS, SEAL RETAINERS & TRIM
for
HWH SLIDE-OUTS

(Filename: MR41.9200.DOC | Revised: 27JUL17)



[**SEALS**](#)

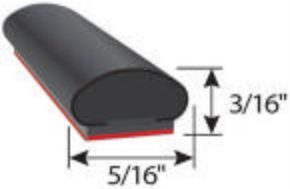
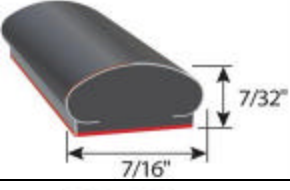

[**RETAINERS for SEALS**](#)

[**TRIM**](#)

SEALS for SLIDE-OUTS			
ORDER #	VISUAL I.D.	DESCRIPTION	QTY
R54418 ORDER		Extruded Wiper Seal 1.235 (P54418 - SEAL WPR EXTR 1.235 120') (P33661 - SEAL WPR EXTR 1.235 MATL)	120 Feet
R54419 ORDER		Extruded Wiper Seal 1.485 (P54419 - SEAL WPR EXTR 1.485 100') (P39526 - SEAL WPR EXTR 1.485 MATL)	100 Feet
R54420 ORDER		Extruded Bulb Seal Black (P54420 - SEAL BULB EXTR 400') (P32951 - SEAL BULB EXTR MATL)	400 Feet
Special Order Only Contact HWH to Order.		Extruded AIR Seal (APXXXXX SEAL AIR ASSY XXX") (P48976 SEAL AIR MATL)	Custom Lengths

SEAL RETAINERS for SLIDE-OUT SEALS

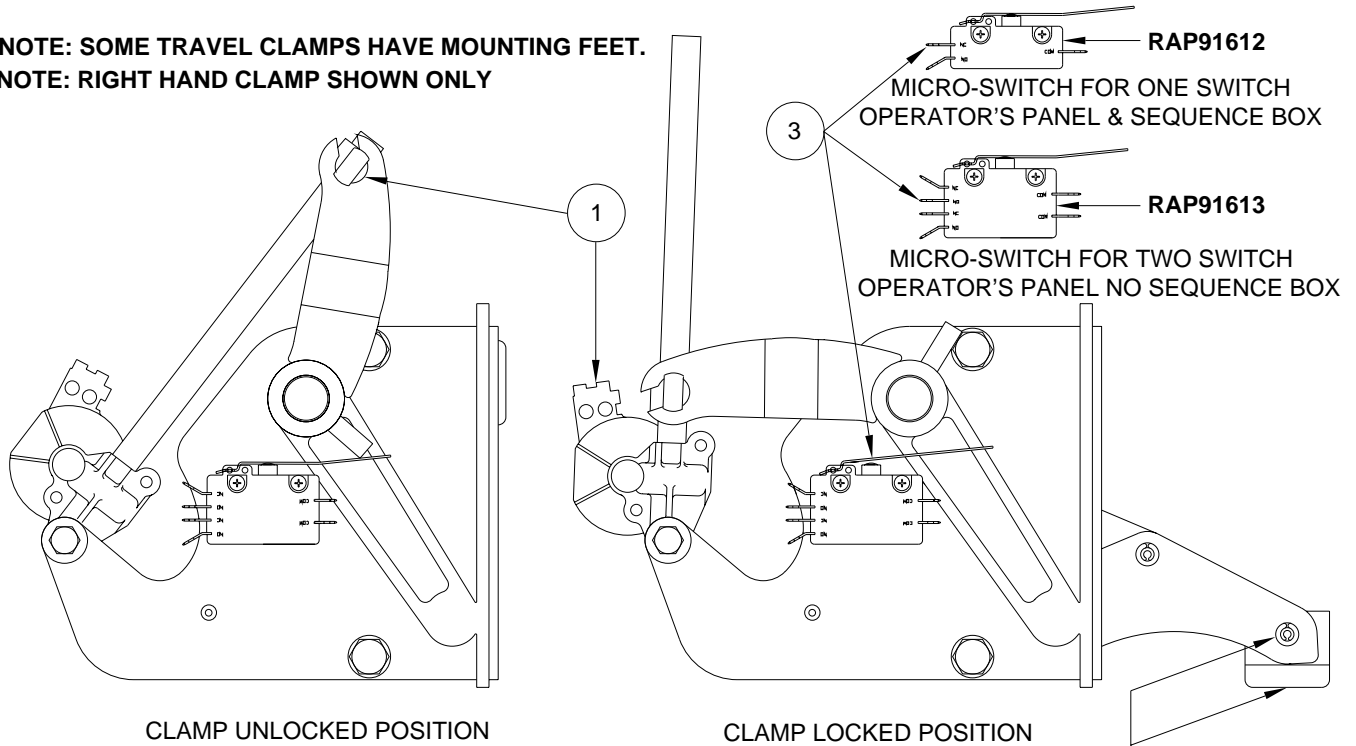
ORDER #	VISUAL I.D.	DESCRIPTION	QTY
<p>R54415 ORDER</p>		<p>Retainer for WIPER Seal Black (P54415 - RETNR SEAL WPR 100') (P33663 - RETNR SEAL WPR MATL)</p>	<p>100 Feet</p>
<p>R54421 ORDER</p>		<p>Retainer for AIR Seal Black .355 (P54421 - RETNR SEAL AIR .355/100') (P13718 - RETNR SEAL AIR .355 MATL)</p>	<p>100 Feet</p>

TRIM for SLIDE-OUTS			
ORDER #	VISUAL I.D.	DESCRIPTION	QTY
R54412 ORDER		"D" Style Vinyl Trim Black 5/16" (P54412 - TRIM D EXTR 5/16X500') (P48953 - TRIM D EXTR MATL)	500 Feet
R54413 ORDER		"D" Style Vinyl Trim Black 7/16" (P54413 - TRIM D EXTR 7/16X500') (P51142 - TRIM D EXTR MATL)	500 Feet
R54414 ORDER		"D" Style Vinyl Trim Black 0.063" (P54414 - TRIM D EXTR .063X150') (P51455 - TRIM D EXTR MATL)	150 Feet

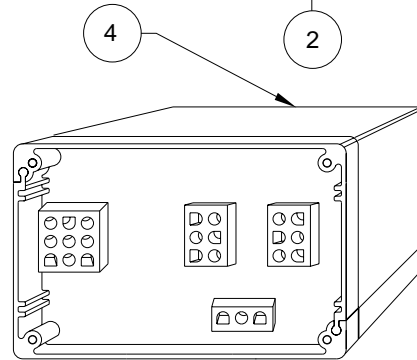
TRAVEL CLAMP

FOR ONE SWITCH AND TWO SWITCH PANEL OPERATION WITH SEQUENCE BOX (AS APPLICABLE)

**NOTE: SOME TRAVEL CLAMPS HAVE MOUNTING FEET.
NOTE: RIGHT HAND CLAMP SHOWN ONLY**

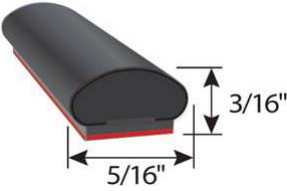
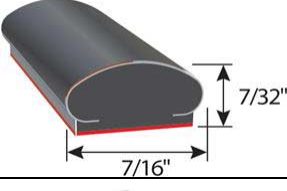



ITEM	PART	QTY	DESCRIPTION
1	RAP91234	1	GEAR MOTOR
		1	GEAR MOTOR SADDLE
2	RAP91625	1	FOOT KIT
		1	FOOT HDPE
		1	ROLL PIN 3/8 X 0.75
		1	ROLL PIN 7/32 X 0.75
3	SEE TABLE BELOW		MICRO SWITCH
4	RAP91581	1	SEQUENCE BOX REPLACES AP29038



NOTE: NOT ALL TRAVEL CLAMPS USE SEQUENCE BOX. SEQUENCE BOX TYPICALLY USED WITH ONE SWITCH OPERATOR'S PANEL.

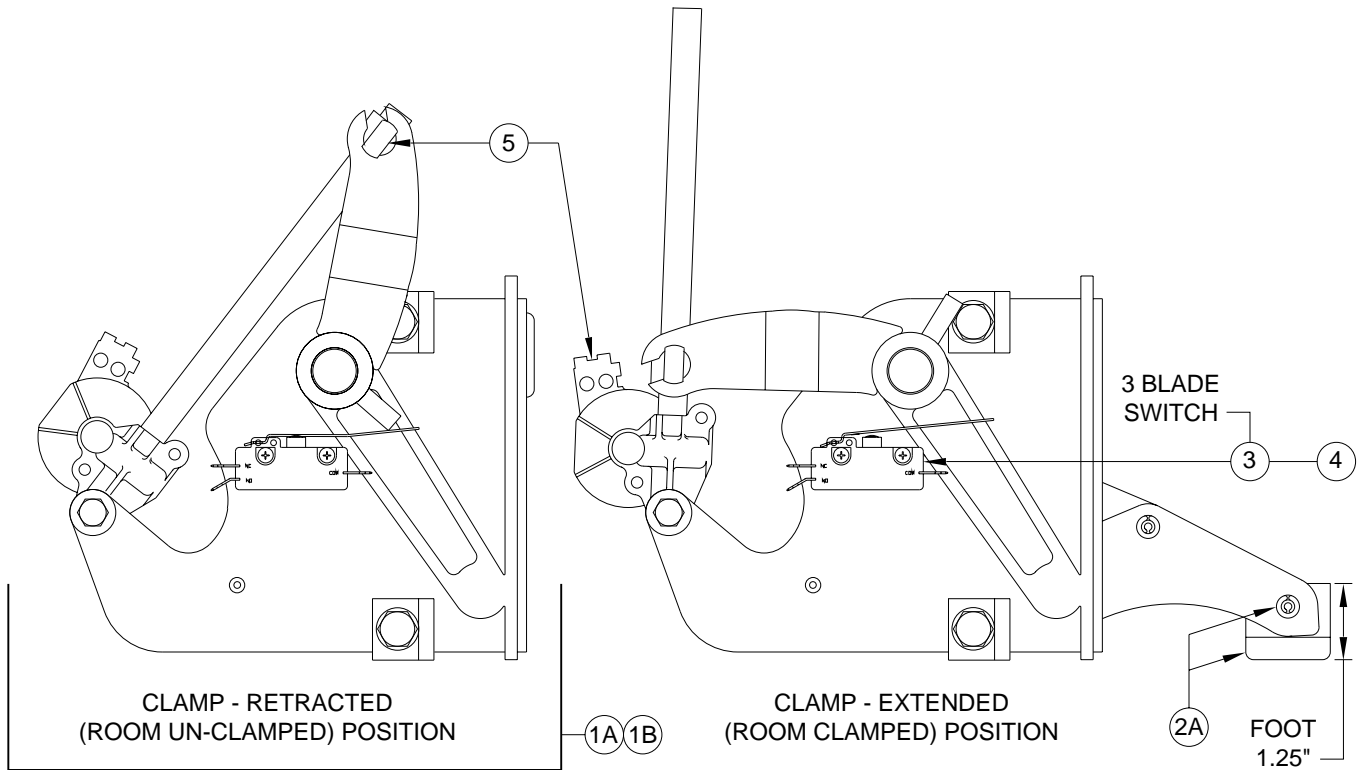
CLAMP NUMBER	REPLACEMENT CLAMP	REPLACEMENT SWITCH (ITEM 3)	MTG FEET
AP29000 - LH	RAP91614 - LH	RAP91612	NO
AP29001 - RH	RAP91615 - RH	RAP91612	NO
AP30989 - LH	RAP91618 - LH	RAP91613	NO
AP30990 - RH	RAP91619 - RH	RAP91613	NO
AP31260 - LH	RAP91620 - LH	RAP91613	YES
AP31261 - RH	RAP91621 - RH	RAP91613	YES
AP29625 - LH	RAP91616 - LH	RAP91612	YES
AP29626 - RH	RAP91617 - RH	RAP91612	YES
AP42912 - VERT.	RAP92300 - VERT.	RAP91613	YES
AP42913 - VERT.	RAP92301 - VERT.	RAP91612	YES

TRIM		
ORDER #	DESCRIPTION	QTY
R54412 ORDER		"D" Style Vinyl Trim Black 5/16" 500 Feet
R54413 ORDER		"D" Style Vinyl Trim Black 7/16" 500 Feet
R54414 ORDER		"D" Style Vinyl Trim Black 0.063" 150 Feet

CLAMP, TRAVEL - FLEETWOOD

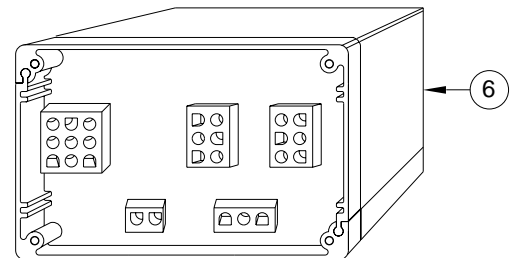
FOR SYSTEMS USING A ONE ROCKER SWITCH OPERATOR'S PANEL
TWO TRAVEL CLAMPS AND A SEQUENCE BOX
KEY IDENTIFICATION FEATURES - SEE DIAGRAM ITEMS 2 & 3

NOTE: RIGHT HAND CLAMP SHOWN ONLY



ITEM "1" IS FOR COMPLETE ASSY REPLACEMENT ONLY
REFER TO HWH PART LABEL FOR AP-ASSY NUMBER

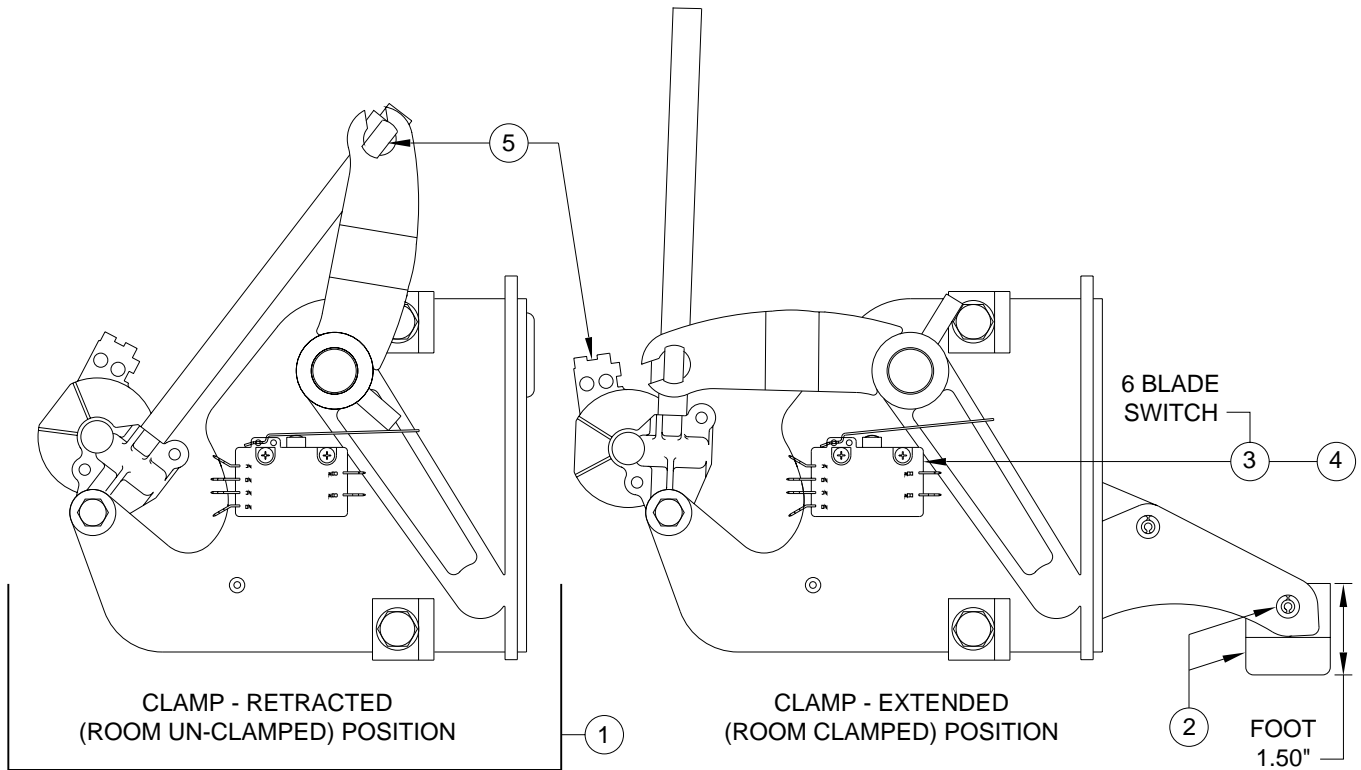
ITEM	ORDER	QTY - DESCRIPTION
1A	RAP91622 - LH ASSY NARROW FOOT RAP91623 - RH ASSY NARROW FOOT	1 - CLAMP, TRAVEL - LH REPLACES AP32955 1 - CLAMP, TRAVEL - RH REPLACES AP32956
2A	RAP91625	1 - FOOT 1.25" X 1.375" 1 - ROLL PIN 3/8 X 0.75 1 - ROLL PIN 7/32 X 0.75
1B	RAP92057 - LH ASSY WIDE FOOT RAP92058 - RH ASSY WIDE FOOT	1 - CLAMP, TRAVEL - LH REPLACES AP39486 1 - CLAMP, TRAVEL - RH REPLACES AP39487
2B	RAP92059	1 - FOOT 1.50" X 1.375" 1 - ROLL PIN 3/8 X 0.75 1 - ROLL PIN 7/32 X 0.75
3	RAP91612	1 - SWITCH, 3 BLADE
4	RAP91652	1 - PIGTAIL, NOT SHOWN REPLACES AP29572
5	RAP91234	1 - GEAR MOTOR 1 - SADDLE, THREADED
6	RAP91650	1 - BOX, SEQUENCE REPLACES AP34567



SEQUENCE BOX

CLAMP, TRAVEL - FLEETWOOD

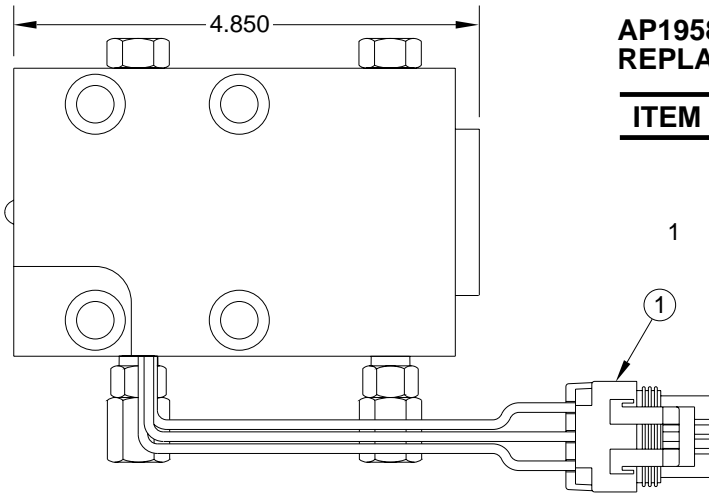
FOR SYSTEMS USING A TWO ROCKER SWITCH OPERATOR'S PANEL
AND A SINGLE TRAVEL CLAMP
KEY IDENTIFICATION FEATURES - SEE DIAGRAM ITEMS 2 & 3



ITEM "1" IS FOR COMPLETE ASSY REPLACEMENT ONLY
REFER TO HWH PART LABEL FOR AP-ASSY NUMBER

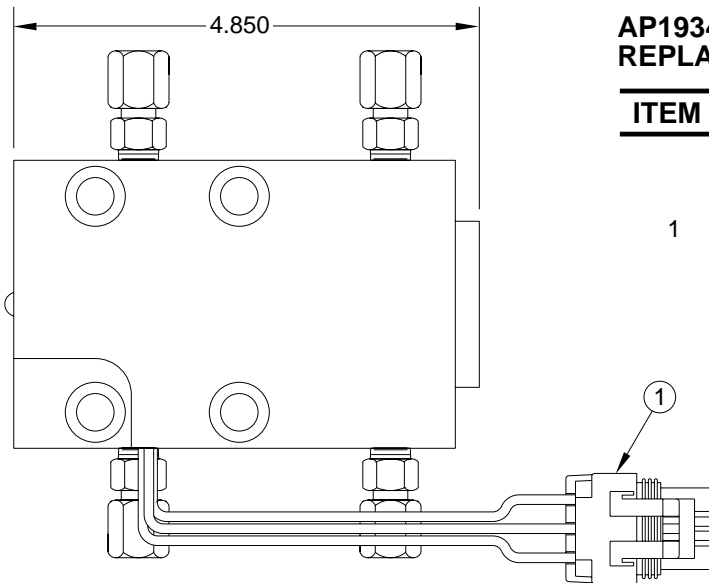
ITEM	ORDER	QTY - DESCRIPTION
1	RAP92060	1 - CLAMP, TRAVEL REPLACES AP38825
2	RAP92059	1 - FOOT 1.50" X 1.375" 1 - ROLL PIN 3/8 X 0.75 1 - ROLL PIN 7/32 X 0.75
3	RAP91613	1 - SWITCH, 6 BLADE
4	RAP92061	1 - PIGTAIL, NOT SHOWN REPLACES AP39131
5	RAP91234	1 - GEAR MOTOR 1 - SADDLE, THREADED

ROOM LOCKING CYLINDERS FOR HYDRAULIC ROOM EXTENSIONS



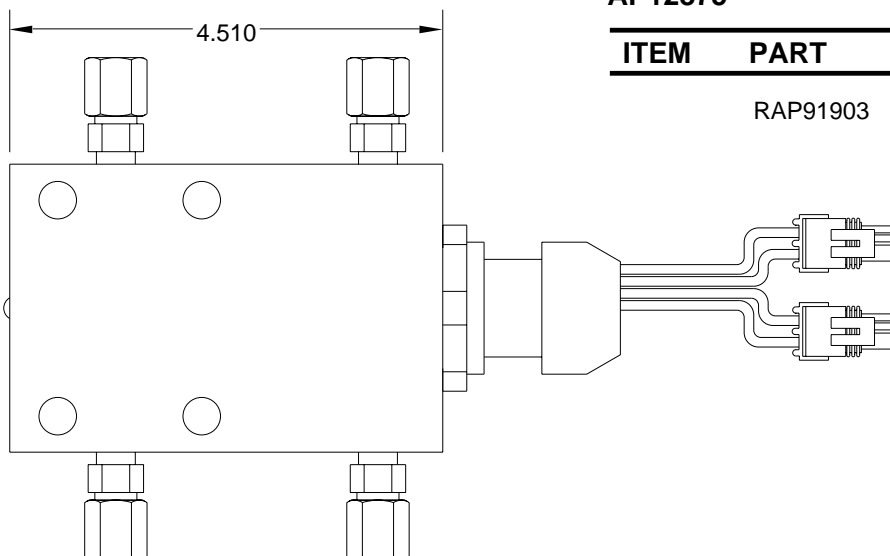
AP19581 REPLACEMENT PARTS

ITEM	PART	DESCRIPTION
1	RAP90669	LOCK CYLINDER COMPLETE
	RAP90692	REED SWITCH



AP19340 REPLACEMENT PARTS

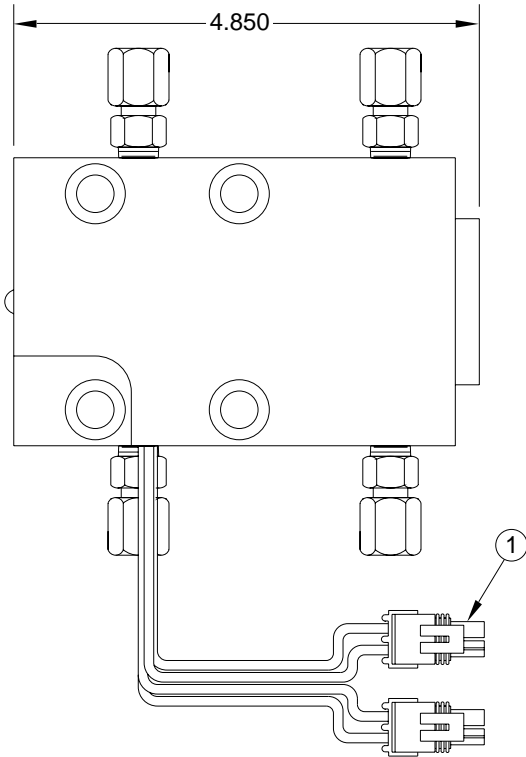
ITEM	PART	DESCRIPTION
1	RAP91906	LOCK CYLINDER COMPLETE
	RAP90692	REED SWITCH



AP12875

ITEM	PART	DESCRIPTION
1	RAP91903	LOCK CYLINDER COMPLETE

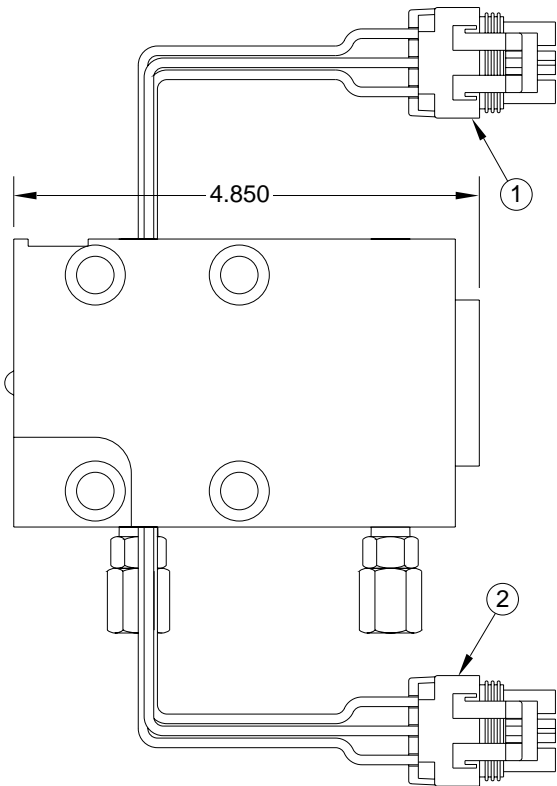
ROOM LOCKING CYLINDERS FOR HYDRAULIC ROOM EXTENSIONS



AP16701 REPLACEMENT PARTS

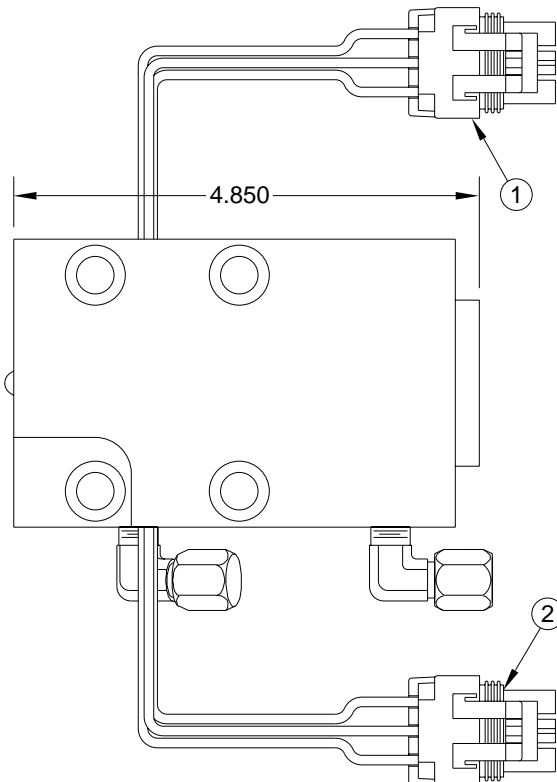
ITEM	PART	DESCRIPTION
	RAP90592	LOCK CYLINDER COMPLETE
1	RAP90691	REED SWITCH

ROOM LOCKING CYLINDERS FOR HYDRAULIC ROOM EXTENSIONS



AP19920 REPLACEMENT PARTS

ITEM	PART	DESCRIPTION
	RAP91411	LOCK CYLINDER COMPLETE
1	RAP90693	MICRO SWITCH
2	RAP90692	REED SWITCH



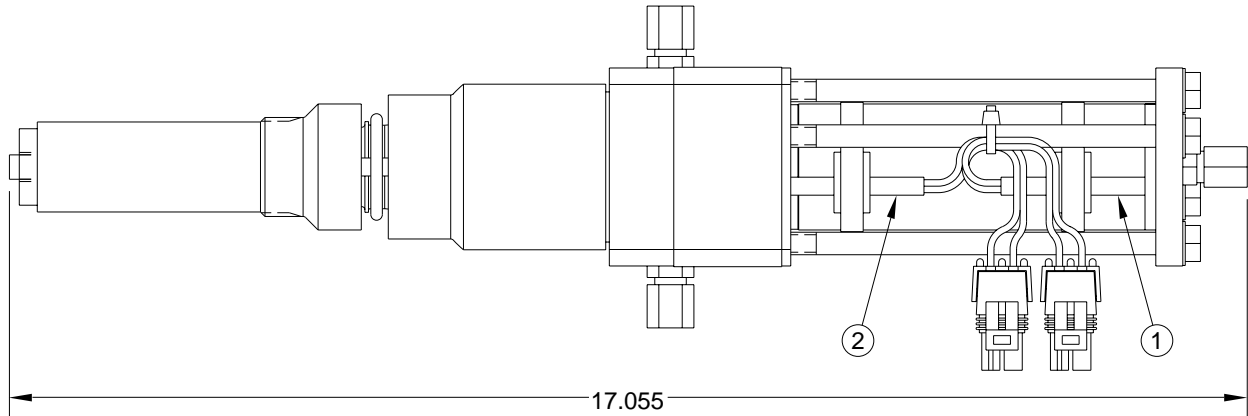
AP22749 REPLACEMENT PARTS

ITEM	PART	DESCRIPTION
	RAP91910	LOCK CYLINDER COMPLETE
1	RAP90693	MICRO SWITCH
2	RAP90692	REED SWITCH

ROOM LOCKING CYLINDERS FOR HYDRAULIC ROOM EXTENSIONS

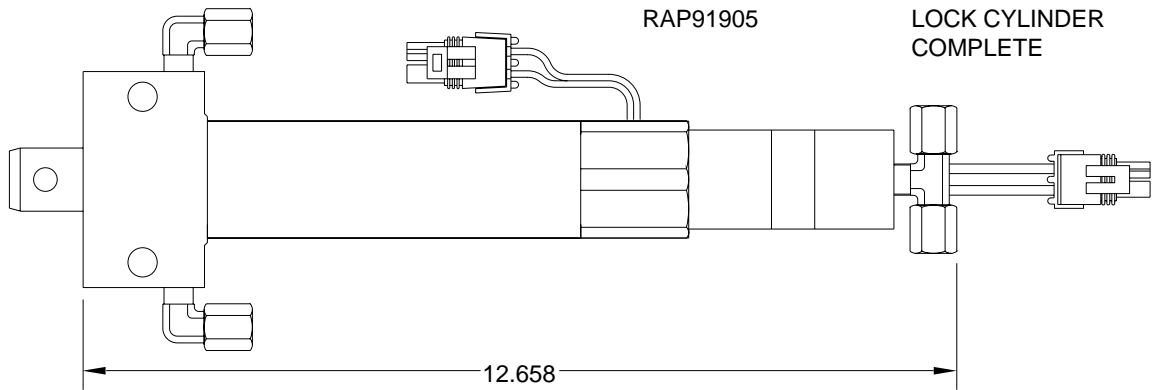
AP15440 REPLACEMENT PARTS

ITEM	PART	DESCRIPTION
	RAP91909	LOCK CYLINDER COMPLETE
1	RAP91907	REED SWITCH UNLOCK
2	RAP91904	REED SWITCH LOCK



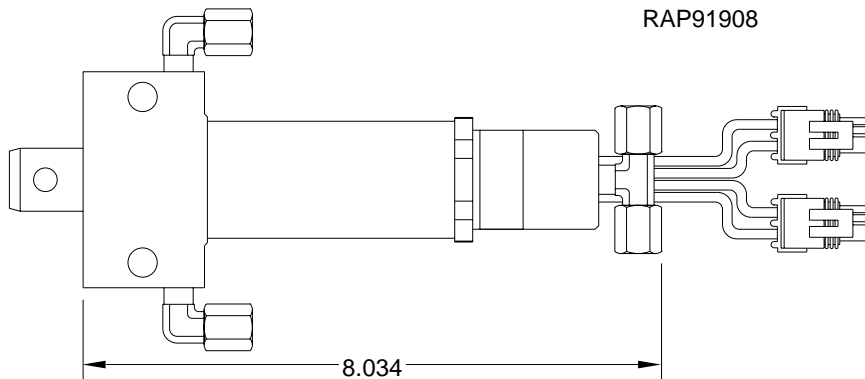
AP14292

ITEM	PART	DESCRIPTION
	RAP91905	LOCK CYLINDER COMPLETE

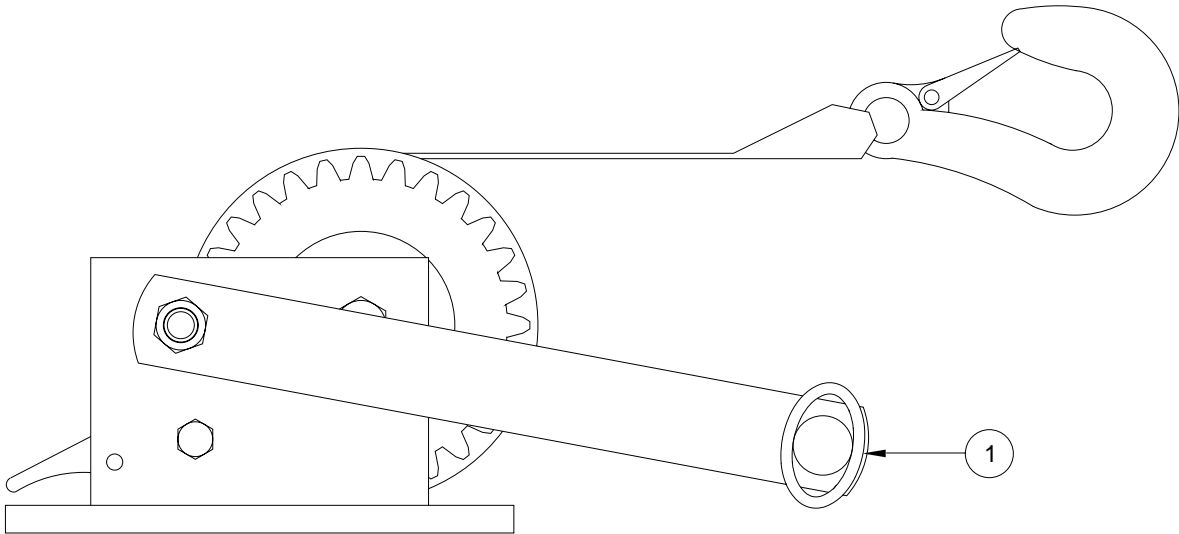


AP15658

ITEM	PART	DESCRIPTION
	RAP91908	LOCK CYLINDER COMPLETE

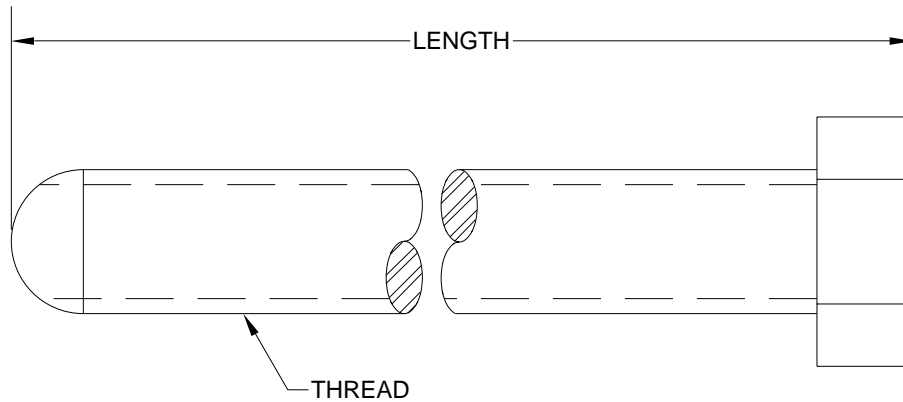


MANUAL RETRACT ROOM WINCHES



ITEM	PART	QTY	DESCRIPTION
	RAP90511 REPLACES AP13831	1	10' LONG
	AP10921 - OBSOLETE SEE RAP90511	1	8' LONG - FOR WINNEBAGO
	AP12799 SEE RAP90511	1	10' LONG - FOR EUROPE
1	RAP90813	1	REPLACEMENT HANDLE AND NUT

MANUAL RETRACT ROOM SCREWS



PART	LENGTH	THREAD	REPLACEMENT PART
AP27277	39.250"	1/2"-10 ACME	RAP91357
AP29770	30.500"	1/2"-10 ACME	RAP91643
AP30001	40.000"	3/4"-6 ACME	RAP92464
AP30316	42.250"	1/2"-10 ACME	RAP93508
AP31895	30.625"	1/2"-10 ACME	RAP91758
AP31909	32.000"	3/4"-6 ACME	RAP93505
AP32717	7.950"	3/8"-10 ACME	RAP93506
AP33087	32.625"	1/2"-10 ACME	RAP92675
AP43182	19.000"	3/4"-6 ACME	RAP93509
AP46136	10.000"	1/2"-10 ACME	RAP93507
AP48305	26.800"	1/2"-10 ACME	RAP93510
AP48560	43.750"	1/2"-10 ACME	RAP93511
AP50181	31.500"	1/2"-10 ACME	RAP93512
AP51812	28.500"	1/2"-10 ACME	RAP93513
AP52096	37.400"	1/2"-10 ACME	RAP93514
AP52270	54.000"	1/2"-10 ACME	RAP93516