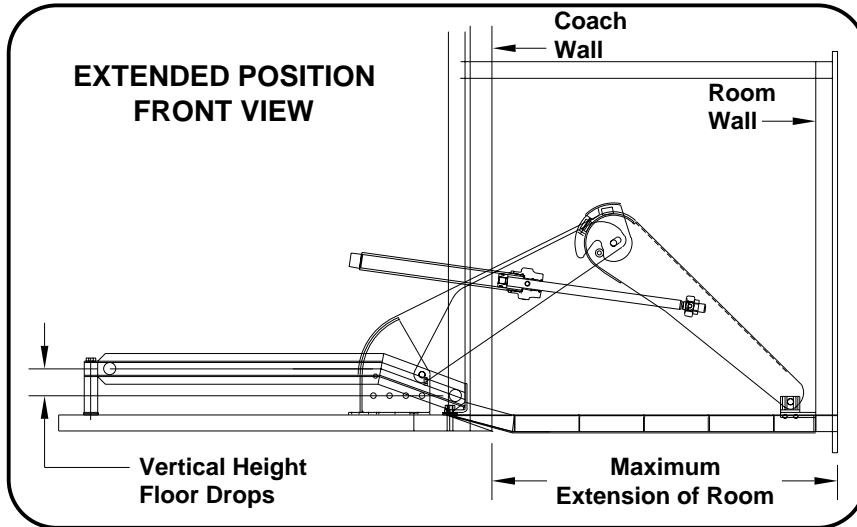


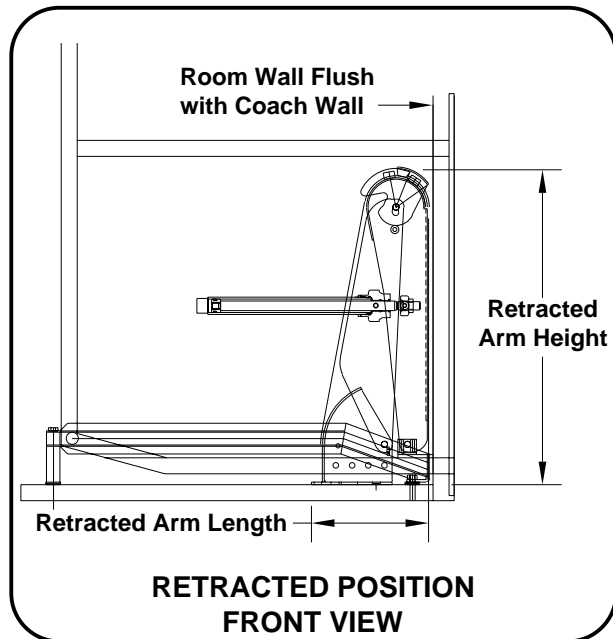
## Specifications & Features

# The HWH® SpaceMaker® : "Vertical Arm - Level Out Floor" Room Extension (With HWH Synchronizing Cylinder)



### Features...

- ~ Floor gradually descends during extension, providing a flush floor while in the extended position.
- ~ A hydraulic extension cylinder is located inside each of the two "Vertical Arm" mechanisms.
- ~ Extension and retraction movements are controlled by HWH's exclusive Synchronizing Cylinder™
- ~ The mechanism is easily operated with the use of a momentary switch.



### Specifications...

#### WEIGHTS (lbs.)

Each "Vertical Arm" Assembly (2)	45.2
Synchronizing Cylinder	8.6
Pump *	14.2
<b>Gross Weight *</b>	<b>113.2</b>

#### DIMENSIONS (in.)

Vertical Height Floor Drops	2.5
Arm Width	4.825
Retracted Arm Height	29.376
Retracted Arm Length	11
<b>Max. Extension of Room</b>	<b>32</b>

#### LOAD \*\* (lbs.)

PER ARM - 400
PER RAIL - 400

#### PRIMARY APPLICATIONS

Inside Couch Arms	Above Floor
Inside Dinette	Above Floor
Inside Night Stands	Above Floor
Inside any Suitable Fixture	Above Floor

\* If coach is equipped with an HWH Leveling System, pump is shared.

\*\* Load includes all occupants, cargo, and permanent fixtures resting on room.