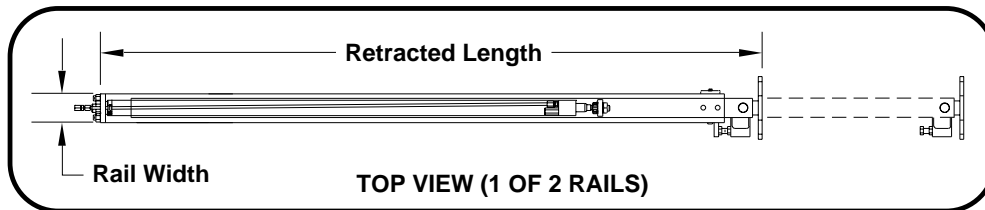
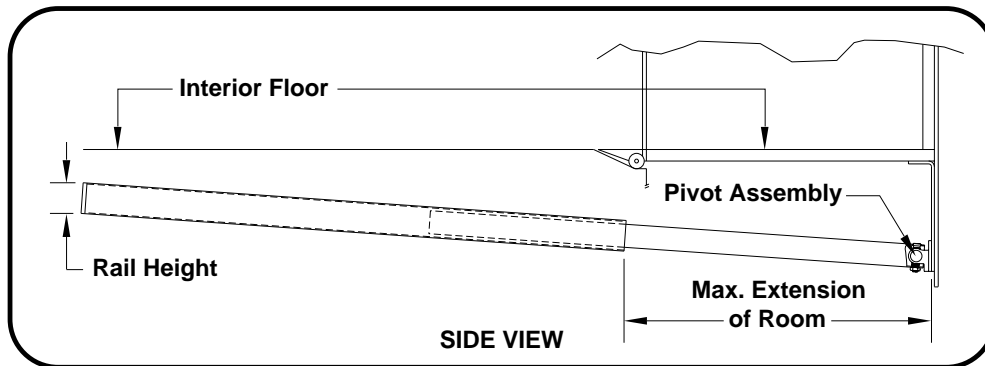
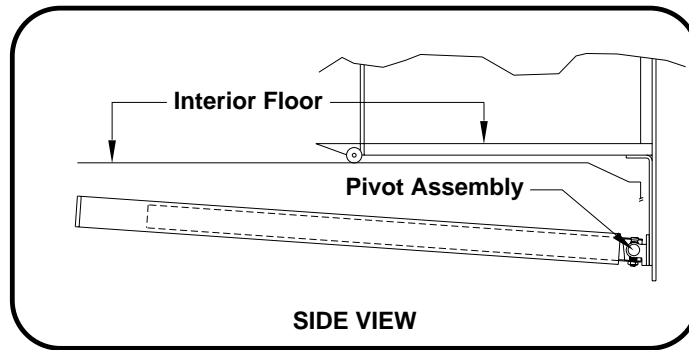


Specifications

The HWH® SpaceMaker® : "Pivotal Level Out Floor" Room Extension (With Pivot Brackets and Synchronizing Cylinder)



4" Rail Room Extension

WEIGHTS (lbs.)	
Mechanism Assembly	164.00
Pump *	14.20
Gross Weight *	178.20

DIMENSIONS (in.)	
Rail Width	3.00
Rail Height	4.00
Retracted Length	69.65
Max. Extension of Room	38.00

LOAD per RAIL ** (lbs.)	
@ 22" Extension	1,000.00
@ 38" Extension	500.00

FORCE per CYLINDER (lbs.)	
Max. Extending	2,100.00
Max. Retracting	2,100.00

PRIMARY APPLICATIONS	
Any Suitable Room	Below Floor

6" Rail Room Extension

WEIGHTS (lbs.)	
Mechanism Assembly	212.00
Pump *	14.20
Gross Weight *	226.20

DIMENSIONS (in.)	
Rail Width	3.00
Rail Height	6.00
Retracted Length	69.65
Max. Extension of Room	38.00

LOAD per RAIL ** (lbs.)	
@ 38" Extension	1,000.00

FORCE per CYLINDER (lbs.)	
Max. Extending	2,100.00
Max. Retracting	2,100.00

PRIMARY APPLICATIONS	
Any Suitable Room	Below Floor

* If coach is equipped with an HWH Leveling System, pump is included.

** Load includes all occupants, cargo, and permanent fixtures resting on room.