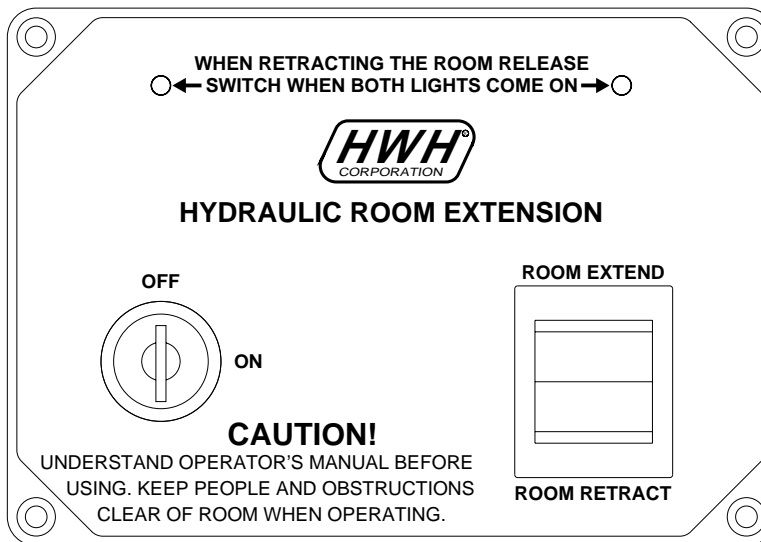




AUTOMATIC TRAVEL CLAMP SCHEMATICS WITH HWH ROOM EXTENSIONS



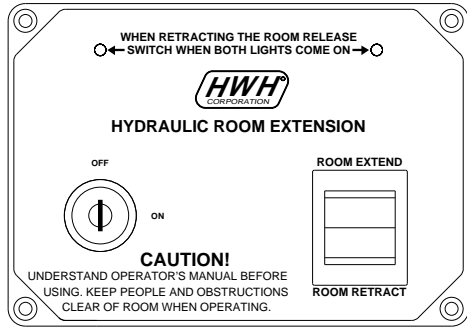
CONTROL BOX AP40484

HWH CORPORATION
(On I-80, Exit 267 South)
2096 Moscow Road | Moscow, Iowa 52760
Ph: 800/321-3494 (or) 563/724-3396 | Fax: 563/724-3408
www.hwh.com

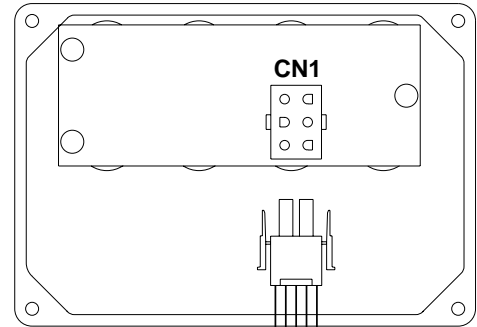
ELECTRICAL CONNECTION DIAGRAM

ROOM CLAMP CONNECTIONS

ROOM CONTROL PANEL ROOMS WITH TRAVEL CLAMPS

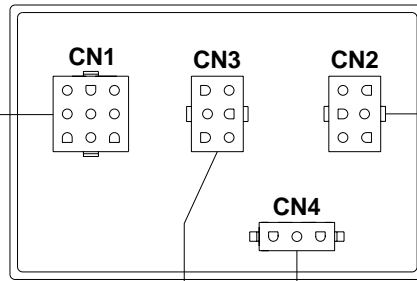


(REVERSE) ROOM CONTROL PANEL



TO CN1 - CN2 OR
CN3 ON MAIN
CONTROL BOX

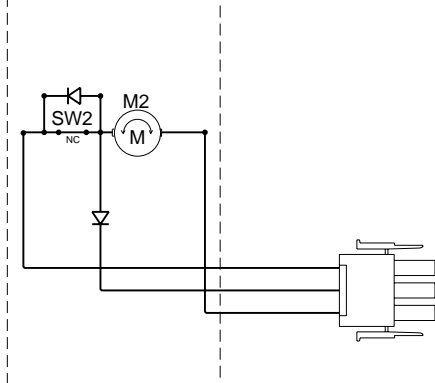
CLAMP CONTROL BOX



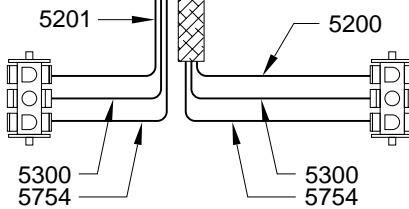
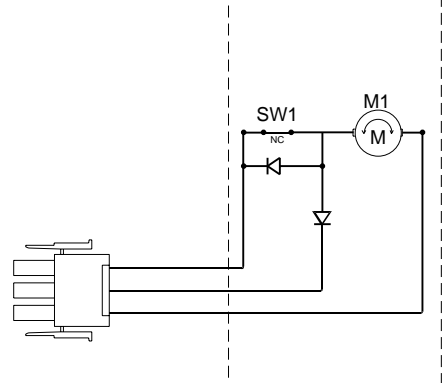
TO ROOM IN SWITCH.
NORMALLY OPEN
MAGNETIC SWITCH.
CONTACTS CLOSED
WHEN ROOM IS
RETRACTED

**NOTE: SW1 AND SW2 CLAMP LIMIT
SWITCHES ARE OPEN WHEN THE
CLAMP IS FULLY RETRACTED.**

LEFT ROOM CLAMP



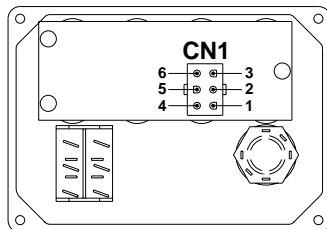
RIGHT ROOM CLAMP



ELECTRICAL CONNECTION DIAGRAM

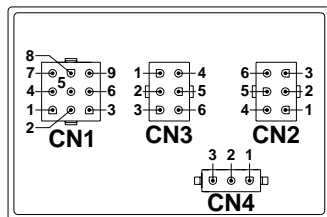
ROOM CONTROL PANEL - TRAVEL CLAMP CONTROL BOX - PIN OUTS

ROOM CONTROL PANEL

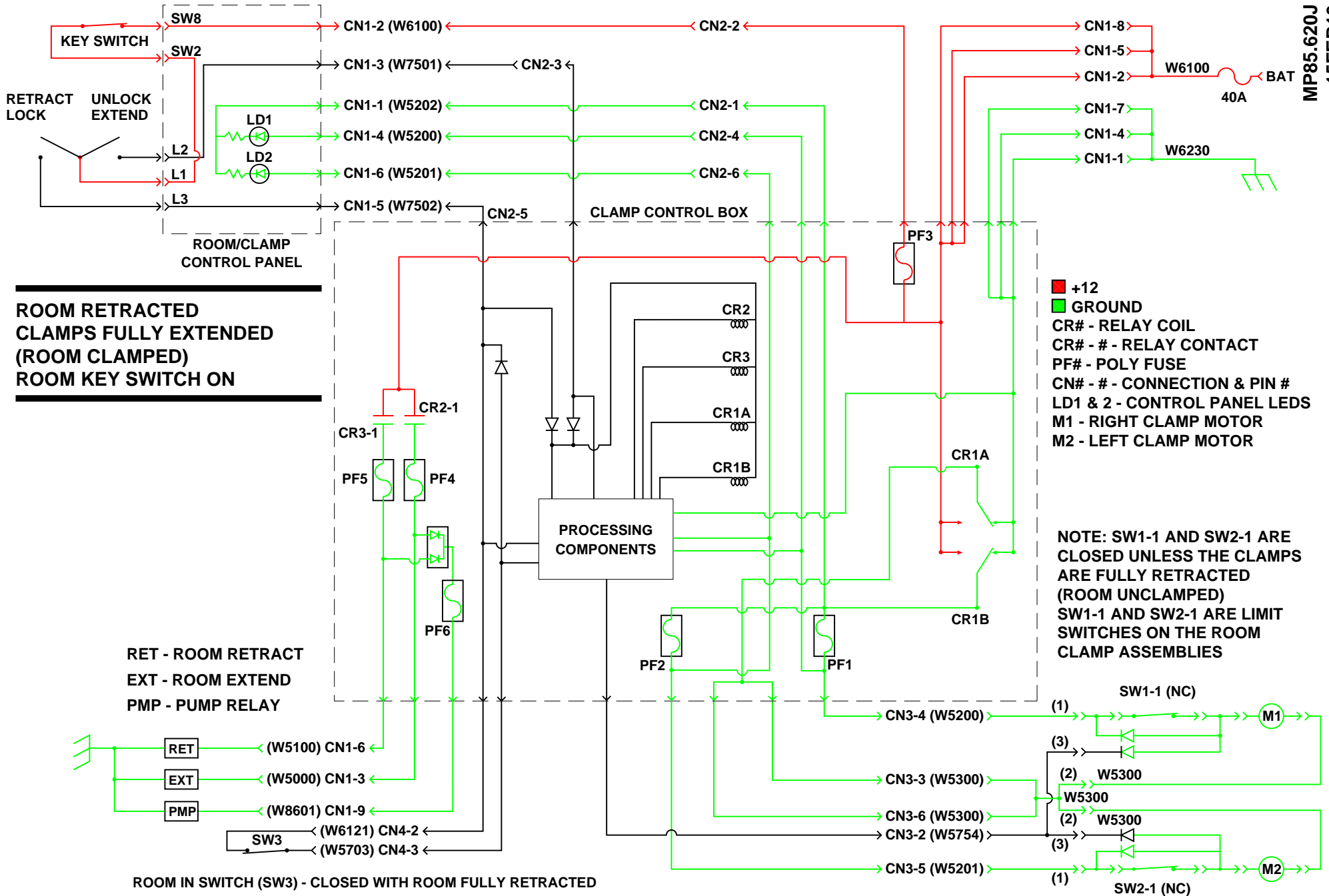


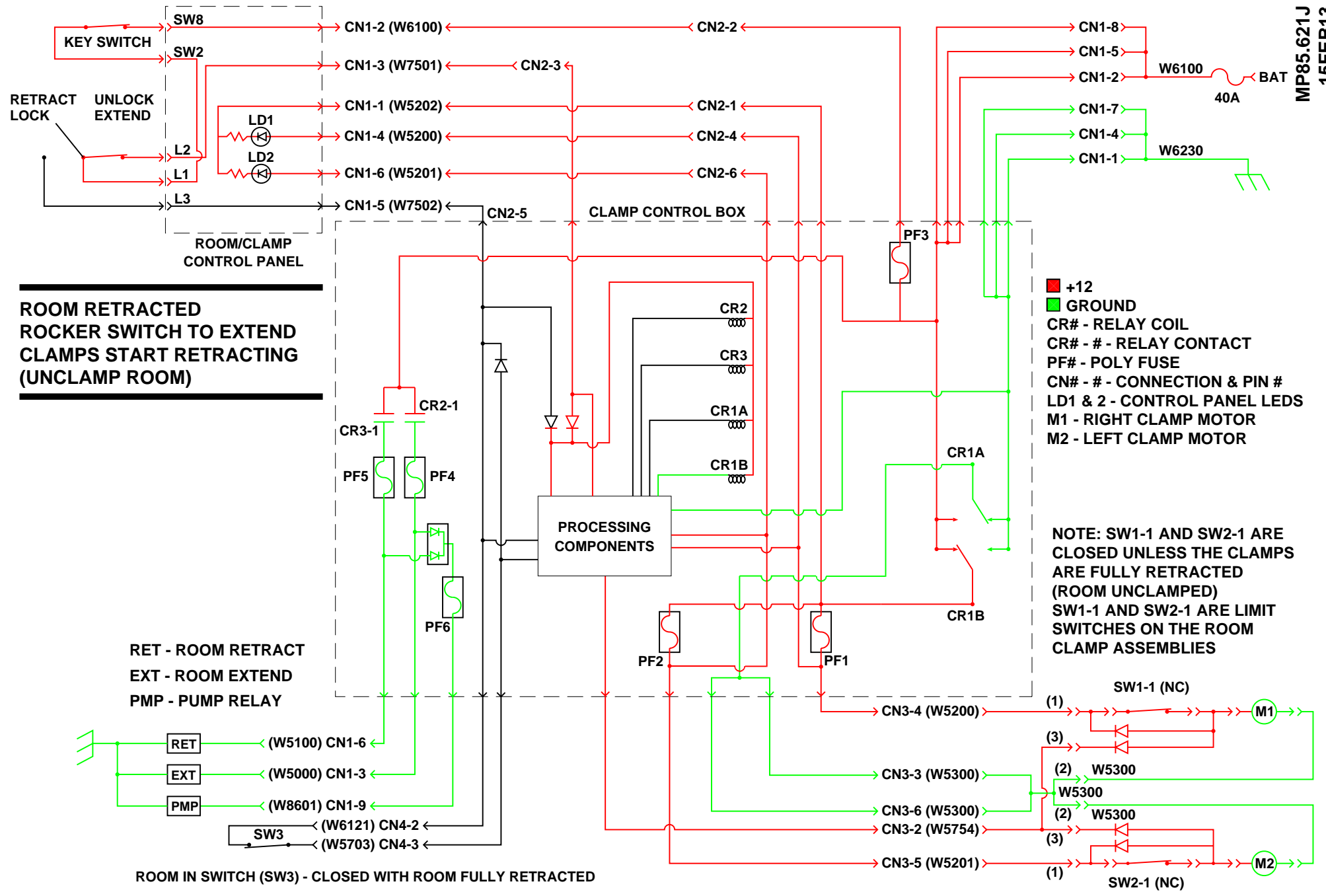
PIN #	WIRE COLOR	WIRE NUMBER	WIRE DESCRIPTION AND FUNCTION
CN1			6 PIN UML CONNECTOR
1	BLACK	5202	GROUND FOR ROOM PANEL INDICATOR LIGHTS RETRACT ONLY
2	RED	6100	+12 BATTERY TO ROOM CONTROL PANEL
3	BLACK	7501	SWITCHED +12 TO ROOM CLAMP CONTROL BOX ROOM EXTEND
4	BLACK	5200	+12 FOR RIGHT ROOM CLAMP INDICATOR LIGHT CLAMP EXTENDED
5	BLACK	7502	SWITCHED +12 TO ROOM CLAMP CONTROL BOX ROOM RETRACT
6	BLACK	5201	+12 FOR LEFT ROOM CLAMP INDICATOR LIGHT CLAMP EXTENDED

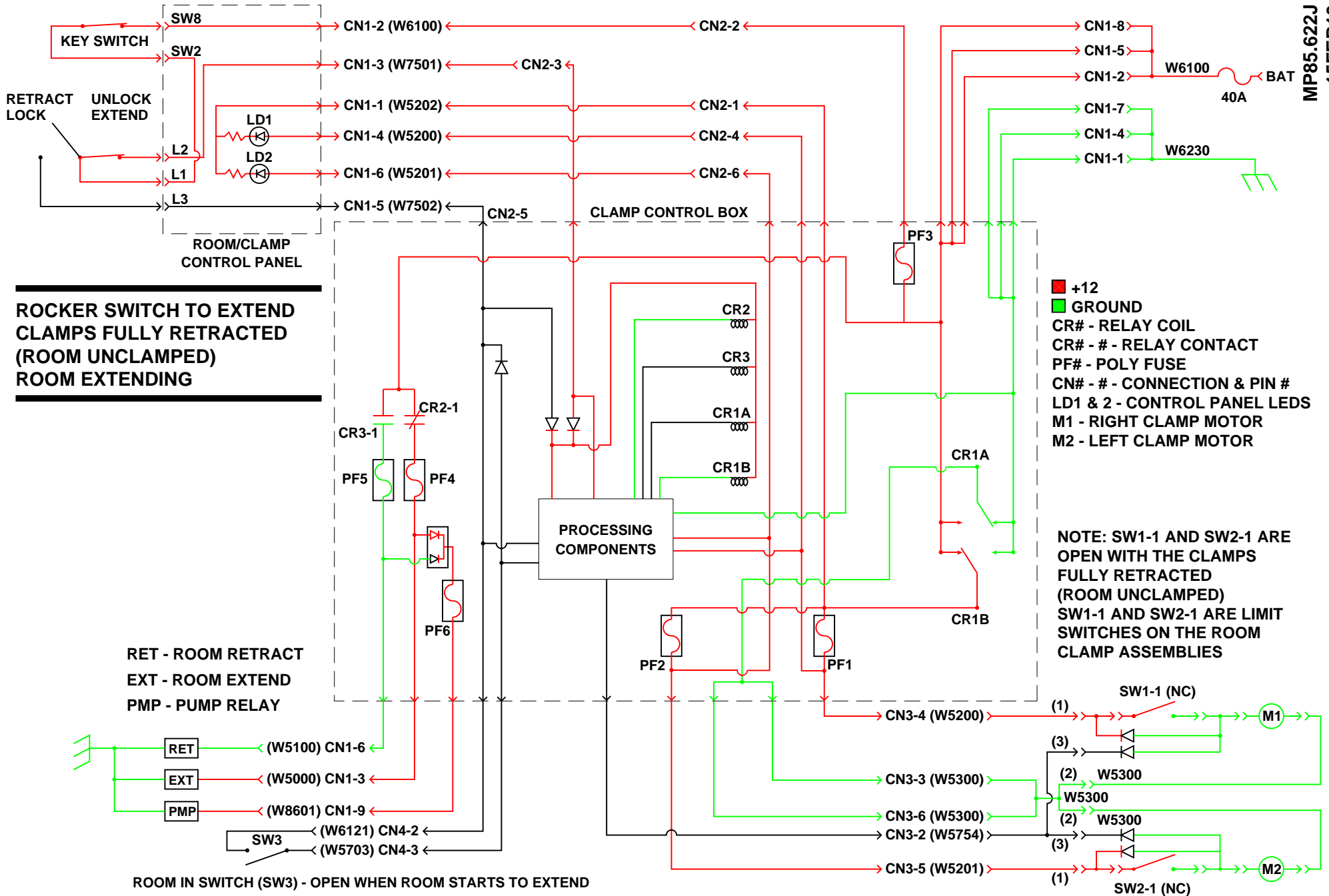
TRAVEL CLAMP CONTROL BOX

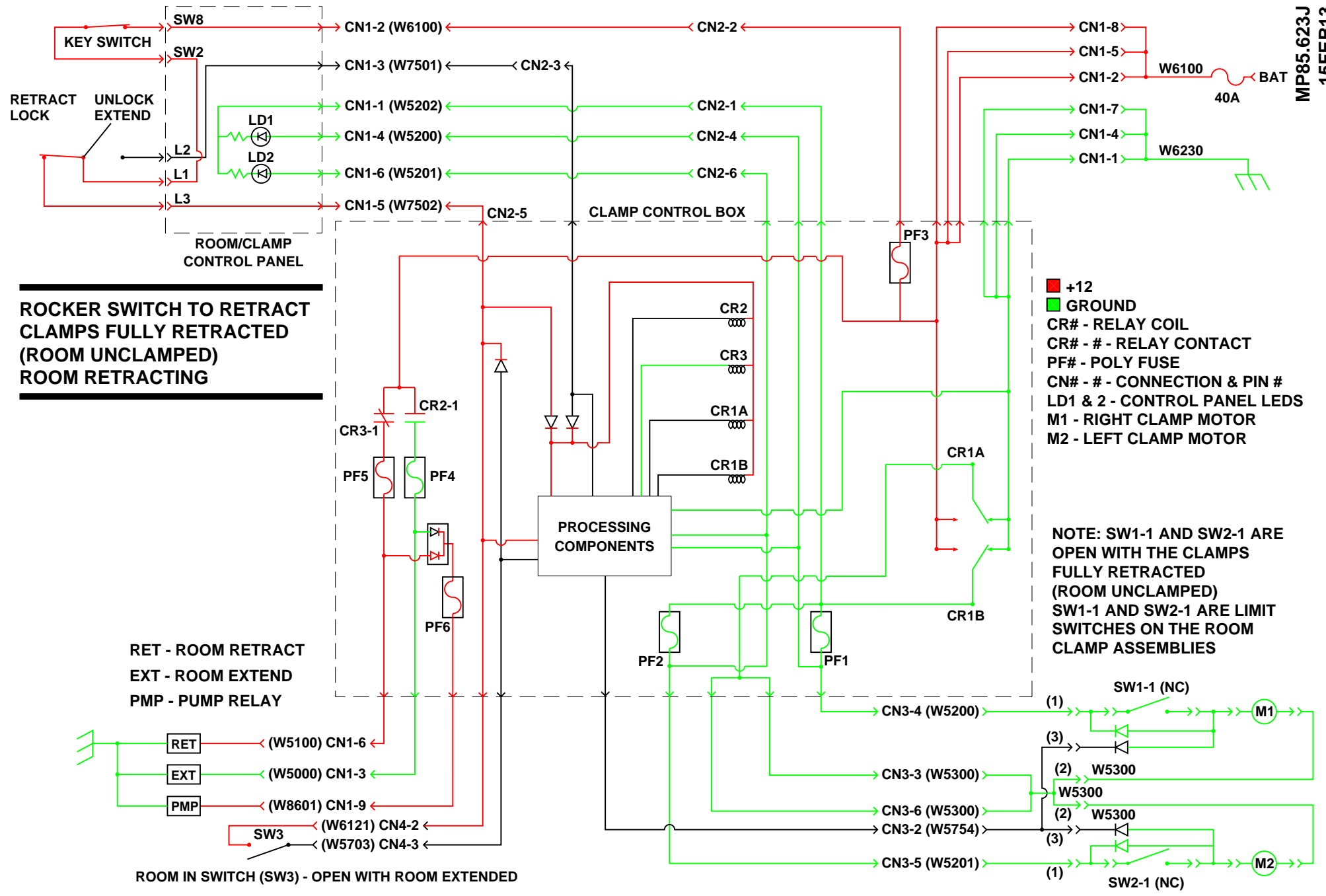


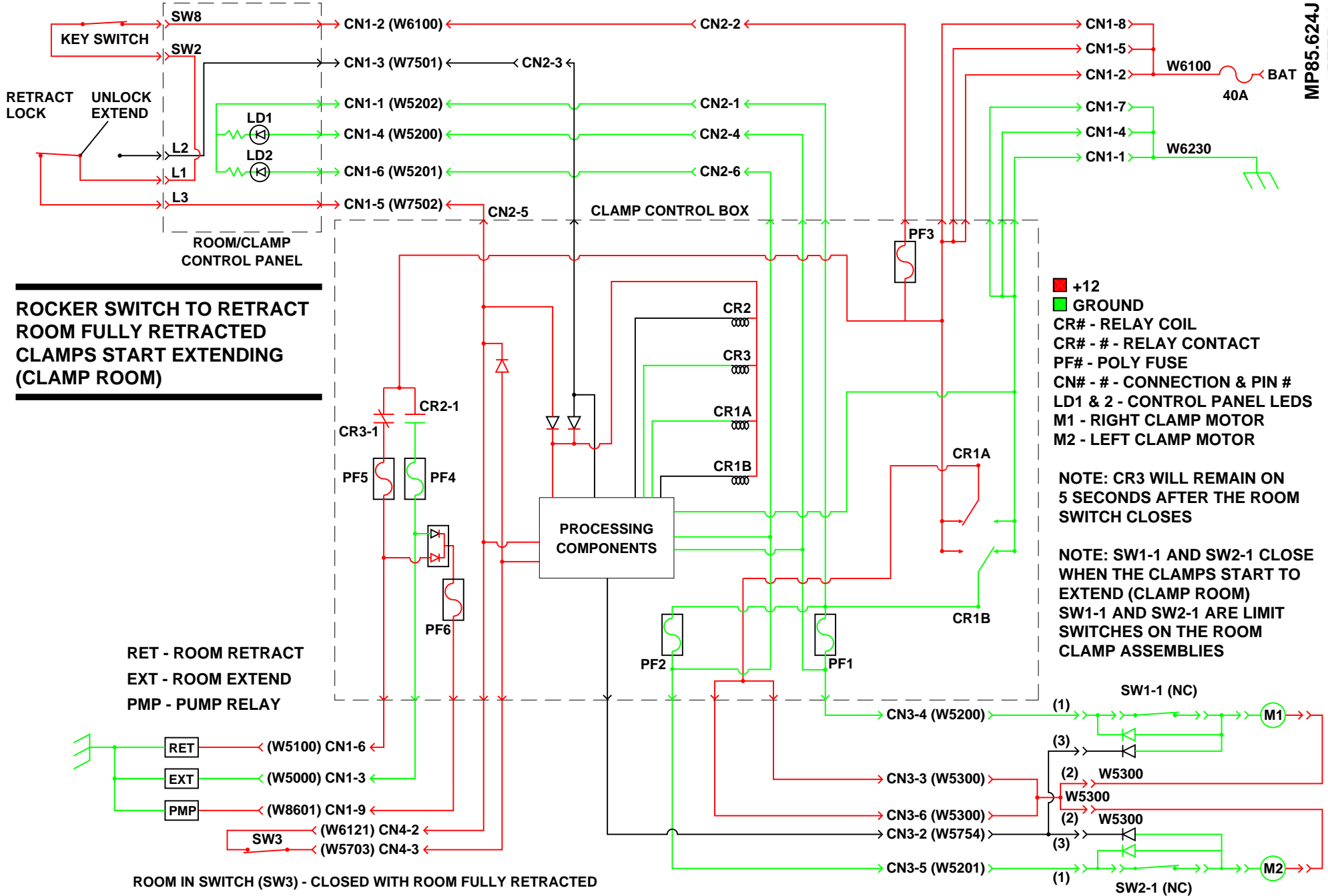
PIN #	WIRE COLOR	WIRE NUMBER	WIRE DESCRIPTION AND FUNCTION
CN1			9 PIN UML CONNECTOR
1	WHITE	6230	GROUND TO ROOM CLAMP CONTROL BOX
2	RED	6100	+12 BATTERY TO ROOM CLAMP CONTROL BOX
3	BLACK	5000	SWITCHED +12 TO MAIN CONTROL BOX ROOM EXTEND
4	WHITE	6230	GROUND TO ROOM CLAMP CONTROL BOX
5	RED	6100	+12 BATTERY TO ROOM CLAMP CONTROL BOX
6	BLACK	5100	SWITCHED +12 TO MAIN CONTROL BOX ROOM RETRACT
7	WHITE	6230	GROUND TO ROOM CLAMP CONTROL BOX
8	RED	6100	+12 BATTERY TO ROOM CLAMP CONTROL BOX
9	BLACK	8601	SWITCHED +12 TO MAIN CONTROL BOX PUMP CONTROL
CN2			6 PIN UML CONNECTOR
1	BLACK	5202	GROUND FOR ROOM PANEL INDICATOR LIGHTS RETRACT ONLY
2	RED	6100	+12 BATTERY TO ROOM CONTROL PANEL
3	BLACK	7501	SWITCHED +12 TO ROOM CLAMP CONTROL BOX ROOM EXTEND
4	BLACK	5200	+12 FOR RIGHT ROOM CLAMP INDICATOR LIGHT CLAMP EXTENDED
5	BLACK	7502	SWITCHED +12 TO ROOM CLAMP CONTROL BOX ROOM RETRACT
6	BLACK	5201	+12 FOR LEFT ROOM CLAMP INDICATOR LIGHT CLAMP EXTENDED
CN3			6 PIN UML CONNECTOR
1			NO CONNECTION
2	BLACK	5754	CLAMP LIMIT SWITCHES - (+12) WITH CLAMP EXTENDED
3	BLACK	5300	CLAMP EXTEND (+12) - CLAMP RETRACT (GROUND)
4	BLACK	5200	RIGHT CLAMP RETRACT (+12) - RIGHT CLAMP EXTEND (GROUND)
5	BLACK	5201	LEFT CLAMP RETRACT (+12) - LEFT CLAMP EXTEND (GROUND)
6	BLACK	5300	CLAMP EXTEND (+12) - CLAMP RETRACT (GROUND)
CN4			3 PIN UML CONNECTOR
1			NO CONNECTION
2	BLACK	6121	SWITCHED +12 BATTERY TO ROOM IN SWITCH (RETRACT ONLY)
3	BLACK	5703	SWITCHED +12 WITH ROOM IN



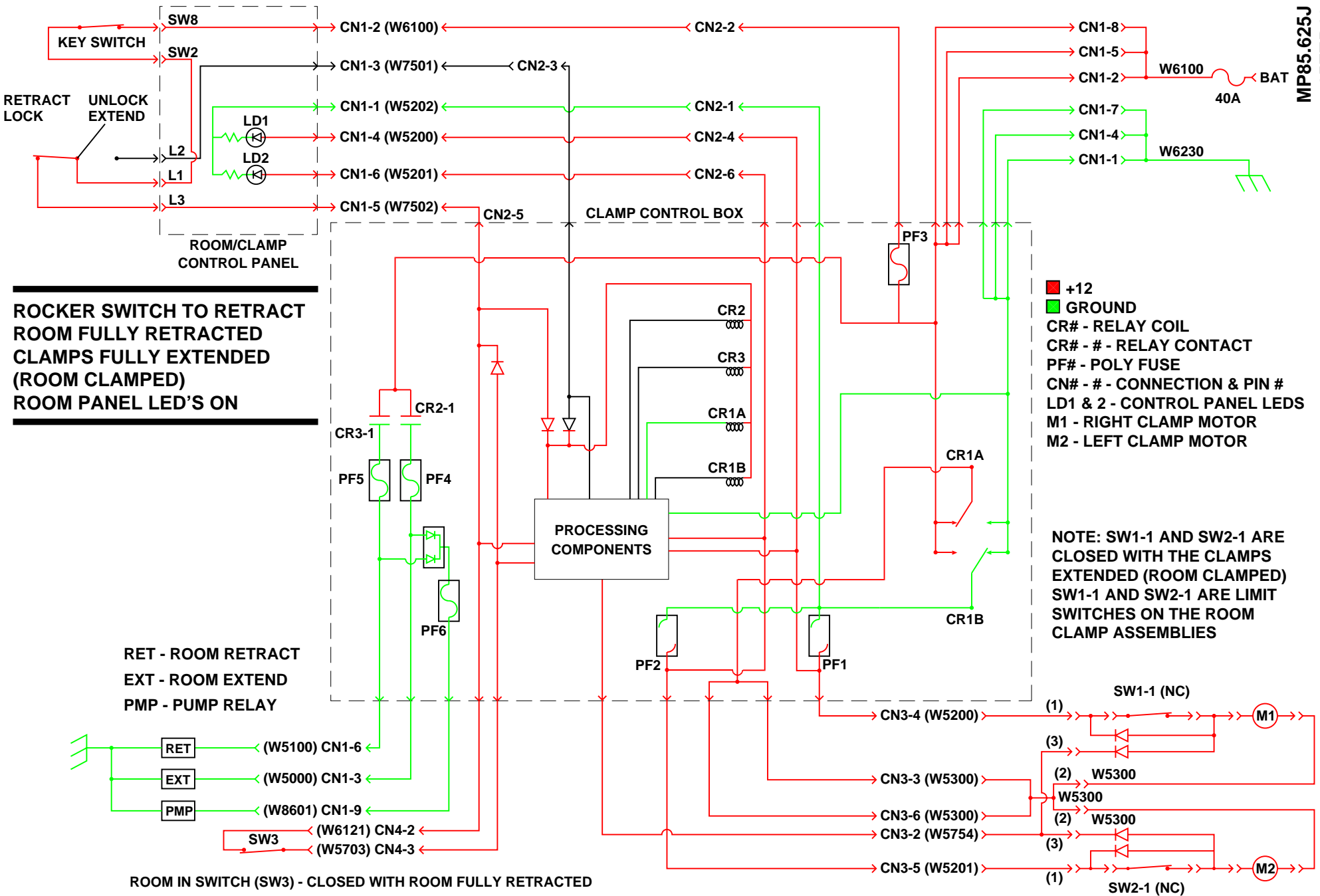








ROCKER SWITCH TO RETRACT ROOM FULLY RETRACTED CLAMPS START EXTENDING (CLAMP ROOM)



ROCKER SWITCH TO RETRACT ROOM FULLY RETRACTED CLAMPS FULLY EXTENDED (ROOM CLAMPED) ROOM PANEL LED'S ON

RET - ROOM RETRACT
EXT - ROOM EXTEND
PMP - PUMP RELAY

ROOM IN SWITCH (SW3) - CLOSED WITH ROOM FULLY RETRACTED

- +12
- GROUND
- CR# - RELAY COIL
- CR# - # - RELAY CONTACT
- PF# - POLY FUSE
- CN# - # - CONNECTION & PIN #
- LD1 & 2 - CONTROL PANEL LED'S
- M1 - RIGHT CLAMP MOTOR
- M2 - LEFT CLAMP MOTOR

NOTE: SW1-1 AND SW2-1 ARE CLOSED WITH THE CLAMPS EXTENDED (ROOM CLAMPED)
SW1-1 AND SW2-1 ARE LIMIT SWITCHES ON THE ROOM CLAMP ASSEMBLIES