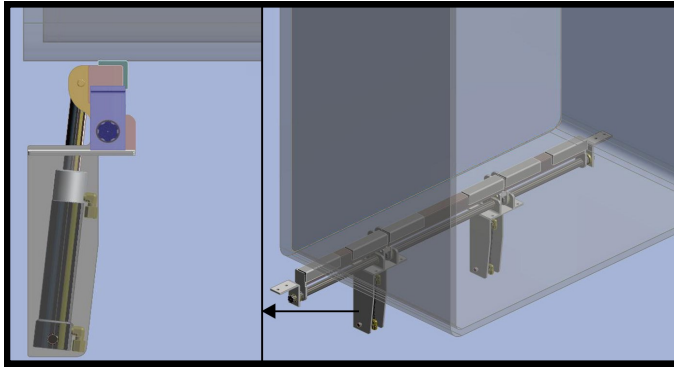


HWH[®] SpaceMaker[®]

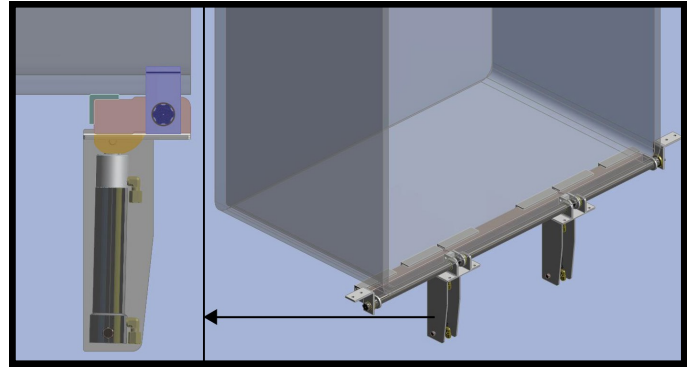
"Universal" Platform Level-Out

Hydraulic Room Extension (Vertical Cylinders)

True Flush Floors!



Room Retracted



Room Extended

Includes the following features...

- HWH[®] Slide-Out Mechanisms provide true flush floors.
- Room floor is suspended above coach floor which eliminates the possibility of scratching or damaging the coach floor coverings.
- Cylinders are positioned vertically. (If vertical cylinders interfere, see brochure ML52624 for horizontal cylinders.)
- Utilizes HWH[®] "Universal" Room Mechanism known for its strength and reliability.
- Heavy-duty room extension system for rooms up to 4,000 pounds.
- Four-point attachment of the HWH[®] Universal Room Extension draws all four corners in for a positive seal when room is extended or retracted.



2096 Moscow Road, Moscow, IA 52760 | Ph: 800-321-3494 | Fax: 563-724-3408 | www.HWH.com

STRONG, RELIABLE, HYDRAULIC POWER

ML43902.PUB - 03OCT13