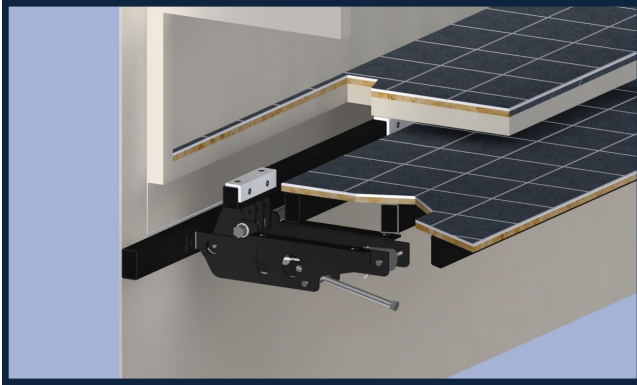


# HWH<sup>®</sup> SpaceMaker<sup>®</sup>

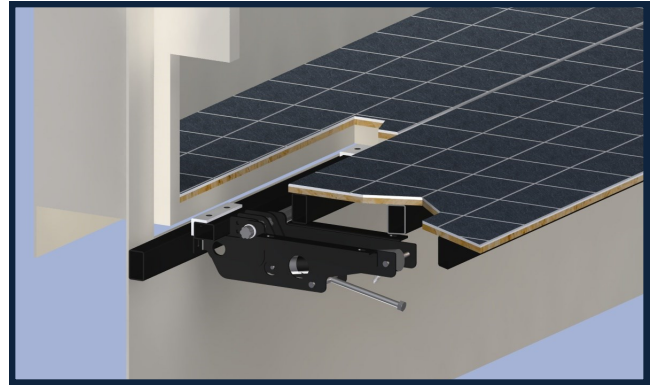
## "Universal" Platform Level-Out

### Hydraulic Room Extension (Horizontal Cylinders)

### True Flush Floors!



Room Retracted



Room Extended

### Includes the following features...

- HWH<sup>®</sup> Slide-Out Mechanisms provide true flush floors.
- Room floor is suspended above coach floor which eliminates the possibility of scratching or damaging the coach floor coverings.
- Cylinders are positioned horizontally to take up less space. (If horizontal cylinders interfere, see brochure ML43902 for vertical cylinders.)
- Utilizes HWH<sup>®</sup> "Universal" Room Mechanism known for its strength and reliability.
- Heavy-duty room extension system for rooms up to 4,000 pounds.
- Four-point attachment of the HWH<sup>®</sup> Universal Room Extension draws all four corners in for a positive seal when room is extended or retracted.



2096 Moscow Road, Moscow, IA 52760 | Ph: 800-321-3494 | Fax: 563-724-3408 | [www.HWH.com](http://www.HWH.com)

# STRONG, RELIABLE, HYDRAULIC POWER

ML52624.PUB - 03OCT13