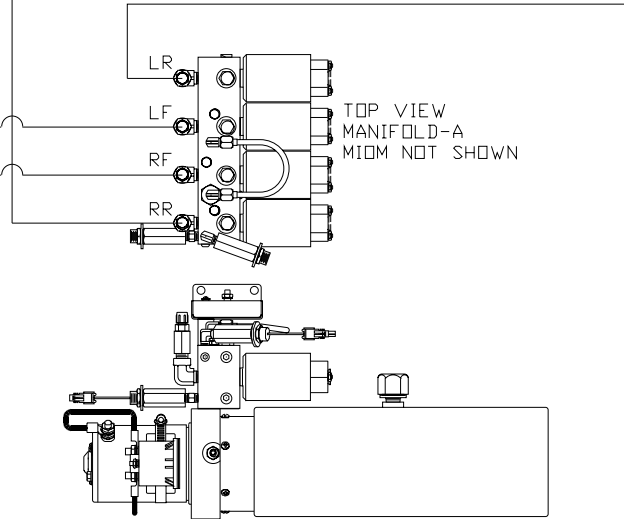
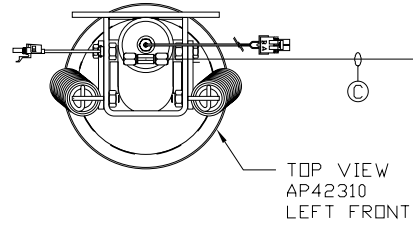
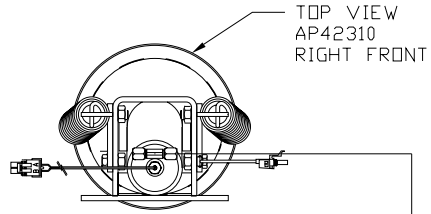
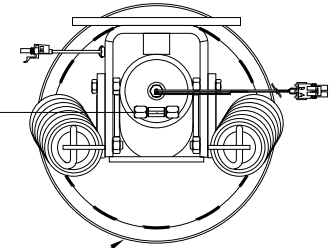
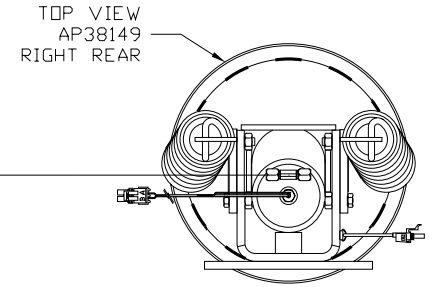


ORIENTATION  
← FRONT



SIDE VIEW PUMP/MANIFOLD-AP48041

LOCATION AND ORIENTATION OF  
PUMP/MANIFOLD ASSEMBLY WILL  
DIFFER DEPENDING UPON O.E.M.



- (A) AP4391 HOSE ASSY .25" x 372"
- (B) AP29196 HOSE ASSY .25" x 270"
- (C) AP6216 HOSE ASSY .25" x 264"
- (D) AP4310 HOSE ASSY .25" x 204"

CROSS TIES REQUIRED FOR  
FRONT AND REAR JACKS

NOTE: INSTALLATION MUST CONFORM TO GOOD SHOP PRACTICES, SAE STANDARDS, RVIA STANDARDS, AND OTHER APPLICABLE STANDARDS. LEVELING SYSTEM: AP48604

NO.	DATE	REVISION

HWH I-80 EXIT 267 SOUTH  
RT 1 MOSCOW, IOWA 52760

SCALE 1:6 DATE 17JUN11 DRAWN BY .

HYD CONN DIAGRAM

WESTERN SHELTER DRAWING NUMBER  
MP70404

THE INFORMATION DISCLOSED ON THIS DRAWING IS CONFIDENTIAL AND MUST NOT BE DISCLOSED OR USED IN ANY MANNER WHICH WILL BE DETRIMENTAL TO THE HWH CORPORATION