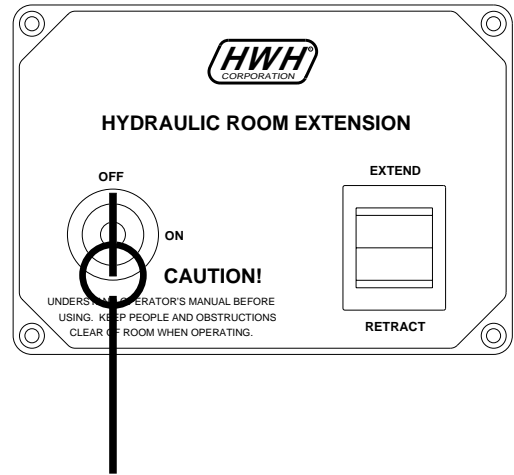
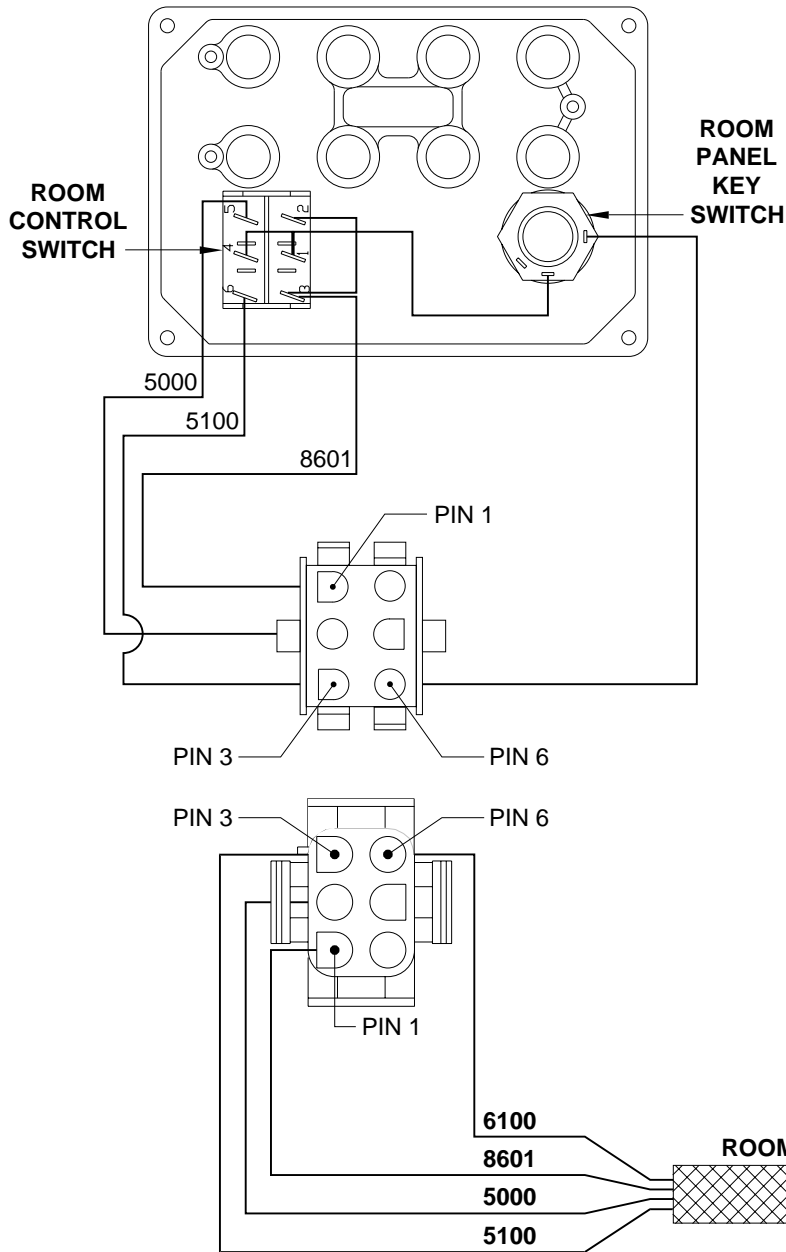


# ELECTRICAL CONNECTION DIAGRAM ROOM CONTROL PANEL



**NOTE: WIRE NUMBERS FOR THE ROOM CONTROL PANEL PLUG ARE THE SAME FOR ALL THREE ROOM PANELS. THE WIRE NUMBERS IN THE INDIVIDUAL HARNESES TO EACH ROOM CONTROL PANEL ARE DIFFERENT.**

	ROOM 1	ROOM 2	ROOM 3
PIN1	8601	8602	8603
PIN2	5000	5001	5002
PIN3	5100	5101	5102
PIN6	6100	6100	6100

**SEE ELECTRICAL CONNECTION DIAGRAM ROOM EXTENSION MANIFOLD CONNECTIONS**

- 6100 - +12V FROM THE PUMP RELAY TO THE ROOM PANEL KEY SWITCH
- 8601 - 2 - 3 - +12V FROM THE ROOM CONTROL SWITCH TO THE SAFETY RELAYS FOR PUMP CONTROL
- 5000 - 1 - 2 - +12V FROM THE ROOM CONTROL SWITCH TO THE ROOM EXTEND SOLENOID VALVE
- 5100 - 1 - 2 - +12V FROM THE ROOM CONTROL SWITCH TO THE ROOM RETRACT SOLENOID VALVE