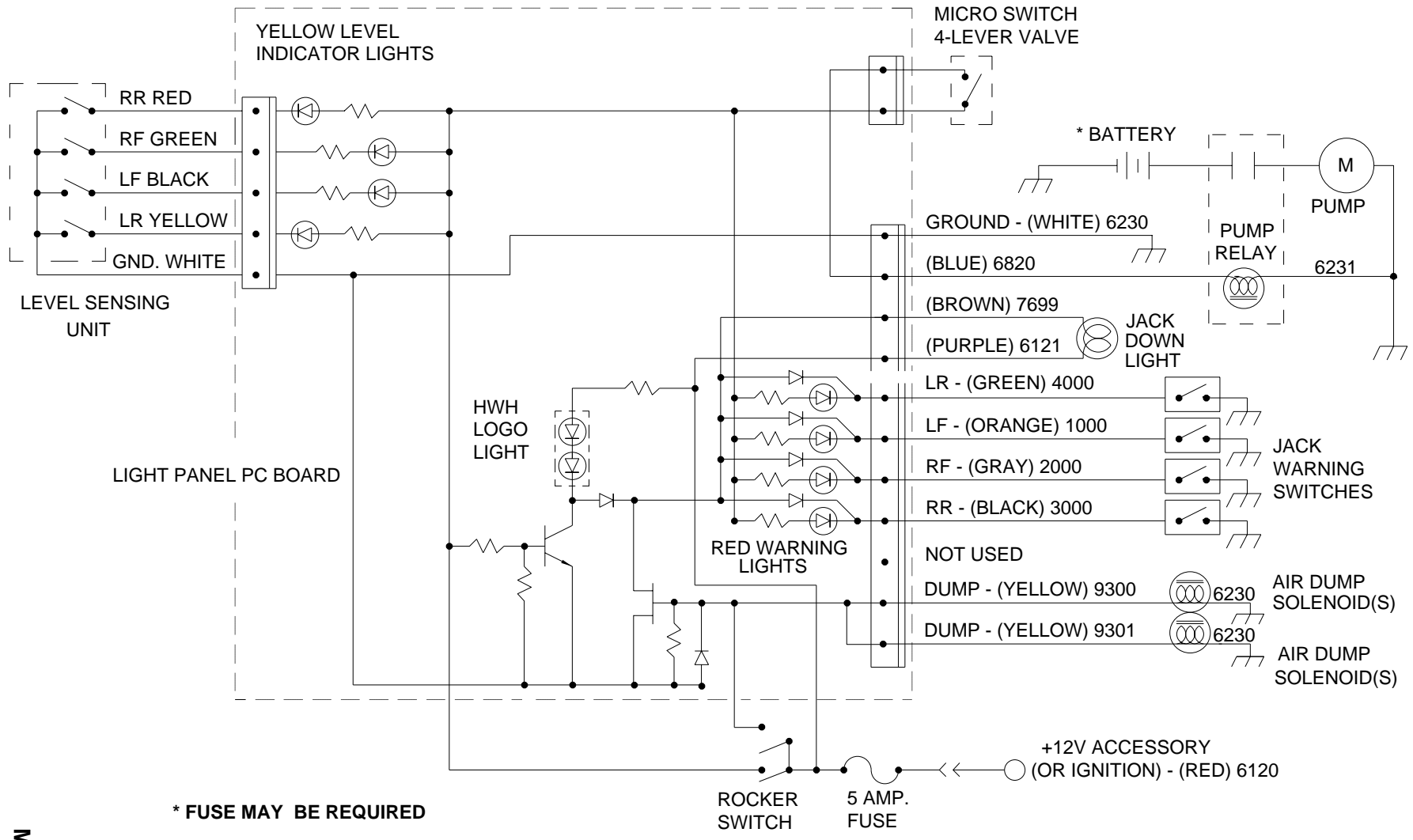


**ELECTRICAL SCHEMATIC**  
**LIGHT PANEL 100/110 SERIES LEVELING SYSTEM**  
**LIGHT PANEL (INTEGRATED OR REMOTE 4-LEVER SYSTEM**  
**KICK-DOWN JACKS WITH AIR DUMP FEATURE**



**\* FUSE MAY BE REQUIRED**  
**CHECK APPLICABLE CODE.**

MP85.9910  
 10FEB99