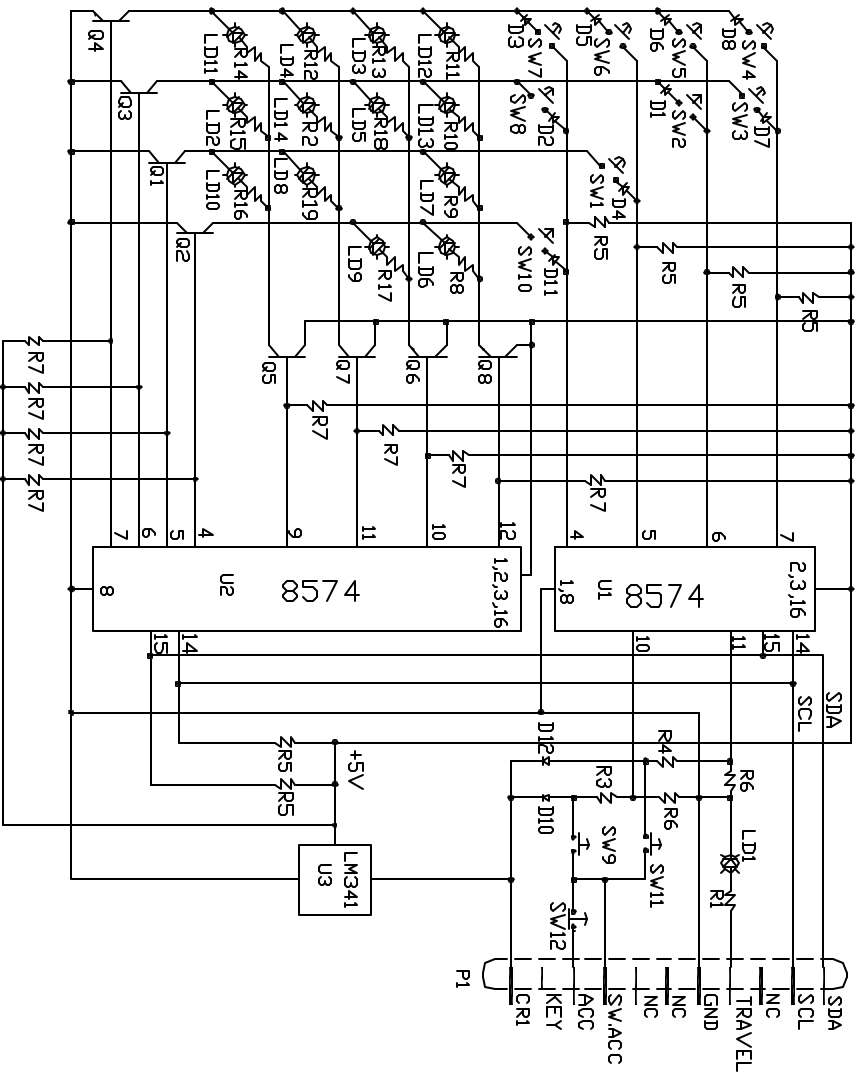
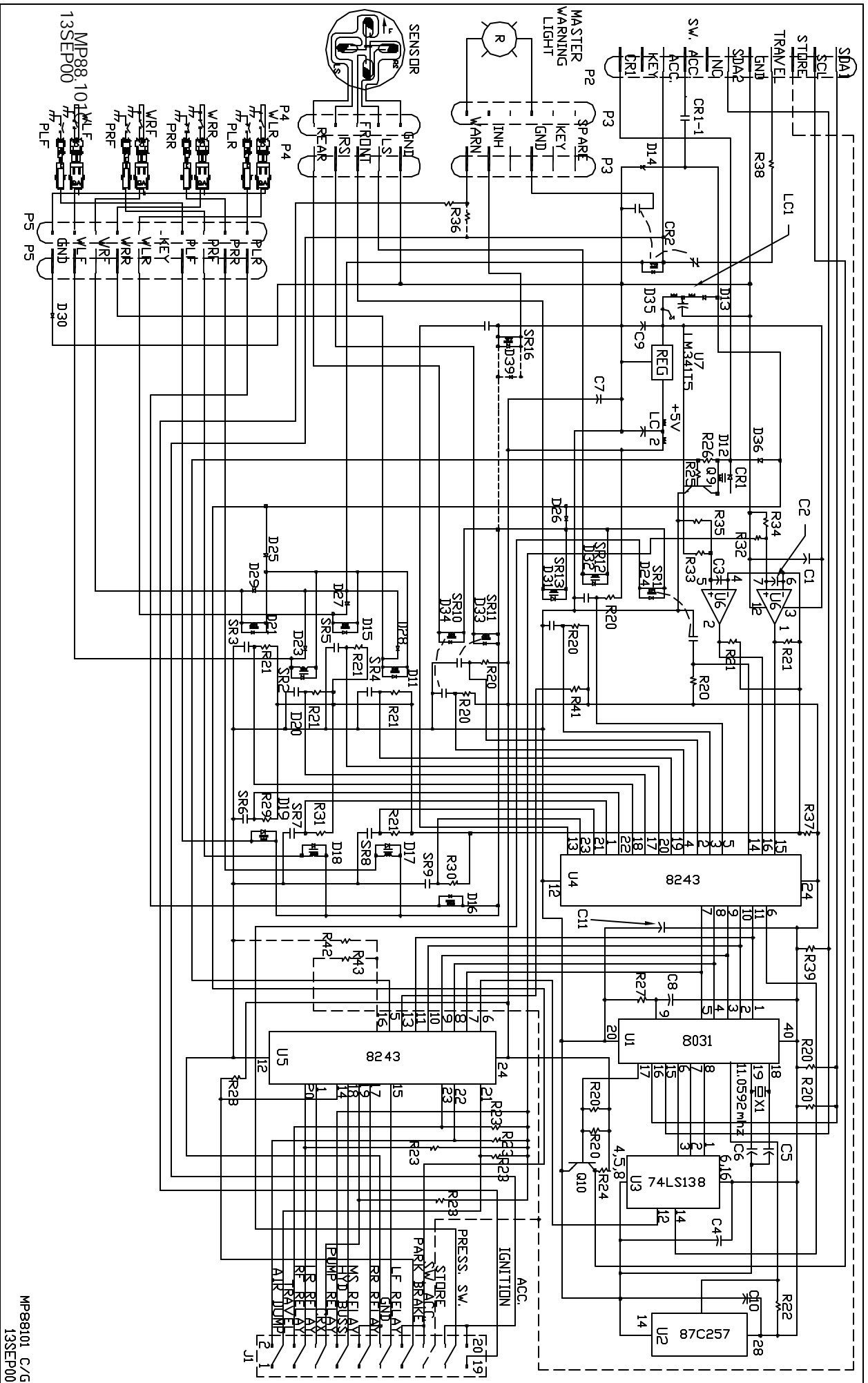


HWH			1-80 EXIT 267 SOUTH		
RT 1 MOSCOW, IOWA 52760			DRAWING NUMBER		
SCALE 1:2 DATE 06FEB95 DRAWN BY			MP88101 A/G		
SHEMATIC 610			DRAWING NUMBER		
NO.	DATE	REVISION	THE INFORMATION DISCLOSED IN THIS DRAWING IS CONFIDENTIAL AND MUST NOT BE DISCLOSED OR USED IN ANY MANNER WHICH WILL BE DETRIMENTAL TO THE HWI CORPORATION		

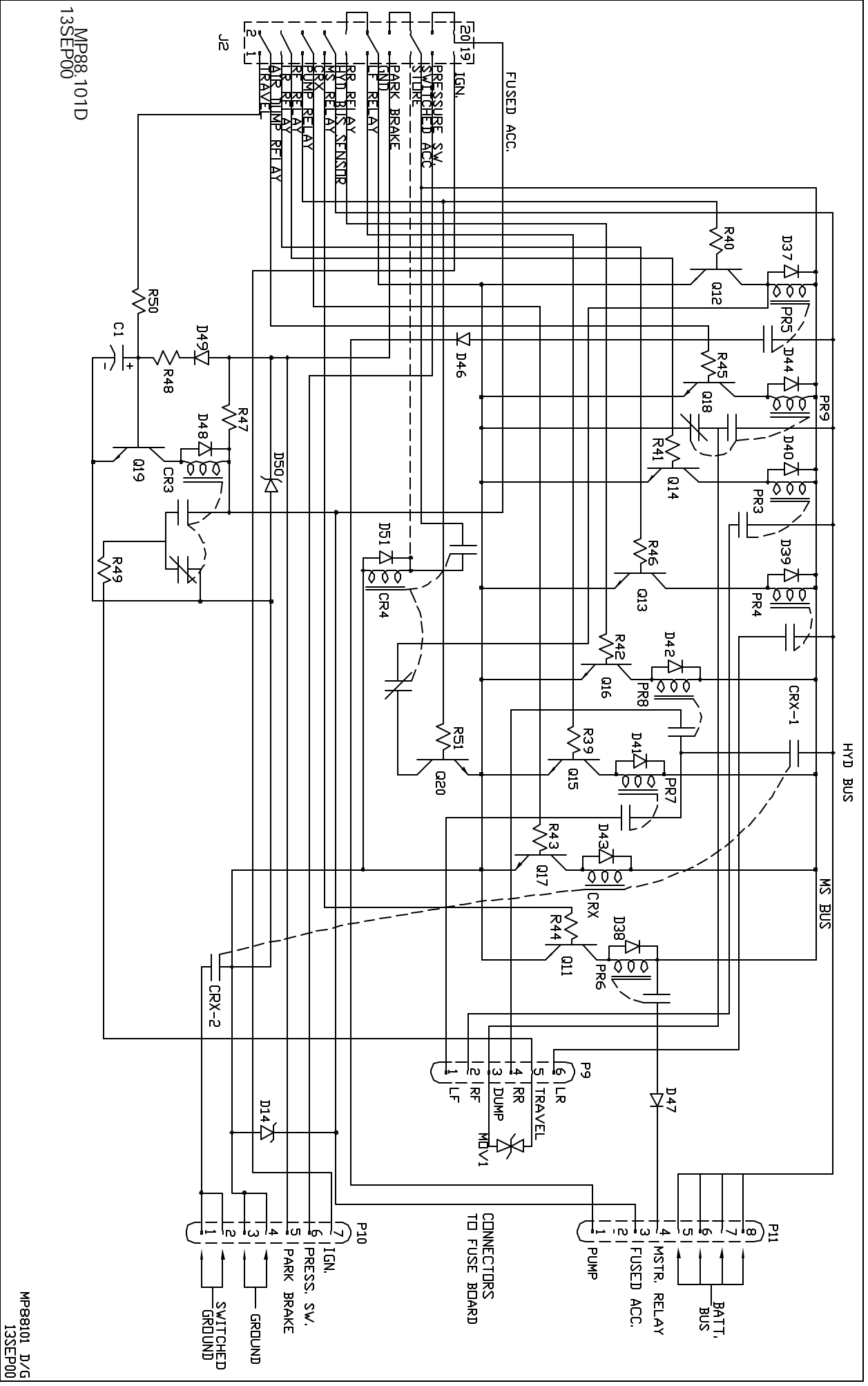
SW1	LSL
SW2	LSR
SW3	FL
SW4	FR
SW5	RSR
SW6	RSL
SW7	RR
SW8	RL
SW9	HYD
SW10	STORE
SW11	DUMP
SW12	OFF
LD1	TRAVEL
LD2	RE
LD3	RS
LD4	FR
LD5	LS
LD6	HYD
LD7	EXC
LD8	PARK
LD9	STORE
LD10	LRW
LD11	RRW
LD12	RFW
LD13	LFW
LD14	BATT



MP88, 101B
13SEP00

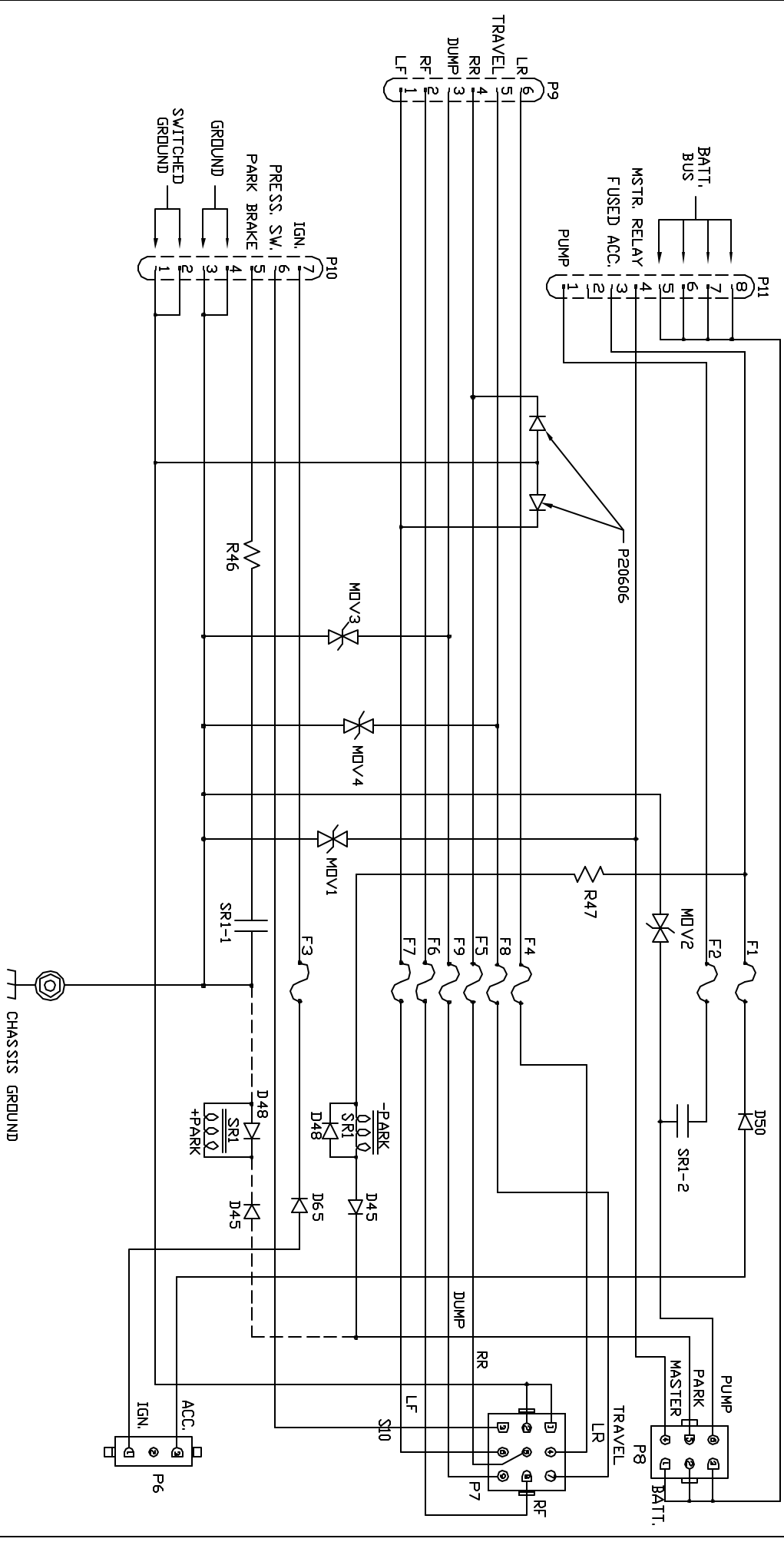


MP88101 C/G
13SEP00



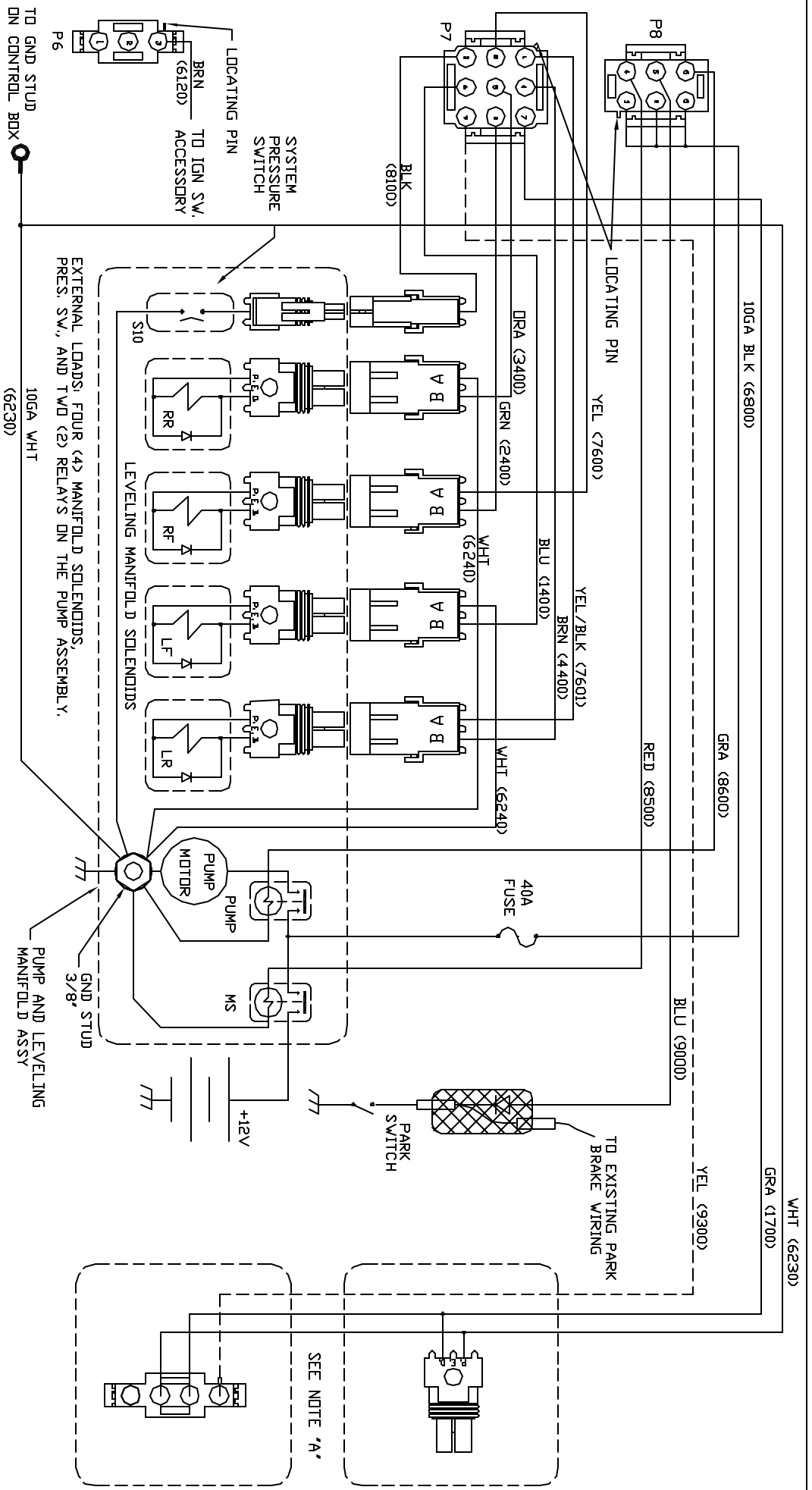
MP888, 101D
13SEP00

MP88101, D/G
13SEP00



MP88, 101E
13SEP00

MP88101, E/G
13SEP00

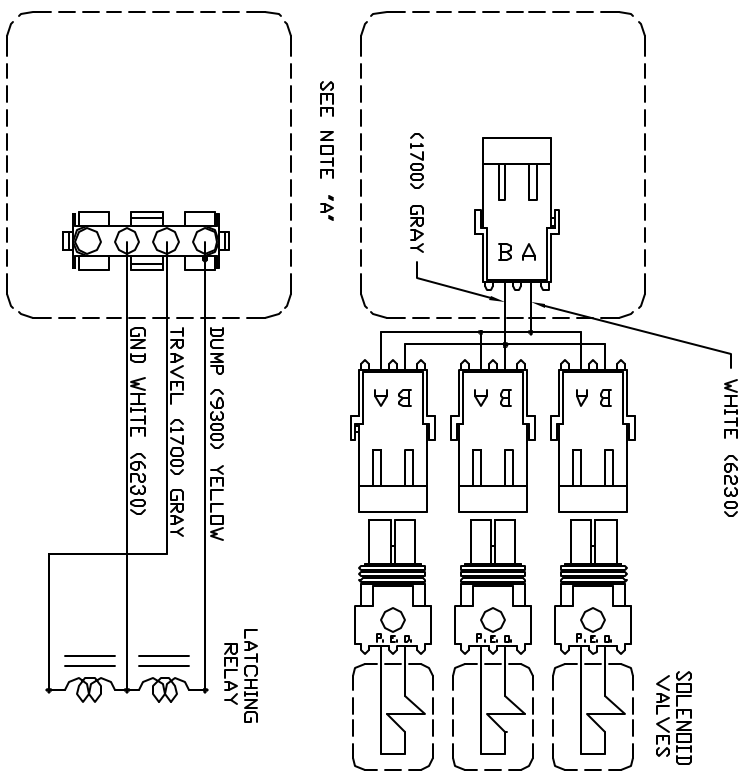


EXTERNAL LOADS: FOUR (4) MANIFOLD SOLENOIDS, PRES. SW., AND TWO (2) RELAYS ON THE PUMP ASSEMBLY.

MP88, 101F
13SEP00

MP88101 F/G
13SEP00

NOTE A: ONLY ONE OF THESE IS USED, DEPENDING ON WHETHER SYSTEM HAS PILOT DUMP.



SEE NOTE 'A'