

HWH CONTROL UNIT | ELECTRONIC

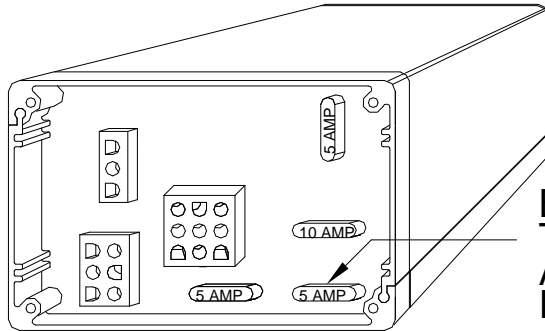
"CONTROL BOX"

AUTOMATIC GREASE SYSTEM

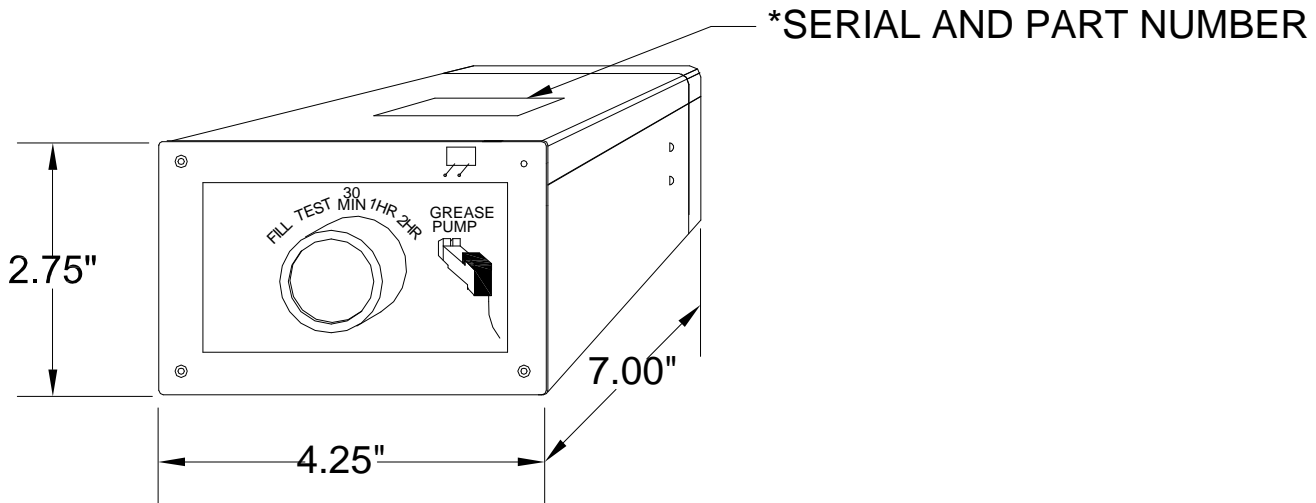
METAL/PLEXI GLASS BOX | 2.75" x 4.25" x 7.00"

(File: MR151000.DOC | Revised: 11JUN18)

[Print Friendly PDF File](#)



BLADE
TYPE
AUTOMOTIVE
FUSE



*EXISTING NUMBER	DESCRIPTION	REPLACEMENT NUMBER
AP9736	GREASE TIMER CONTROL BOX	RAP92028

*PART NUMBER IS ON TOP OF BOX. NUMBER BEGINS WITH "AP" FOLLOWED BY 4 NUMERALS.