

# HWH CONTROL UNIT | ELECTRONIC

**“CONTROL BOX”**

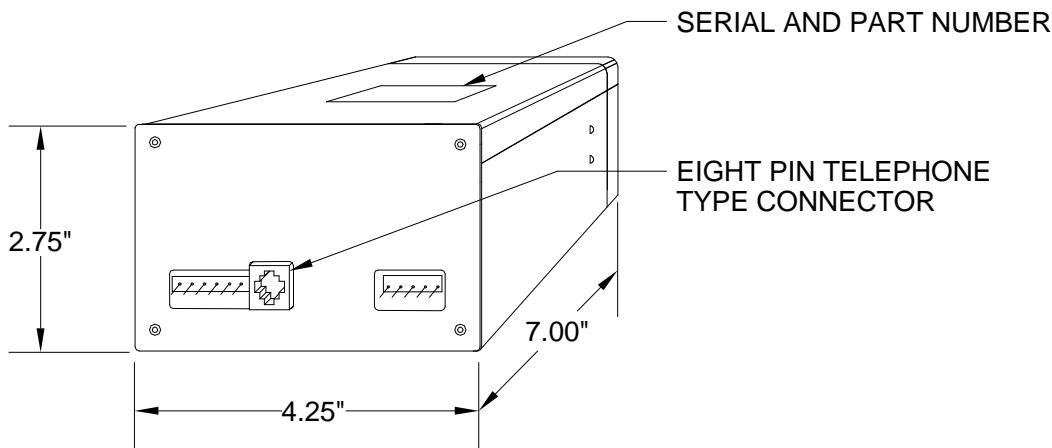
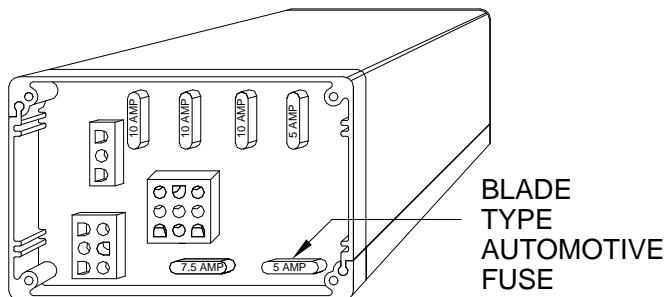
**510 SERIES**

COMPUTER / TOUCH PANEL-CONTROLLED LEVELING SYSTEMS (Air, Hyd & Air/Hyd)

METAL/PLEXI GLASS BOX | 2.75" x 4.25" x 7.00"

(File: MR154400.DOC | Revised: 29MAR19)

[Print Friendly PDF File](#)



**REPLACEMENTS:**

> NEW OR REMANUFACTURED UNITS ARE NO LONGER AVAILABLE.

> HWH MAY BE ABLE TO REPAIR YOUR EXISTING UNIT.

> CONTACT HWH TO GET AN RGA NUMBER TO RETURN THE EXISTING UNIT TO HWH FOR REPAIR.

**REPLACEMENT CONTROL BOXES**

*EXISTING NUMBER	HYDRAULIC LEVELING	JACK STYLE	AIR DUMP	AIR LEVELING	PARK SIGNAL	OPERATION FEATURES	**COMMON APPLIC.	REPLACE NUMBER (R & R ONLY)
AP7855 or AP8478	YES	2 or 4 KD	YES	NO	NEG.	2-3 JACKS	ELITE	RAP8478
AP7865 or AP8465	YES	2 or 4 KD	NO	NO	NEG.	2-1 JACKS	FLEETWOOD ELITE	RAP8465
AP8055	YES	4-ST	NO	NO	NEG.	2-1 JACKS	BLUEBIRD	RAP8055
AP8075	YES	4-ST	YES	NO	NEG.	2-3 JACKS	FORETRAVEL	RAP8075
AP8717	YES	2 or 4 KD	NO	NO	NEG.	2-1 JACKS 30 S. STAB		RAP8717
AP8812	YES	4-ST	NO	NO	NEG.		MART-MARI MID-WELD	RAP8812

\* PART NUMBER IS ON TOP OF BOX. NUMBER BEGINS WITH "AP" FOLLOWED BY 4 OR 5 NUMERALS.

\*\* SOME VEHICLES MAY HAVE DIFFERENT CONTROL BOXES.