

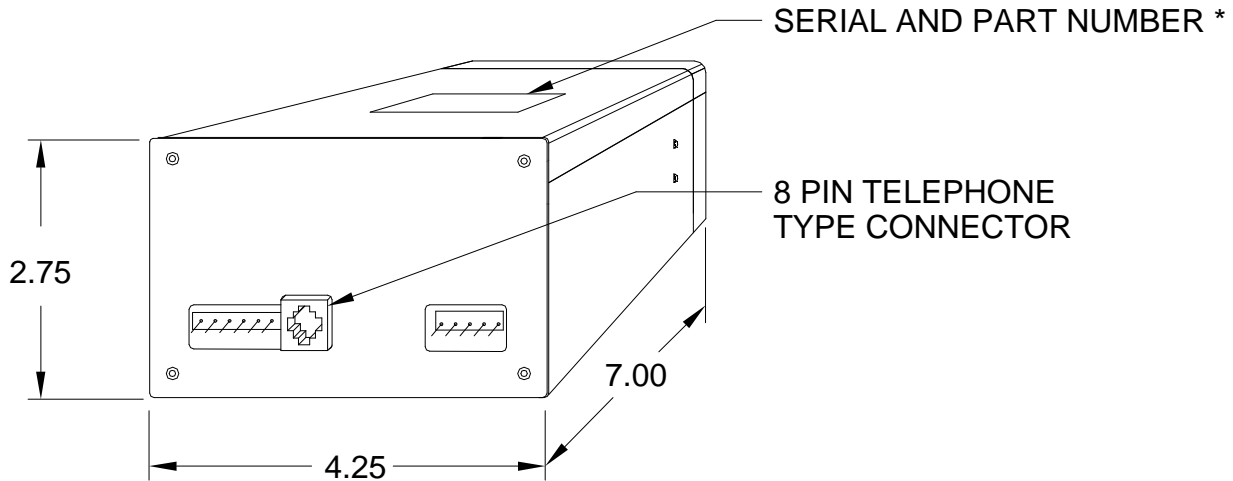
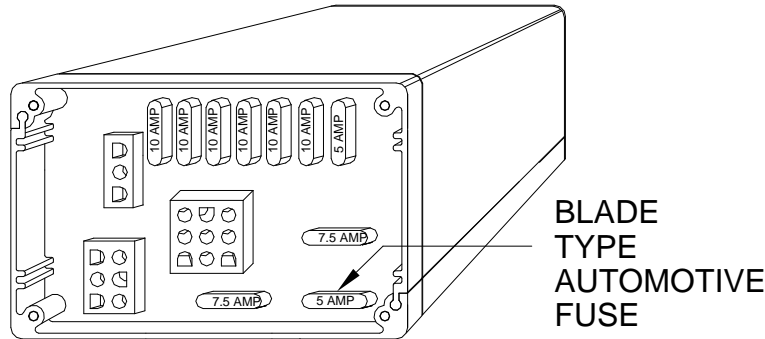
HWH CONTROL UNIT | ELECTRONIC

“CONTROL BOX” 610 SERIES

COMPUTER / TOUCH PANEL-CONTROLLED LEVELING SYSTEMS (Air, Hyd & Air/Hyd)
METAL/PLEXI GLASS BOX | 2.75" x 4.25" x 7.00"

(File: MR154520.DOC | Revised: 29MAR19)

[Print Friendly PDF File](#)



REPLACEMENTS:

- > NEW OR REMANUFACTURED UNITS ARE NO LONGER AVAILABLE.
- > HWH MAY BE ABLE TO REPAIR YOUR EXISTING UNIT.
- > CONTACT HWH TO GET AN RGA NUMBER TO RETURN THE EXISTING UNIT TO HWH FOR REPAIR.

REPLACEMENT CONTROL BOXES

*EXISTING NUMBER	HYDRAULIC LEVELING	JACK SYTLE	AIR DUMP	AIR LEVELING	PARK SIGNAL	OPERATION FEATURES	COMMON APPLIC.	REPLACE NUMBER (R&R ONLY)
AP9800	YES	2-KD	YES	YES	NEG.	JET-AIR SUSPENSION	WINNEBAGO	RAP9800
AP9850	YES	4-KD	YES	YES	NEG.	JET-AIR SUSPENSION	WINNEBAGO	RAP9850

*PART NUMBER IS ON TOP OF BOX. NUMBER BEGINS WITH "AP" FOLLOWED BY 4 OR 5 NUMERALS.