

HWH CONTROL UNIT | ELECTRONIC

"CONTROL BOX"

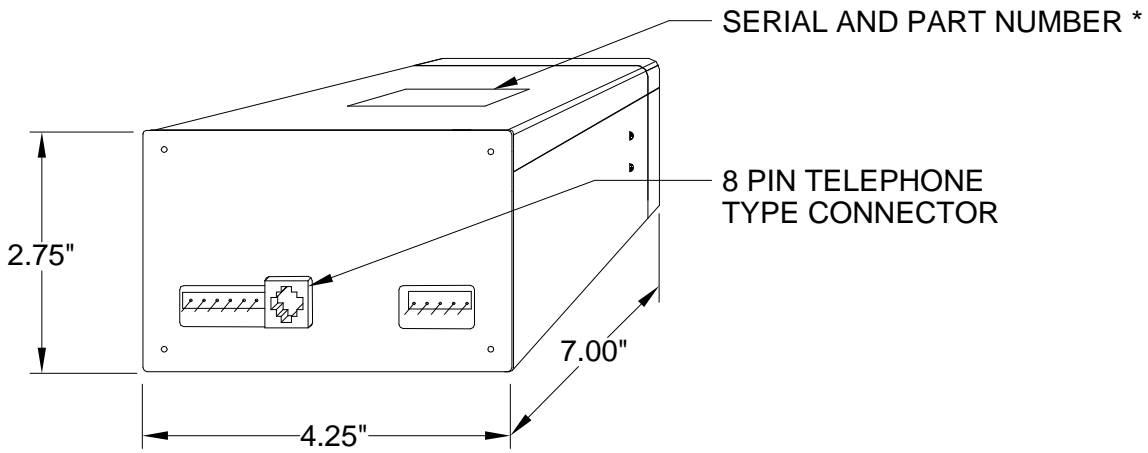
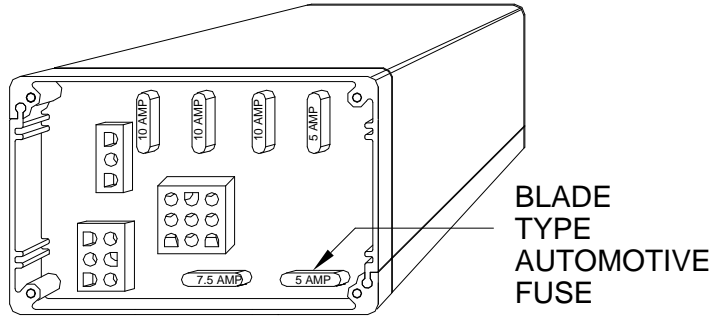
610 SERIES

COMPUTER / TOUCH PANEL-CONTROLLED LEVELING SYSTEMS (Air, Hyd & Air/Hyd)

METAL/PLEXI GLASS BOX | 2.75" x 4.25" x 7.00"

(File: MR154530.DOC | Revised: 29MAR19)

[Print Friendly PDF File](#)



REPLACEMENTS:

- > NEW OR REMANUFACTURED UNITS ARE NO LONGER AVAILABLE.
- > HWH MAY BE ABLE TO REPAIR YOUR EXISTING UNIT.
- > CONTACT HWH TO GET AN RGA NUMBER TO RETURN THE EXISTING UNIT TO HWH FOR REPAIR.

REPLACEMENT CONTROL BOXES

*EXISTING NUMBER	HYDRAULIC LEVELING	JACK STYLE	AIR DUMP	AIR LEVELING	PARK SIGNAL	OPERATION FEATURES	**COMMON APPLIC.	REPLACE NUMBER (R&R ONLY)
AP9463	YES	4-ST	YES	NO	NONE	FIFTH WHEEL TRAILERS	ALFA LEISURE	RAP92025

- * PART NUMBER IS ON TOP OF BOX. NUMBER BEGINS WITH "AP" FOLLOWED BY 4 OR 5 NUMERALS.
- ** SOME VEHICLES MAY HAVE DIFFERENT CONTROL BOXES.