

HWH CONTROL UNIT | ELECTRONIC

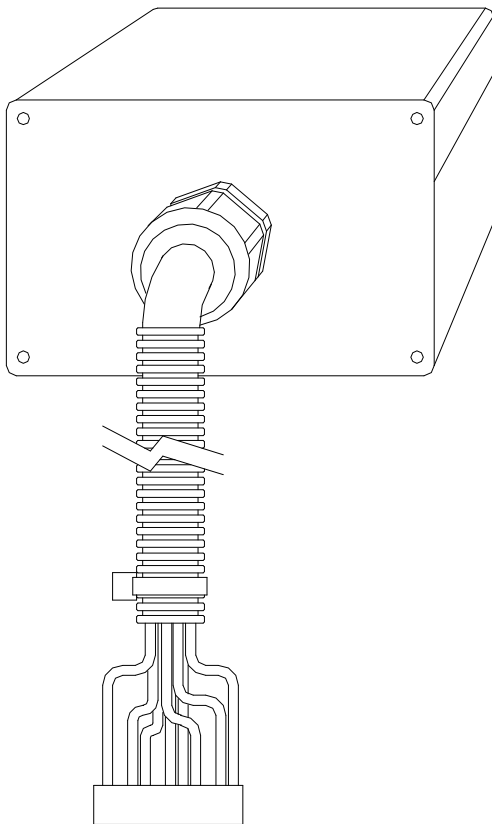
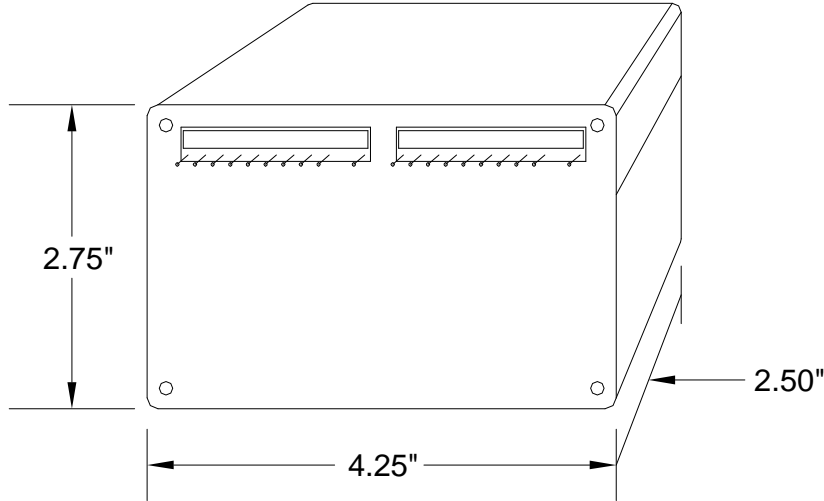
"CONTROL BOX" 610 SERIES

COMPUTER / TOUCH PANEL-CONTROLLED LEVELING SYSTEMS (Air, Hyd & Air/Hyd)

METAL/PLEXI GLASS BOX | 2.75" x 4.25" x 2.50"

(File: MR154700.DOC | Revised: 11JUN18)

[Print Friendly PDF File](#)



THE TOUCH PANEL INTERFACE IS NEEDED TO OPERATE THE SYSTEM WHEN TWO TOUCH PANELS, AT DIFFERENT LOCATIONS ON THE VEHICLE, ARE USED. A STANDARD TOUCH PANEL FOR A 610 SERIES CENTRAL GROUND SYSTEM WILL NOT WORK WITH THE TOUCH PANEL INTERFACE. A SPECIAL TOUCH PANEL IS NEEDED. SEE CONTROL PANELS – COMPUTER CONTROLLED LEVELING SYSTEMS – REMOTE TOUCH PANELS (WITH CABLE ASSEMBLY), FOR CORRECT TOUCH PANEL.

EXISTING NO.	REPLACEMENT NO.
AP11420	RAP90843