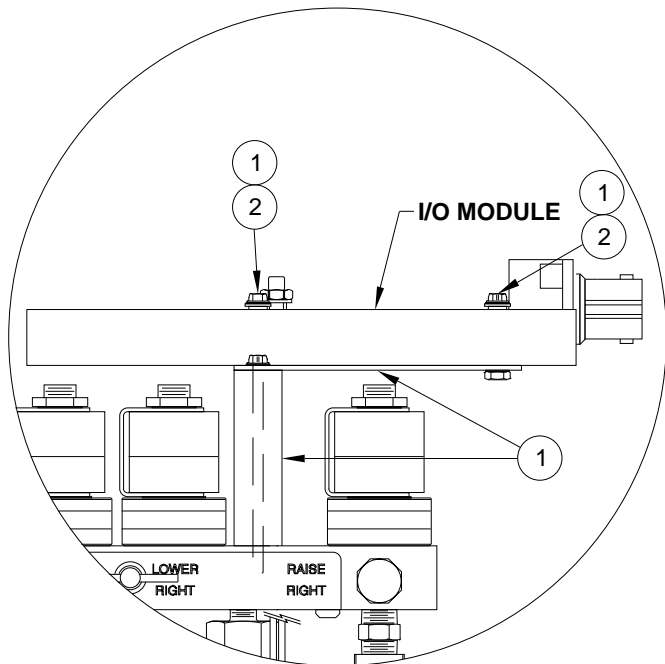


**MULTIPLEX INPUT / OUTPUT MODULE
FOR 700 SERIES, COMPUTER-CONTROLLED LEVELING SYSTEMS
(USE BEGINNING 2011)**



REPLACEMENT PARTS

ITEM	PART	DESCRIPTION
1	RAP93019	MOUNTING KIT
2	RAP93018	HARDWARE KIT
NOTE: REPLACEMENT MODULES INCLUDE ITEM 2.		

COMPLETE ASSEMBLY	ASSEMBLY REPLACEMENT	DESCRIPTION
AP48445	RAP92947	FRONT AIR MANIFOLD
AP48446	RAP92948	REAR AIR MANIFOLD