

# HWH CONTROL UNIT | ELECTRONIC

## “CONTROL BOX”

## 2000 SERIES

COMPUTER / TOUCH PANEL-CONTROLLED LEVELING SYSTEMS (Air, Hyd & Air/Hyd)  
METAL/PLEXI GLASS BOX | 8.50" x 11.50"

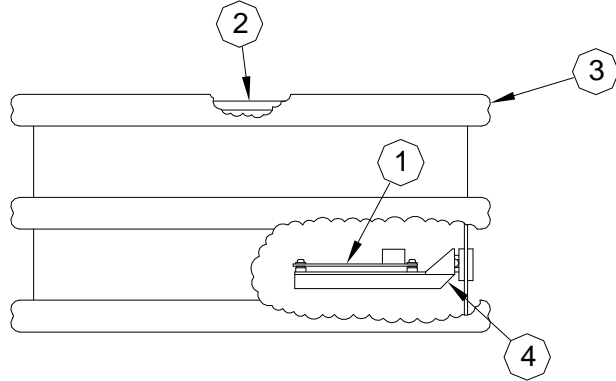
(File: MR157000.DOC | Revised: 11JUN18)

[Print Friendly PDF File](#)

2000 SERIES CONTROL BOXES ARE TO BE REPLACED AS A "COMPLETE ASSEMBLY". LOCATE YOUR CONTROL BOX IN THE "COMPLETE ASSEMBLY" COLUMN. THE "ASSEMBLY REPLACEMENT" COLUMN WILL SHOW THE REPLACEMENT NUMBER FOR THE "COMPLETE ASSEMBLY".

**ALL ASSEMBLIES, SINGLE OR STACKED, WILL HAVE ONE "ASSEMBLY" LABEL LOCATED ON THE OUTSIDE. EACH RING WILL HAVE A "COMPONENT" LABEL ON THE INSIDE.**

### REPLACEMENT PARTS



ITEM	PART	DESCRIPTION
1	RAP92304	SENSING UNIT
2	RAP91932	CLEAR POLY COVER
3	RP92193	RETAINER SEAL (1 PER RP92193)
4	<b>SEE &gt; <a href="http://MR452005.HTML">MR452005.HTML</a> FOR SENSING UNIT MOUNTING HARDWARE INFORMATION.</b>	
	R90924	3 AMP FUSE
	R90925	5 AMP FUSE
	R90926	7.5 AMP FUSE
	R90927	10 AMP FUSE
	R90928	15 AMP FUSE

NOTE: FUSES ARE SOLD IN QUANTITIES OF FIVE.

COMPLETE ASSEMBLY	ASSEMBLY REPLACEMENT	NUMBER OF RINGS	PRIMARY OEM CONTROL BOX INFORMATION
AP39988	RAP92226	2	ACTIVE AIR CONVERSION CENTRAL CONTROL MODULE WITH OUTPUTS FOR 1 ROOM
AP39989	RAP92227	1	ACTIVE AIR CONVERSION FRONT I/O MODULE WITH OUTPUTS FOR FRONT ACTIVE AIR
AP39990	RAP92228	1	ACTIVE AIR CONVERSION REAR I/O MODULE WITH OUTPUTS FOR REAR ACTIVE AIR
AP40089	RAP92229	1	ACTIVE AIR CONVERSION CENTRAL CONTROL MODULE
AP40749	RAP92230	2	ACTIVE AIR CONVERSION – CENTRAL CONTROL MODULE WITH OUTPUTS FOR HYDRAULIC LEVELING
AP40752	RAP92231	1	ACTIVE AIR CONVERSION FRONT I/O MODULE WITH OUTPUTS FOR FRONT ACTIVE AIR
AP41524	RAP92213	2	FORETRAVEL INC. – ACTIVE AIR CENTRAL CONTROL MODULE WITH OUTPUTS FOR 4 ROOMS AND GEN SLIDE
AP41529	RAP92324	1	FORETRAVEL INC. – FRONT I/O MODULE WITH OUTPUTS FOR FRONT ACTIVE AIR – <b>REPLACED BY AP42581</b>
AP41640	RAP92216	2	FORETRAVEL INC. – ACTIVE AIR CENTRAL CONTROL MODULE WITH OUTPUTS FOR 4 ROOMS AND GEN SLIDE
AP41765	RAP92219	2	BLUE BIRD COACHWORKS – ACTIVE AIR CENTRAL CONTROL MODULE WITH OUTPUTS FOR HYDRAULIC LEVELING AND 2 ROOMS
AP41766	RAP92220	2	BLUE BIRD COACHWORKS – FRONT I/O MODULE WITH OUTPUTS FOR FRONT ACTIVE AIR AND 2 ROOMS
AP41767	RAP92221	1	BLUE BIRD COACHWORKS REAR I/O MODULE WITH OUTPUTS FOR REAR ACTIVE AIR
AP41855	RAP92218	1	FORETRAVEL INC. REAR I/O MODULE WITH OUTPUTS FOR REAR ACTIVE AIR
AP41995	RAP92217	2	FORETRAVEL INC. – ACTIVE AIR CENTRAL CONTROL MODULE WITH OUTPUTS FOR 4 ROOMS AND GEN SLIDE
AP42580	RAP92322	2	BLUE BIRD COACHWORKS – ACTIVE AIR CENTRAL CONTROL MODULE WITH OUTPUTS FOR 2 ROOMS AND HYDRAULIC JACKS
AP42581	RAP92324	1	FORETRAVEL INC. AND BLUE BIRD COACHWORKS FRONT I/O MODULE WITH OUTPUTS FOR FRONT ACTIVE AIR

<b>AP42582</b>	RAP92325	2	BLUE BIRD COACHWORKS – REAR I/O MODULE WITH OUTPUTS FOR REAR ACTIVE AIR AND 2 ROOMS
<b>AP42659</b>	RAP92331	2	ACTIVE AIR CONVERSION–ACTIVE AIR CENTRAL CONTROL MODULE AND FRONT I/O MODULE WITH OUTPUTS FOR FRONT ACTIVE AIR
<b>AP42693</b>	RAP92332	1	ACTIVE AIR CONVERSION FRONT I/O MODULE WITH OUTPUTS FOR FRONT ACTIVE AIR
<b>AP42904</b>	RAP92334	2	FORETRAVEL INC. – ACTIVE AIR CENTRAL CONTROL MODULE WITH OUTPUTS FOR 3 ROOMS AND GEN SLIDE
<b>AP42910</b>	RAP92335	2	FORETRAVEL INC. – ACTIVE AIR CENTRAL CONTROL MODULE WITH OUTPUTS FOR 3 ROOMS AND GEN SLIDE
<b>AP43102</b>	RAP92336	2	FORETRAVEL INC. – ACTIVE AIR CENTRAL CONTROL MODULE WITH OUTPUTS FOR 3 ROOMS AND GEN SLIDE
<b>AP43356</b>	RAP92338	1	NO CURRENT USAGE
<b>AP43364</b>	RAP92339	1	FORETRAVEL INC. AND ACTIVE AIR CONVERSION REAR I/O MODULE WITH OUTPUTS FOR REAR ACTIVE AIR
<b>AP43380</b>	RAP92340	3	ACTIVE AIR CONV.-CENTRAL CONTROL AND FRONT AIR/ROOM I/O MODULE WITH OUTPUTS FOR FRONT ACTIVE AIR AND 3 ROOMS
<b>AP43498</b>	RAP92342	3	ACTIVE AIR CONV.-CENTRAL CONTROL AND FRONT AIR/ROOM I/O MODULE WITH OUTPUTS FOR FRONT ACTIVE AIR AND 3 ROOMS
<b>AP43530</b>	RAP92343	2	ACTIVE AIR CONVERSION – CENTRAL CONTROL MODULE WITH OUTPUTS FOR HYDRAULIC LEVELING
<b>AP43560</b>	RAP92344	2	FORETRAVEL INC. – ACTIVE AIR CENTRAL CONTROL MODULE WITH OUTPUTS FOR 2 ROOMS AND GEN SLIDE
<b>AP43585</b>	RAP92345	2	NO USAGE - SEE AP45034
<b>AP44405</b>	RAP92996	2	ACTIVE AIR CONVERSION-ACTIVE AIR CENTRAL CONTROL MODULE AND FRONT I/O MODULE WITH OUTPUTS FOR FRONT ACTIVE AIR
<b>AP44406</b>	RAP92997	1	ACTIVE AIR CONVERSION REAR I/O MODULE WITH OUTPUTS FOR REAR ACTIVE AIR
<b>AP44521</b>	RAP92998	2	FORETRAVEL INC. – ACTIVE AIR CENTRAL CONTROL MODULE WITH OUTPUTS FOR 4 ROOMS AND GEN SLIDE
<b>AP44540</b>	RAP92999	2	FORETRAVEL INC. – ACTIVE AIR CENTRAL CONTROL MODULE WITH OUTPUTS FOR 3 ROOMS AND GEN SLIDE
<b>AP44751</b>	RAP93001	2	FORETRAVEL INC. – ACTIVE AIR CENTRAL CONTROL MODULE WITH OUTPUTS FOR 3 ROOMS AND GEN SLIDE
<b>AP44819</b>	RAP93009	2	FORETRAVEL INC. – ACTIVE AIR CENTRAL CONTROL MODULE WITH OUTPUTS FOR 3 ROOMS, GEN SLIDE AND FLOOR
<b>AP45034</b>	RAP92345	2	FORETRAVEL INC. – ACTIVE AIR CENTRAL CONTROL MODULE WITH OUTPUTS FOR 4 ROOMS AND GEN SLIDE
<b>AP45042</b>	RAP93002	2	FORETRAVEL INC. – ACTIVE AIR CENTRAL CONTROL MODULE WITH OUTPUTS FOR 4 ROOMS AND GEN SLIDE
<b>AP45351</b>	RAP93004	2	NO CURRENT USAGE
<b>AP45394</b>	RAP93005	2	FORETRAVEL INC. – ACTIVE AIR CENTRAL CONTROL MODULE WITH OUTPUTS FOR 3 ROOMS AND GEN SLIDE
<b>AP45964</b>	RAP93006	2	NO CURRENT USAGE
<b>AP47524</b>	RAP93007	3	ACTIVE AIR CONV. – CENTRAL CONTROL AND FRONT AIR/ROOM I/O MODULE WITH OUTPUTS FOR FRONT ACTIVE AIR AND 4 ROOMS
<b>AP49030</b>	RAP93008	1	FORETRAVEL INC. AND ACTIVE AIR CONVERSION REAR I/O MODULE WITH OUTPUTS FOR REAR ACTIVE AIR