

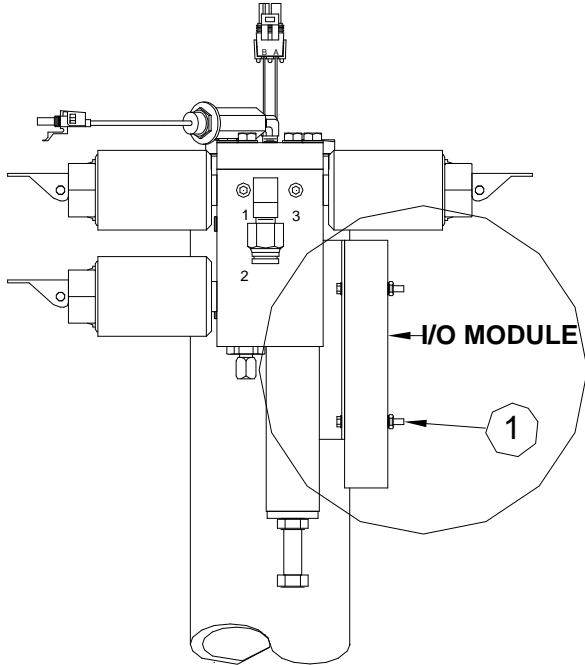
HWH CONTROL UNIT | ELECTRONIC

"MIOM"

COMPUTER / TOUCH PANEL-CONTROLLED LEVELING SYSTEMS (Air, Hyd & Air/Hyd)
METAL/PLEXI GLASS BOX | 8.50" x 11.50"

(File: MR159500.DOC | Revised: 14JUN18)

[Print Friendly PDF File](#)



REPLACEMENT PARTS

ITEM	PART	QTY	DESCRIPTION
1	RAP93016		HDWE KIT MTG
1A		2	#8 X 1.25" SCREW
1B		2	#8 HEX NUT
1C		2	#8 FLAT WASHER
1D		2	#8 LOCK WASHER

NOTE: REPLACEMENT MODULES INCLUDE ITEM 1

COMPLETE ASSEMBLY	ASSEMBLY REPLACEMENT	JACK	OEM
AP47181	RAP92981	LEFT FRONT	OSHKOSH SPECIALTY VEHICLES / STANTON DYNAMICS REPLACEMENT WILL BE AP52051 MODULE WITH ADAPTER.
AP47182	RAP92982	RIGHT FRONT	OSHKOSH SPECIALTY VEHICLES / STANTON DYNAMICS REPLACEMENT WILL BE AP52052 MODULE WITH ADAPTER.
AP47183	RAP92983	RIGHT REAR	OSHKOSH SPECIALTY VEHICLES / STANTON DYNAMICS REPLACEMENT WILL BE AP52053 MODULE WITH ADAPTER.
AP47184	RAP92984	LEFT REAR	OSHKOSH SPECIALTY VEHICLES / STANTON DYNAMICS REPLACEMENT WILL BE AP52054 MODULE WITH ADAPTER.
AP47671	RAP92961	LEFT FRONT	LDV INC. / 4D
AP47672	RAP92962	RIGHT FRONT	LDV INC. / 4D
AP47673	RAP92963	RIGHT REAR	LDV INC. / 4D
AP47674	RAP92964	LEFT REAR	LDV INC. / 4D
AP52051	RAP93351	LEFT FRONT	KENTUCKY TRAILER TECHNOLOGIES / STANTON DYNAMICS
AP52052	RAP93352	RIGHT FRONT	KENTUCKY TRAILER TECHNOLOGIES / STANTON DYNAMICS
AP52053	RAP93353	RIGHT REAR	KENTUCKY TRAILER TECHNOLOGIES / STANTON DYNAMICS
AP52054	RAP93354	LEFT REAR	KENTUCKY TRAILER TECHNOLOGIES / STANTON DYNAMICS