

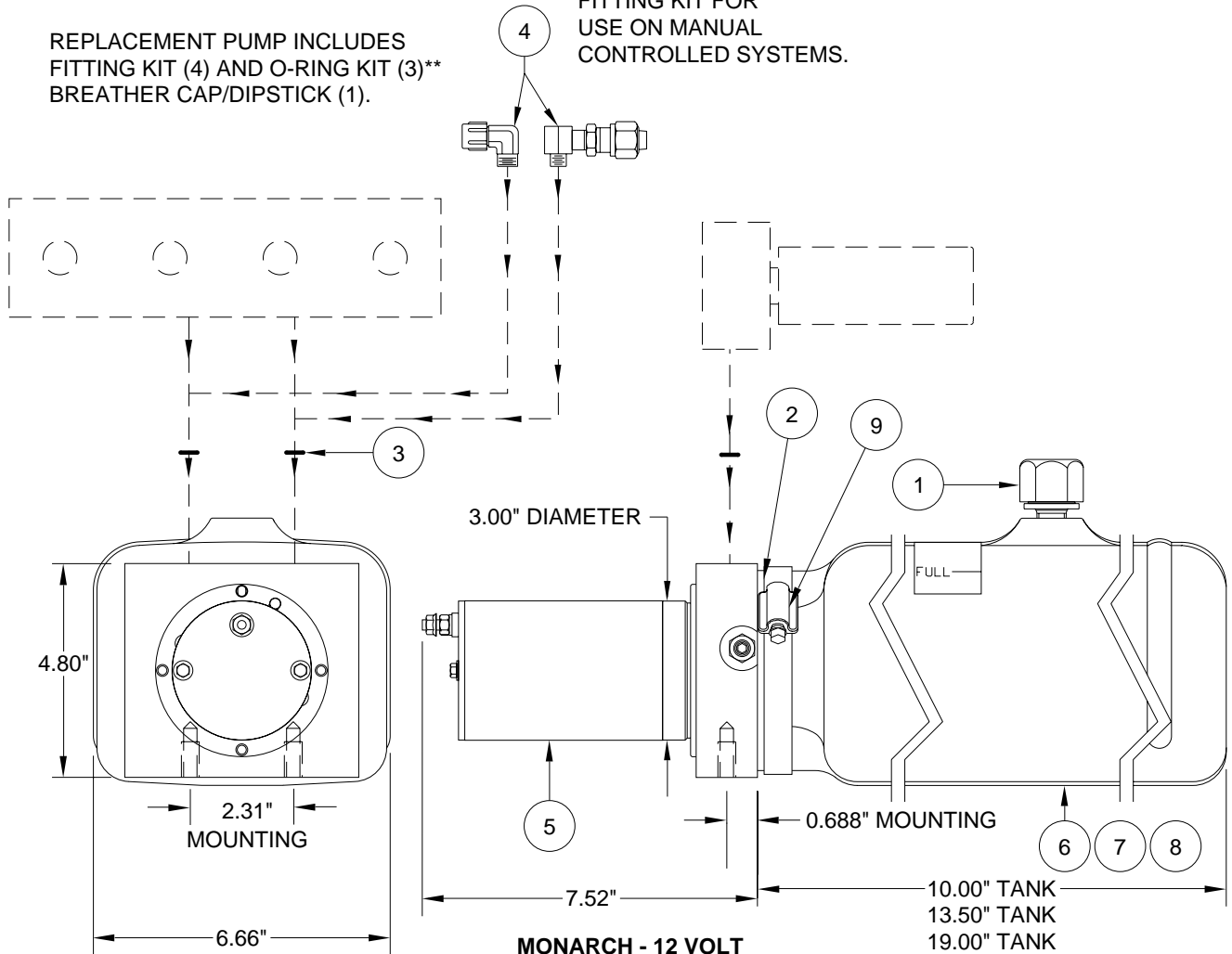
PUMP/MOTOR/TANK ASSEMBLY

AP40331/AP40332/AP44644 MONARCH

PUMP RELIEF IS SET AT 3500 PSI.

REPLACEMENT PUMP INCLUDES FITTING KIT (4) AND O-RING KIT (3)** BREATHER CAP/DIPSTICK (1).

FITTING KIT FOR USE ON MANUAL CONTROLLED SYSTEMS.



**MONARCH - 12 VOLT
3.00" MOTOR
SUPPLIED 2007 TO PRESENT**

ITEM	PART	QTY	DESCRIPTION	ITEM	PART	QTY	DESCRIPTION
	RAP92088		POWER UNIT/BMM/0.8 GALLON 3.00" MOTOR (AP40331)	4	RAP0586	1	FITTING KIT
	RAP92089		POWER UNIT/BMM/1.2 GALLON 3.00" MOTOR (AP40332)	5	RAP90311	1	MOTOR KIT 3.00"
	RAP92589		POWER UNIT/BMM/1.6 GALLON 3.00" MOTOR (AP44644)	6	RP92196	1	TANK 0.8 GALLON 10.00" X 5.46" X 6.50"
1	RAP7876	1	BREATHER CAP/ DIPSTICK	7	RP92197	1	TANK 1.2 GALLON 13.50" X 5.46" X 6.50"
2	RP5008	1	O-RING TANK	8	RP92584	1	TANK 1.6 GALLON 19.00" X 5.46" X 6.50"
3	**R92957	1	O-RING KIT	9	RP92195	1	TANK BAND CLAMP 4.50"

**R92957 O-RING KIT INCLUDES (8) O2-015-9N O-RINGS FOR 11/16" SPOT FACE ON MANIFOLD