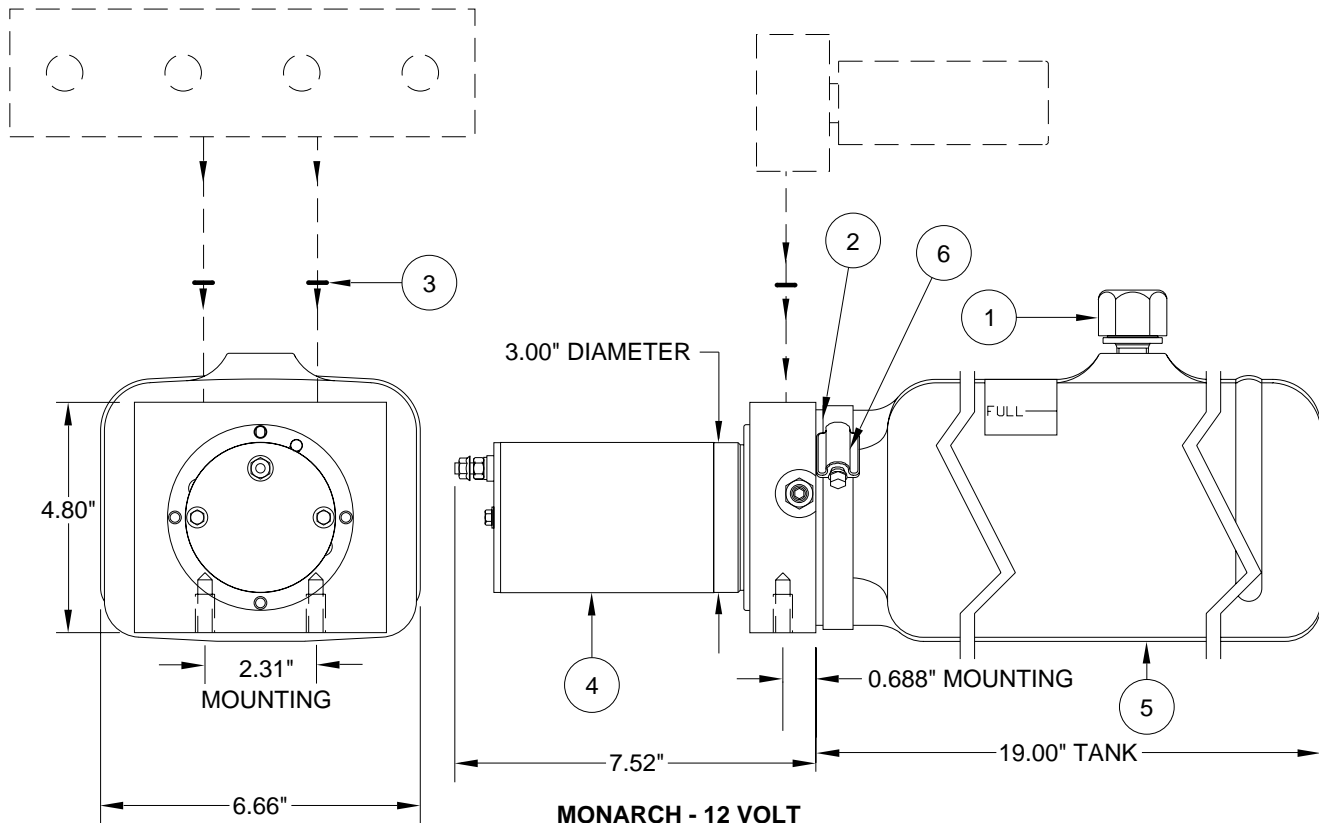


# PUMP/MOTOR/TANK ASSEMBLY

## AP43986 MONARCH

PUMP RELIEF IS SET AT 3000 PSI.

REPLACEMENT PUMP INCLUDES  
O-RING KIT (3)\*\* AND  
BREATHER CAP/DIPSTICK (1).



**MONARCH - 12 VOLT  
3.00" MOTOR  
SUPPLIED 2008 TO PRESENT**

| ITEM | PART     | QTY | DESCRIPTION                                     | ITEM | PART     | QTY | DESCRIPTION                            |
|------|----------|-----|---|------|----------|-----|--|
|      | RAP92586 |     | POWER UNIT/BMM/1.6 GALLON 3.00" MOTOR (AP43986) | 3    | **R92957 | 1   | O-RING KIT                             |
| 1    | RAP7876  | 1   | BREATHER CAP/ DIPSTICK                          | 4    | RAP90311 | 1   | MOTOR KIT 3.00"                        |
| 2    | RP5008   | 1   | O-RING TANK                                     | 5    | RP92584  | 1   | TANK 1.6 GALLON 19.00" X 5.46" X 6.50" |
|      |          |     |   | 6    | RP92195  | 1   | TANK BAND CLAMP 4.50"                  |

\*\*R92957 O-RING KIT INCLUDES (8) O2-015-9N O-RINGS FOR 11/16" SPOT FACE ON MANIFOLD