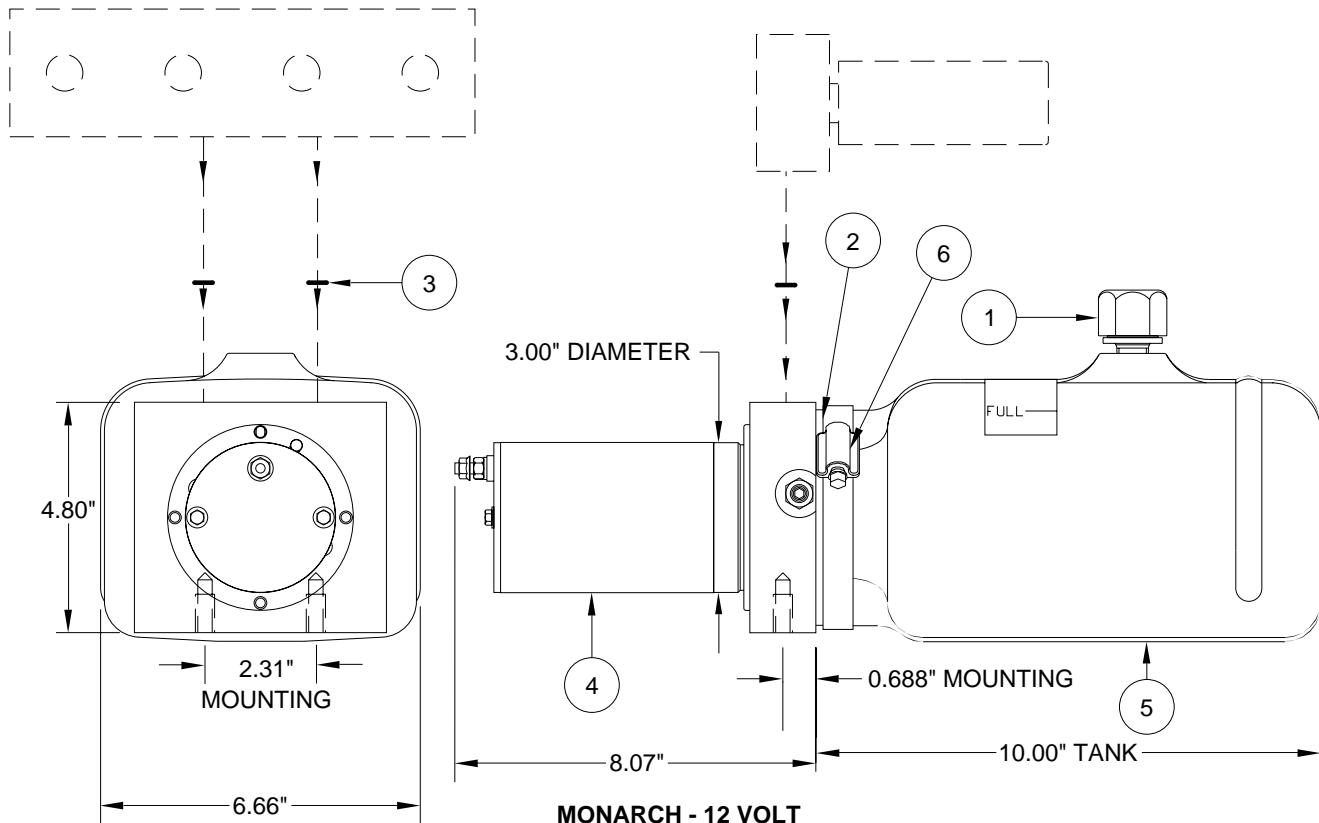


PUMP/MOTOR/TANK ASSEMBLY

AP48930 MONARCH

PUMP RELIEF IS SET AT 3500 PSI.

REPLACEMENT PUMP INCLUDES
O-RING KIT (3)** AND
BREATHER CAP/DIPSTICK (1).



**MONARCH - 12 VOLT
3.00" MOTOR SLOW SPEED
SUPPLIED 2011 TO PRESENT**

ITEM	PART	QTY	DESCRIPTION	ITEM	PART	QTY	DESCRIPTION
	RAP92953		POWER UNIT/BMM/0.8 GALLON 3.00" MOTOR SS	3	**R92957	1	O-RING KIT
1	RAP7876	1	BREATHER CAP/ DIPSTICK	4	RAP92952	1	MOTOR KIT 3.00" SS
2	RP5008	1	O-RING TANK	5	RP92196	1	TANK 0.8 GALLON 10.00" X 5.46" X 6.50"
				6	RP92195	1	TANK BAND CLAMP 4.50"

**R92957 O-RING KIT INCLUDES (8) O2-015-9N O-RINGS FOR 11/16" SPOT FACE ON MANIFOLD