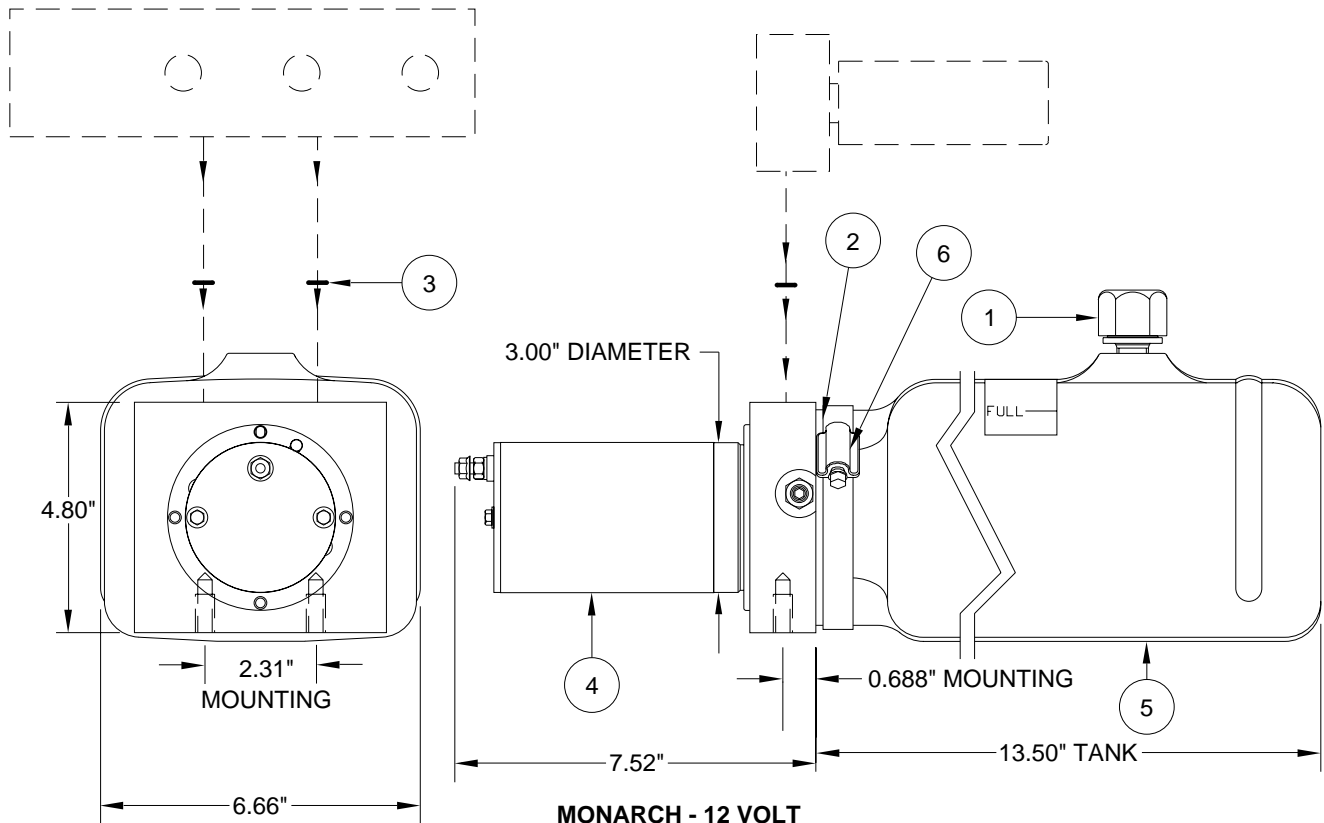


# PUMP/MOTOR/TANK ASSEMBLY

## AP49078 MONARCH

PUMP RELIEF IS SET AT 2500 PSI.

REPLACEMENT PUMP INCLUDES  
O-RING KIT (3)\*\* AND  
BREATHER CAP/DIPSTICK (1).



ITEM	PART	QTY	DESCRIPTION	ITEM	PART	QTY	DESCRIPTION
	RAP93086		POWER UNIT/BMM/1.2 GALLON 3.00" MOTOR	4	RAP90311	1	MOTOR KIT 3.00"
1	RAP7876	1	BREATHER CAP/ DIPSTICK	5	RP92197	1	TANK 1.2 GALLON 13.50" X 5.46" X 6.66"
2	RP5008	1	O-RING TANK	6	RP92195	1	TANK BAND CLAMP 4.50"
3	**R92957	1	O-RING KIT				

\*\*R92957 O-RING KIT INCLUDES (8) O2-015-9N O-RINGS FOR 11/16" SPOT FACE ON MANIFOLD