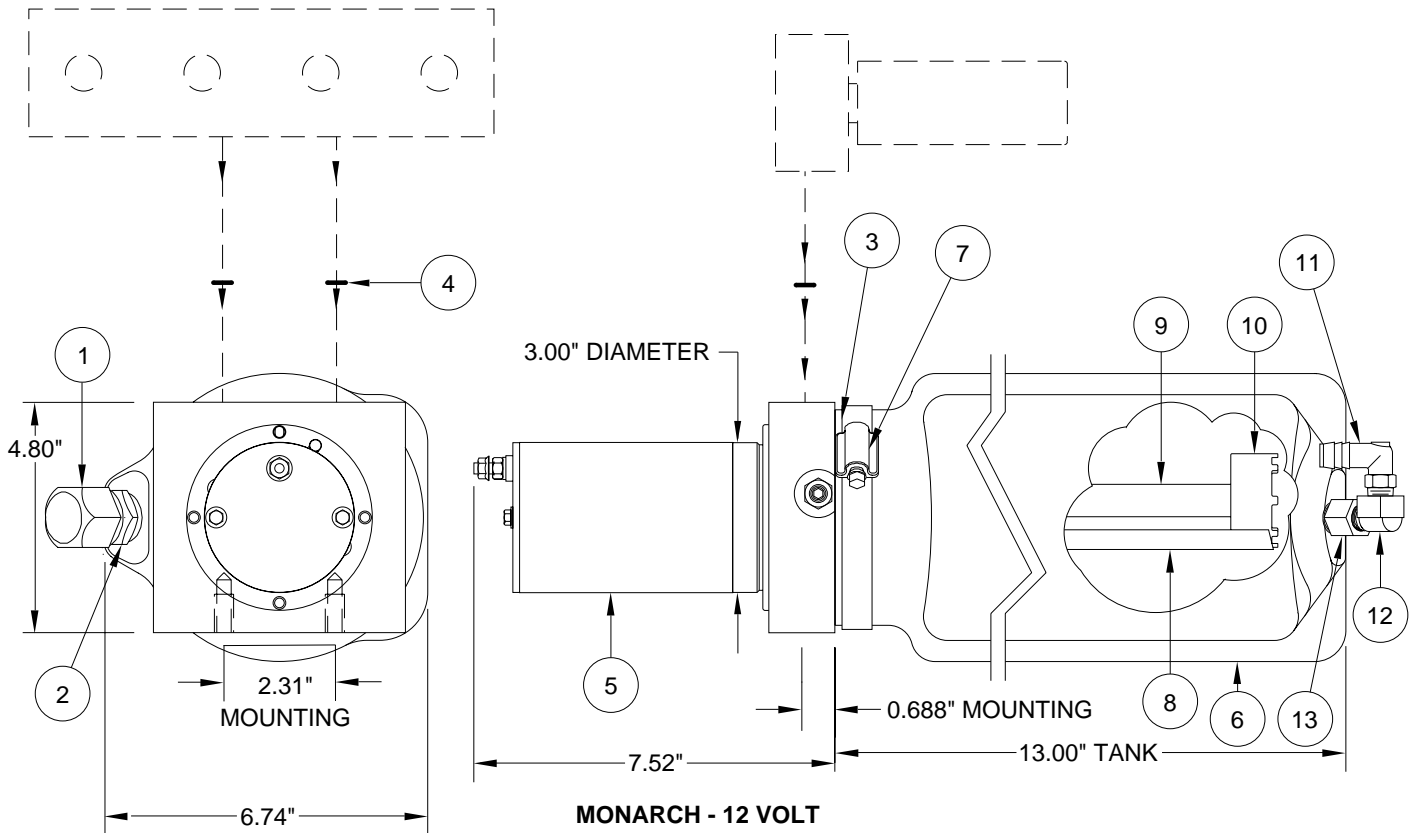


# PUMP/MOTOR/TANK ASSEMBLY

## AP49228 MONARCH

PUMP RELIEF IS SET AT 2500 PSI.

REPLACEMENT PUMP INCLUDES  
REDUCER (2), O-RING KIT (3)\*\*, AND  
BREATHER CAP/DIPSTICK (1).



ITEM	PART	QTY	DESCRIPTION	ITEM	PART	QTY	DESCRIPTION
	RAP93089		POWER UNIT/BMM/0.79 GALLON 3.00" MOTOR	7	RP92195	1	TANK BAND CLAMP 4.50"
1	RAP7876	1	BREATHER CAP/ DIPSTICK	8	RP93098	1	DROP TUBE
2	RF93096	1	REDUCER 3/4" x 3/8"	9	RP93097	1	SUCTION TUBE
3	RP5008	1	O-RING TANK	10	RP90417	1	STRAINER
4	**R92957	1	O-RING KIT	11	RF92598	1	1/4" NPT x 1/2" NYLON ELBOW
5	RAP90311	1	MOTOR KIT 3.00"	12	RF3340	1	1/4" BRASS ELBOW
6	RP93088	1	TANK 0.79 GALLON VERTICAL (INCLUDES ITEM 2)	13	RF93099	1	1/4" x 9/16" ADAPTER

\*\*R92957 O-RING KIT INCLUDES (8) O2-015-9N  
O-RINGS FOR 11/16" SPOT FACE ON MANIFOLD