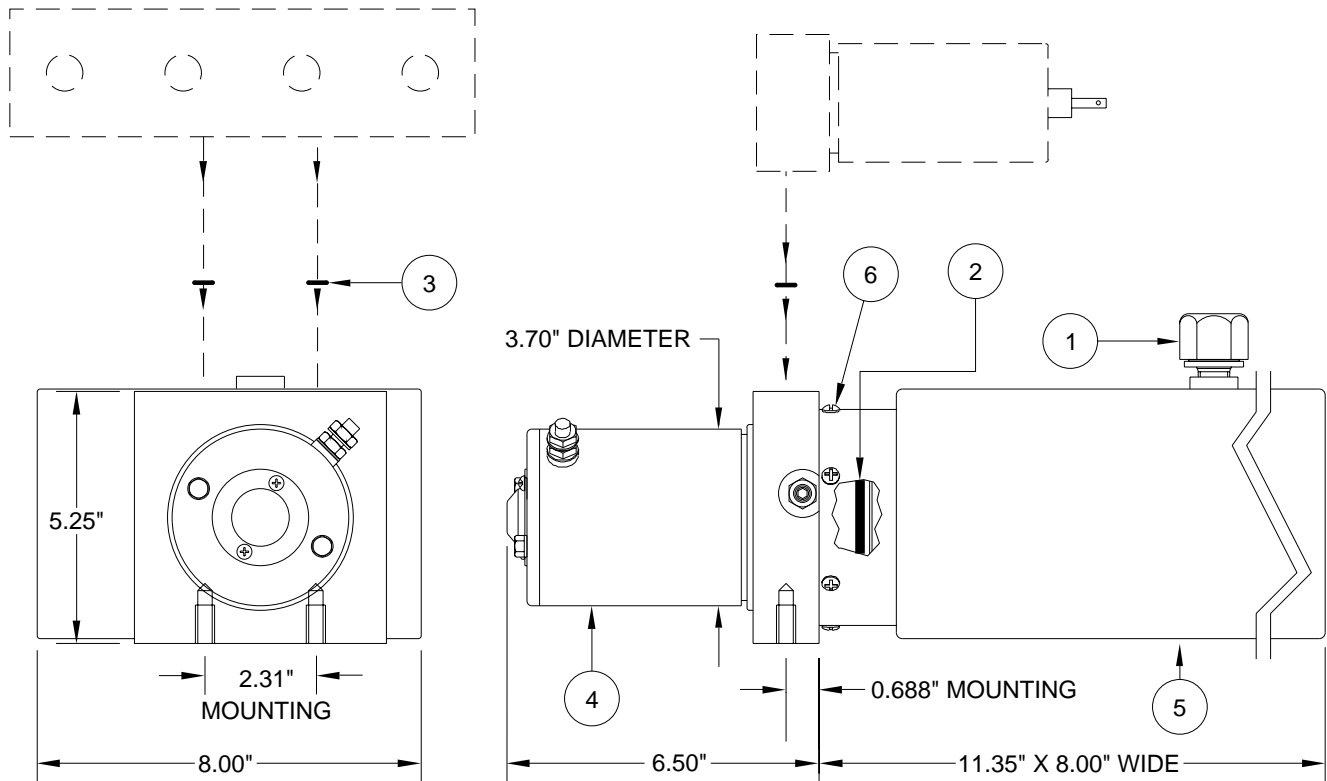


# PUMP/MOTOR/TANK ASSEMBLY

## AP48249 MONARCH

PUMP RELIEF IS SET AT 1600 PSI.

REPLACEMENT PUMP INCLUDES  
BREATHER CAP/DIPSTICK (1) AND  
O-RING KIT (3)\*\*.



**MONARCH - 12 VOLT  
3.70" MOTOR  
SUPPLIED 2011 TO PRESENT**

ITEM	PART	QTY	DESCRIPTION	ITEM	PART	QTY	DESCRIPTION
	RAP93085		POWER UNIT/BMM/1.5 GALLON 3.7" MOTOR	3	**R92957	1	O-RING KIT
1	RAP7876	1	BREATHER CAP/ DIPSTICK	4	RAP91249	1	MOTOR KIT 3.70"
2	RP5008	1	O-RING TANK	5	RP91692	1	TANK 1.5 GALLON 11.35" X 5.25" X 8.00"
				6	RAP90678	1	HDWE TANK SCREWS

\*\*R92957 O-RING KIT INCLUDES (8) O2-015-9N  
O-RINGS FOR 11/16" SPOT FACE ON MANIFOLD