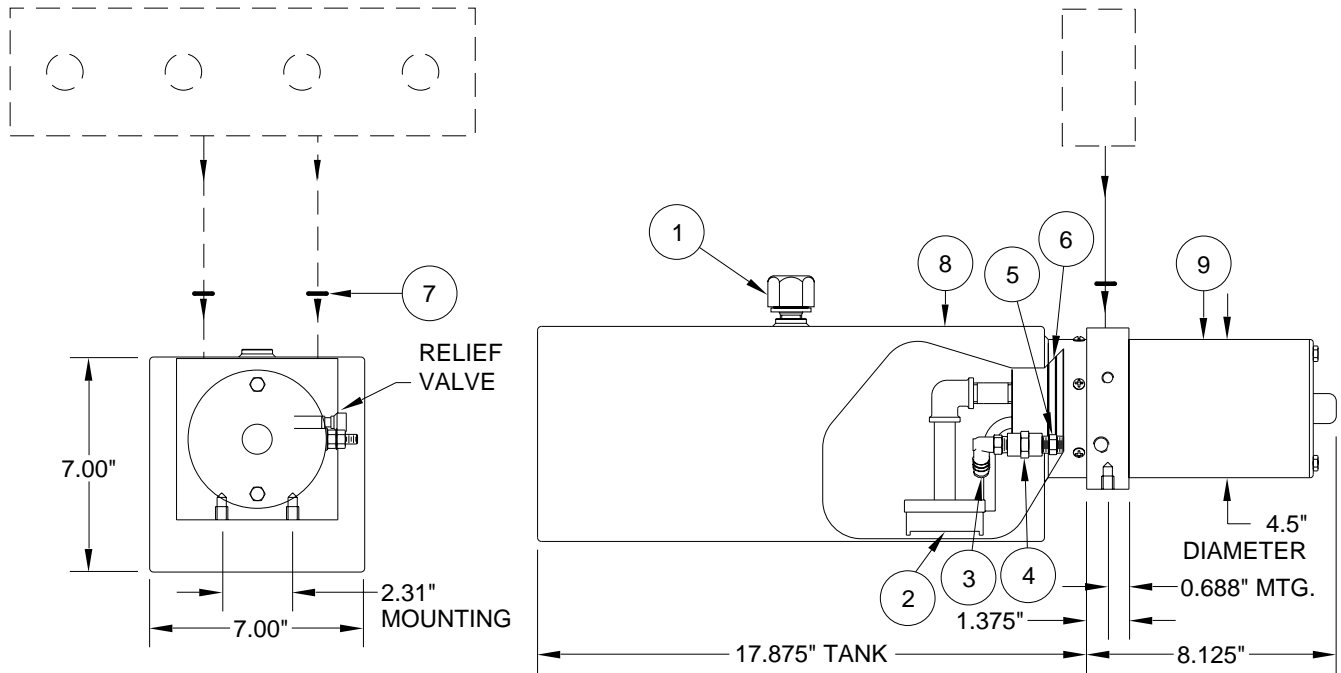


PUMP/MOTOR/TANK ASSEMBLY AP44512 MONARCH

PUMP RELIEF IS SET AT 3500 PSI.

REPLACEMENT PUMP INCLUDES
O-RING KIT (5) AND
BREATHER CAP/DIPSTICK (1).



**MONARCH - 12 VOLT
3.5 GALLON BOTTOM MOUNT
SUPPLIED 2009 TO PRESENT**

ITEM	PART	QTY	DESCRIPTION	ITEM	PART	QTY	DESCRIPTION
	RAP92588		POWER UNIT/BMM/3.5 GALLON 4.5" MOTOR	5	RF6011	1	1/4" NPT NIPPLE
1	RAP7876	1	BREATHER CAP/ DIPSTICK	6	RP5008	1	O-RING TANK
2	RP90417	1	STRAINER	7	** R92957	1	O-RING KIT
3	RF92598	1	1/4" NPT x 1/2" NYLON ELBOW	8	RP90418	1	TANK 3.5 GAL. 17.875" X 7.00" X 7.00" RECT.
4	RF5599	1	1/4" NPT COUPLING	9	RAP90415	1	MOTOR KIT 4.5" 12 VOLT

**R92957 O-RING KIT INCLUDES (8) O2-015-9N
O-RINGS FOR 11/16" SPOT FACE ON MANIFOLD

**MR30.3366
11FEB13**