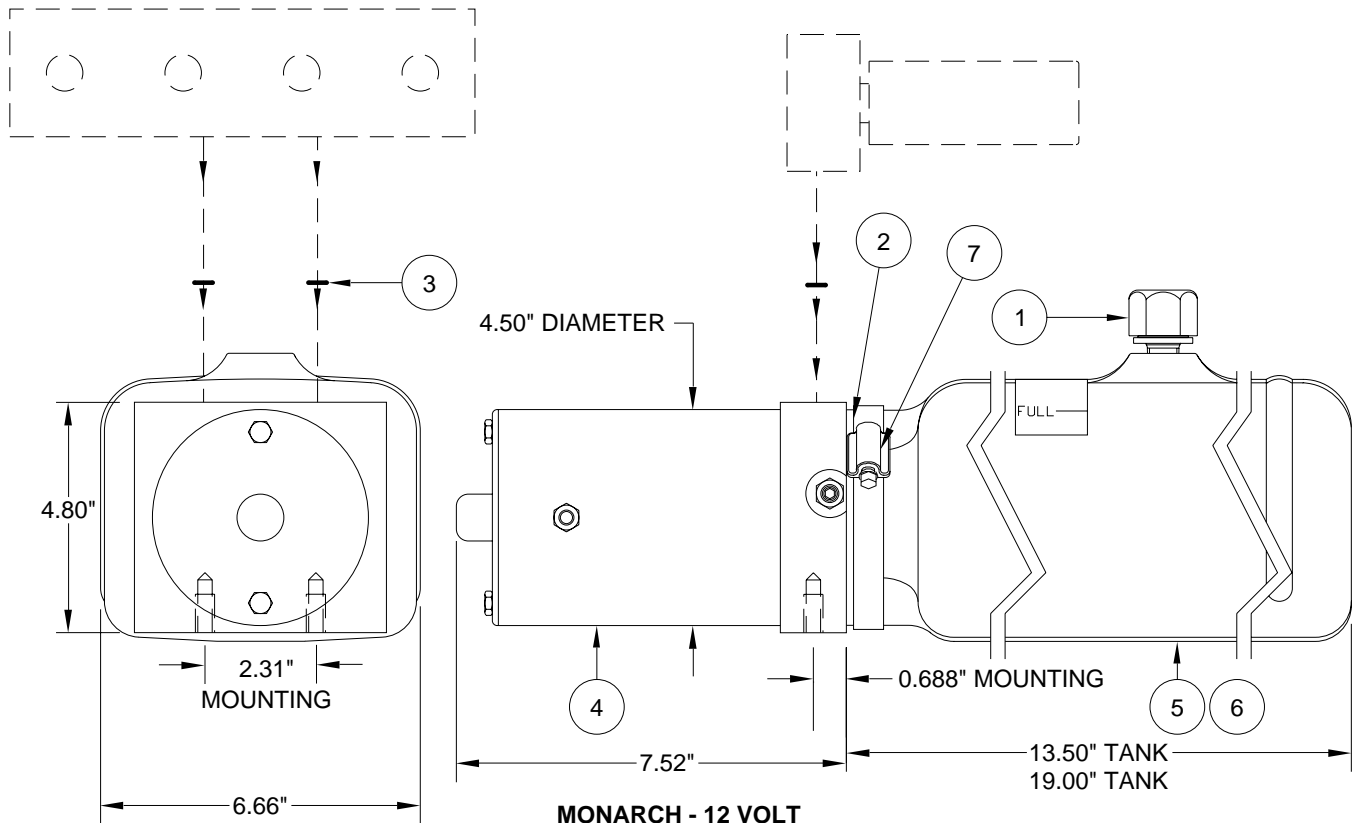


PUMP/MOTOR/TANK ASSEMBLY

AP49096/AP49167 MONARCH

PUMP RELIEF IS SET AT 3500 PSI.

REPLACEMENT PUMP INCLUDES BREATHER
CAP/DIPSTICK (1) AND O-RING KIT (3)**



**MONARCH - 12 VOLT
4.50" MOTOR
SUPPLIED 2011 TO PRESENT**

ITEM	PART	QTY	DESCRIPTION	ITEM	PART	QTY	DESCRIPTION
	RAP93093		POWER UNIT/BMM/1.2 GALLON 4.50" MOTOR (AP49096)	4	RAP90415	1	MOTOR KIT 4.50" 12 V
	RAP93094		POWER UNIT/BMM/1.6 GALLON 4.50" MOTOR (AP49167)	5	RP92197	1	TANK 1.2 GALLON 13.50" X 5.46" X 6.50"
1	RAP7876	1	BREATHER CAP/ DIPSTICK	6	RP92584	1	TANK 1.6 GALLON 19.00" X 5.46" X 6.50"
2	RP5008	1	O-RING TANK	7	RP92195	1	TANK BAND CLAMP 4.50"
3	**R92957	1	O-RING KIT				

**R92957 O-RING KIT INCLUDES (8) O2-015-9N O-RINGS FOR 11/16" SPOT FACE ON MANIFOLD