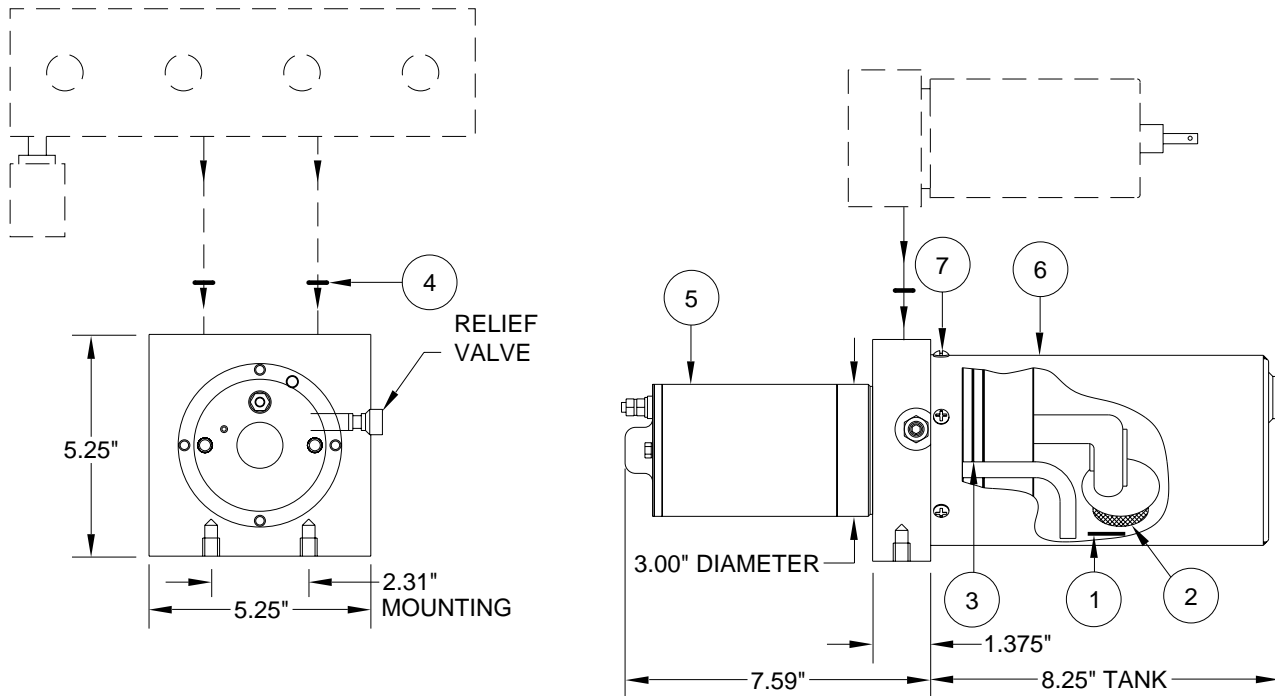


# PUMP/MOTOR/TANK ASSEMBLY AP13333 MONARCH - 12 VOLT - OBSOLETE

PUMP RELIEF IS SET AT 3500 PSI.

FOR USE WITH AUXILIARY TANK.

REPLACEMENT PUMP INCLUDES  
O-RING KIT (4).



### MONARCH - 12 VOLT .35 GALLON BOTTOM MOUNT SUPPLIED 1997 TO 2002

ITEM	PART	QTY	DESCRIPTION	ITEM	PART	QTY	DESCRIPTION
	AP13333	<b>OBS</b>	POWER UNIT/BMM/.35 GALLON 3" MOTOR	4	** R92957	1	O-RING KIT
1	RP3526	1	MAGNET	5	RAP90311	1	MOTOR KIT 3.0" 12 VOLT
2	RP5010	1	STRAINER	6	RP90421	1	TANK .35 GAL 8" x 4.5" RD
3	RP5008	1	O-RING TANK	7	RAP90678	1	HDWE TANK SCREWS
					R5303		BRACKET KIT ADAPTS BOTTOM MOUNT PUMP TO SIDE MOUNT.

\*\*R92957 O-RING KIT INCLUDES (8) O2-015-9N  
O-RINGS FOR 11/16" SPOT FACE ON MANIFOLD