

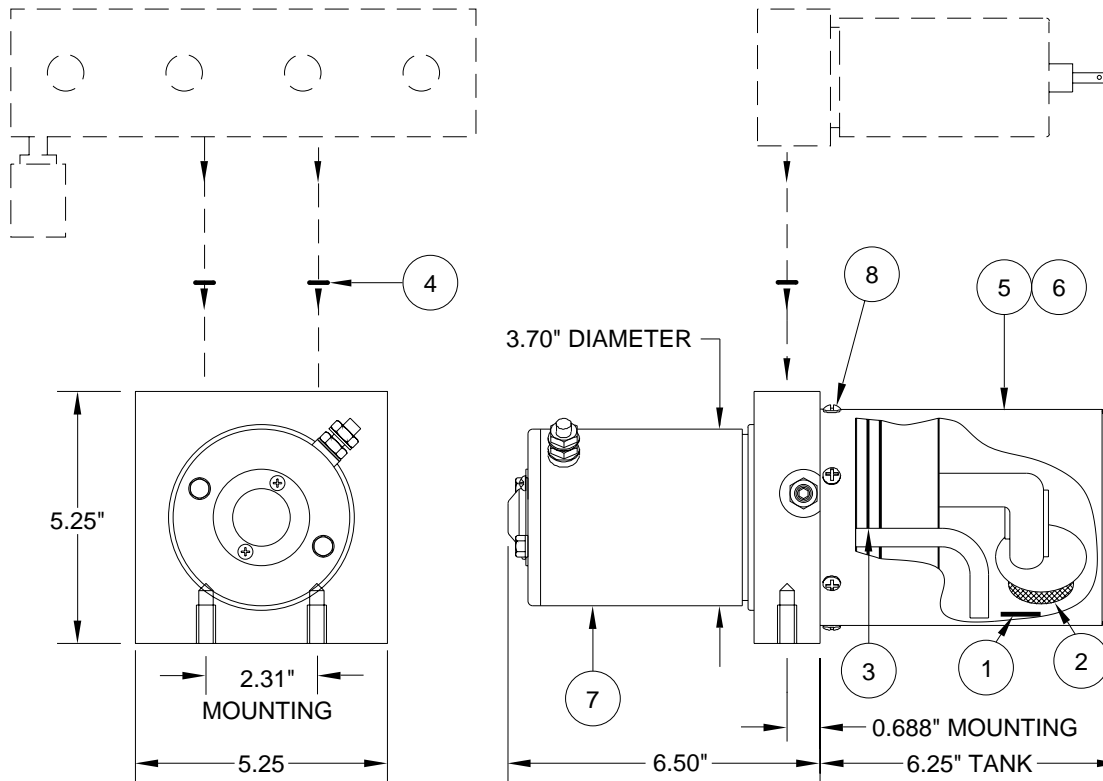
# PUMP/MOTOR/TANK ASSEMBLY

## AP36604 MONARCH

PUMP RELIEF IS SET AT 3500 PSI.

FOR USE WITH AUXILIARY TANK.

REPLACEMENT PUMP INCLUDES  
O-RING KIT (4).



**MONARCH - 12 VOLT  
.25 GALLON BOTTOM MOUNT  
SUPPLIED 2005 TO PRESENT**

ITEM	PART	QTY	DESCRIPTION	ITEM	PART	QTY	DESCRIPTION
	RAP91937		POWER UNIT/BMM/.25 GALLON 3.7" MOTOR (AP36604)	4	** R92957	1	O-RING KIT
1	RP3526	1	MAGNET	5	RP90421	1	TANK .35 GAL 8" x 4.5" RD
2	RP5010	1	STRAINER	6	RP92198	1	TANK .25 GAL 6" x 4.5" RD
3	RP5008	1	O-RING TANK	7	RAP91249	1	MOTOR KIT 3.70"
				8	RAP90678	1	HDWE TANK SCREWS

\*\*R92957 O-RING KIT INCLUDES (8) O2-015-9N O-RINGS FOR 11/16" SPOT FACE ON MANIFOLD