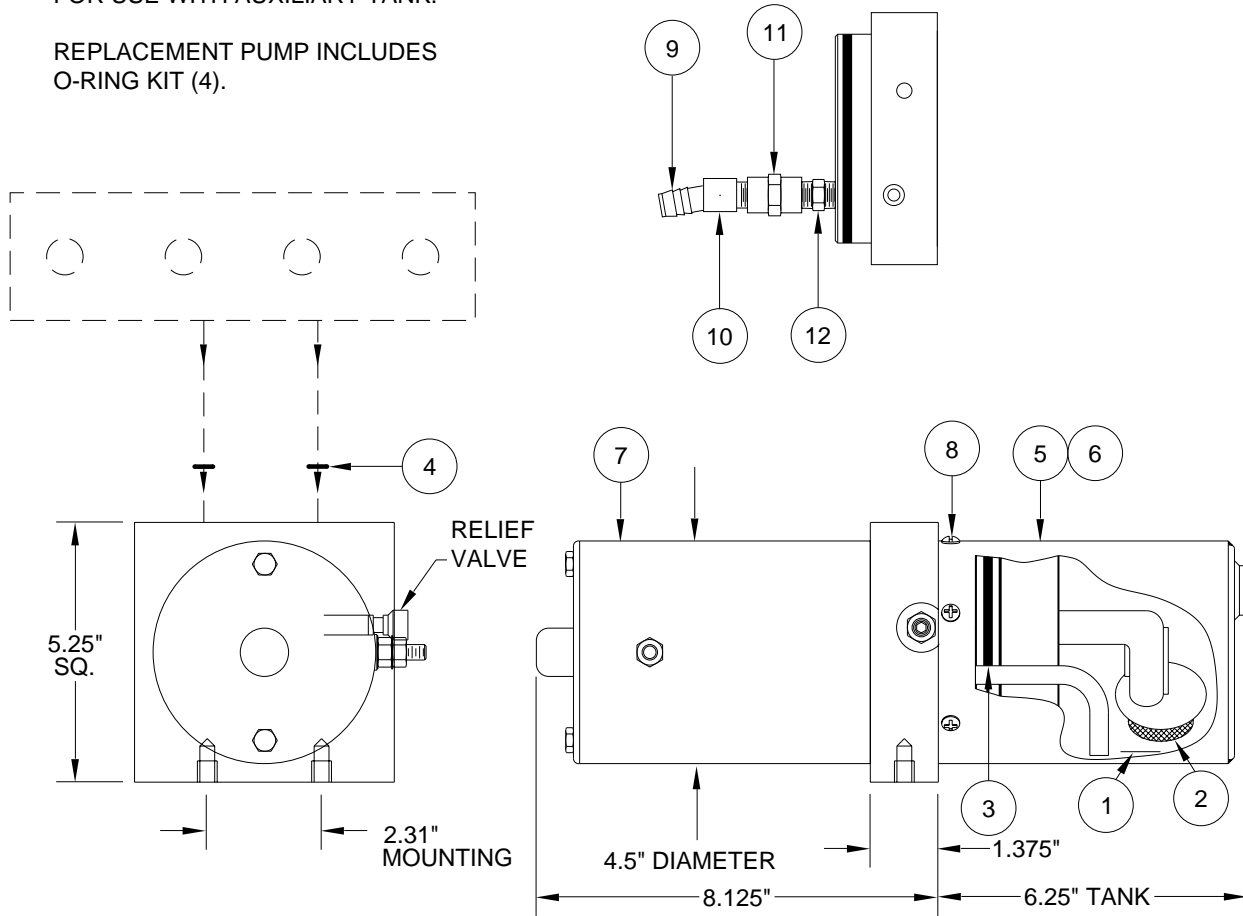


PUMP/MOTOR/TANK ASSEMBLY AP45098 MONARCH - 12 VOLT

PUMP RELIEF IS SET AT 3500 PSI.

FOR USE WITH AUXILIARY TANK.

REPLACEMENT PUMP INCLUDES
O-RING KIT (4).



MONARCH - 12 VOLT .25 GALLON BOTTOM MOUNT SUPPLIED 2009 TO PRESENT

ITEM	PART	QTY	DESCRIPTION	ITEM	PART	QTY	DESCRIPTION
	RAP92785		POWER UNIT/BMM/.35 GALLON 4.5" MOTOR	6	RP92198	1	TANK .25 GAL 6" x 4.5" RD
1	RP3526	1	MAGNET	7	RAP90415	1	MOTOR KIT 4.5" 12 VOLT
2	RP5010	1	STRAINER	8	RAP90678	1	HDWE TANK SCREWS
3	RP5008	1	O-RING TANK	9	RF92598	1	1/4" NPT x 1/2" NYLON ELBOW
4	** R92957	1	O-RING KIT	10	RF3340	1	1/4" BRASS ELBOW
5	RP90421	1	TANK .35 GAL 8" x 4.5" RD	11	RF5599	1	1/4" NPT COUPLING
				12	RF6011	1	1/4" NPT NIPPLE

**R92957 O-RING KIT INCLUDES (8) O2-015-9N
O-RINGS FOR 11/16" SPOT FACE ON MANIFOLD

**MR30.3379
11FEB13**