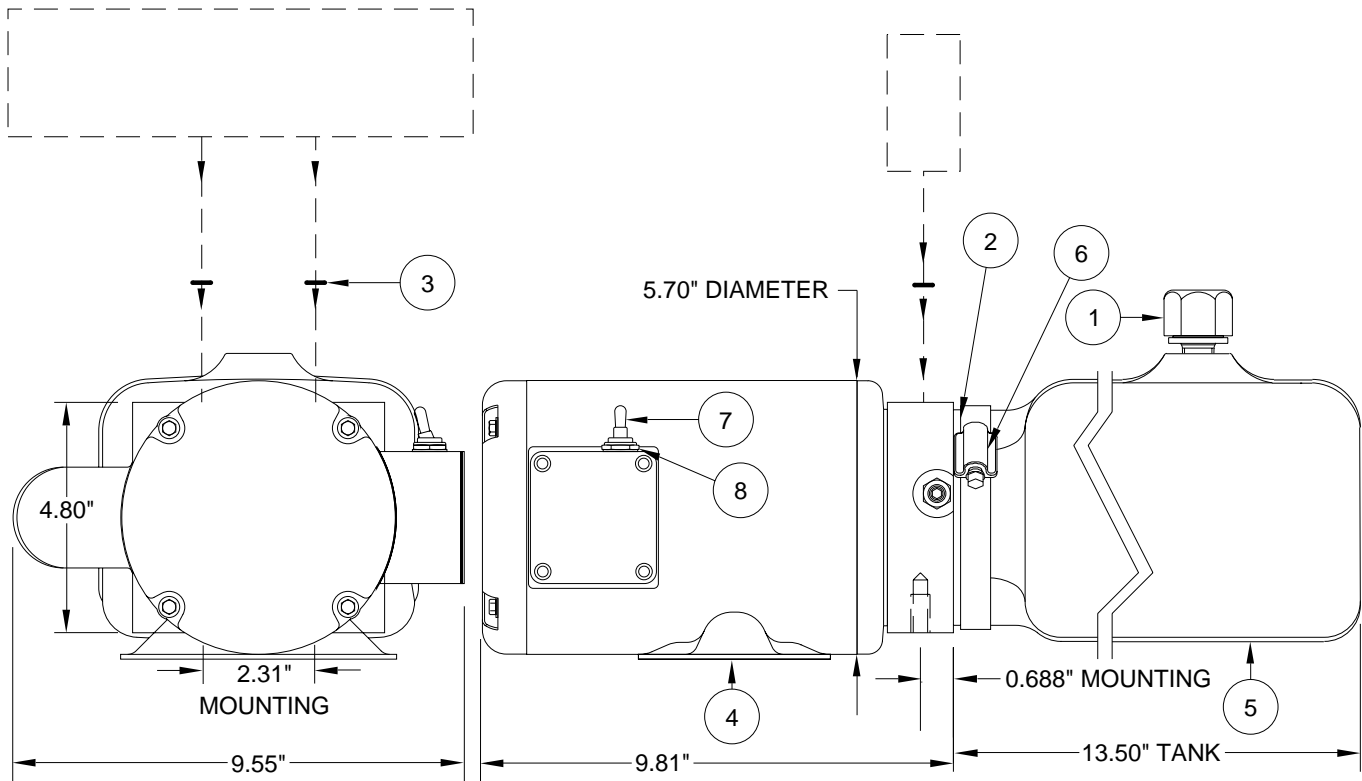


PUMP/MOTOR/TANK ASSEMBLY

AP43203 MONARCH

PUMP RELIEF IS SET AT 3000 PSI.

REPLACEMENT PUMP INCLUDES
O-RING KIT (3)** AND
BREATHER CAP/DIPSTICK (1).



**MONARCH - 115 VOLT
5.70" MOTOR
SUPPLIED 2008 TO PRESENT**

ITEM	PART	QTY	DESCRIPTION	ITEM	PART	QTY	DESCRIPTION
	RAP92583		POWER UNIT/BMM/1.2 GALLON 5.70" MOTOR	4	CONTACT HWH		MOTOR KIT 5.70"
1	RAP7876	1	BREATHER CAP/ DIPSTICK	5	RP92197	1	TANK 1.2 GALLON 13.50" X 5.46" X 6.66"
2	RP5008	1	O-RING TANK	6	RP92195	1	TANK BAND CLAMP 4.50"
3	**R92957	1	O-RING KIT	7	RAP92597	1	SWITCH MOM ON
				8	RP92458	1	TOGGLE SW. BOOT.

**R92957 O-RING KIT INCLUDES (8) O2-015-9N O-RINGS FOR 11/16" SPOT FACE ON MANIFOLD