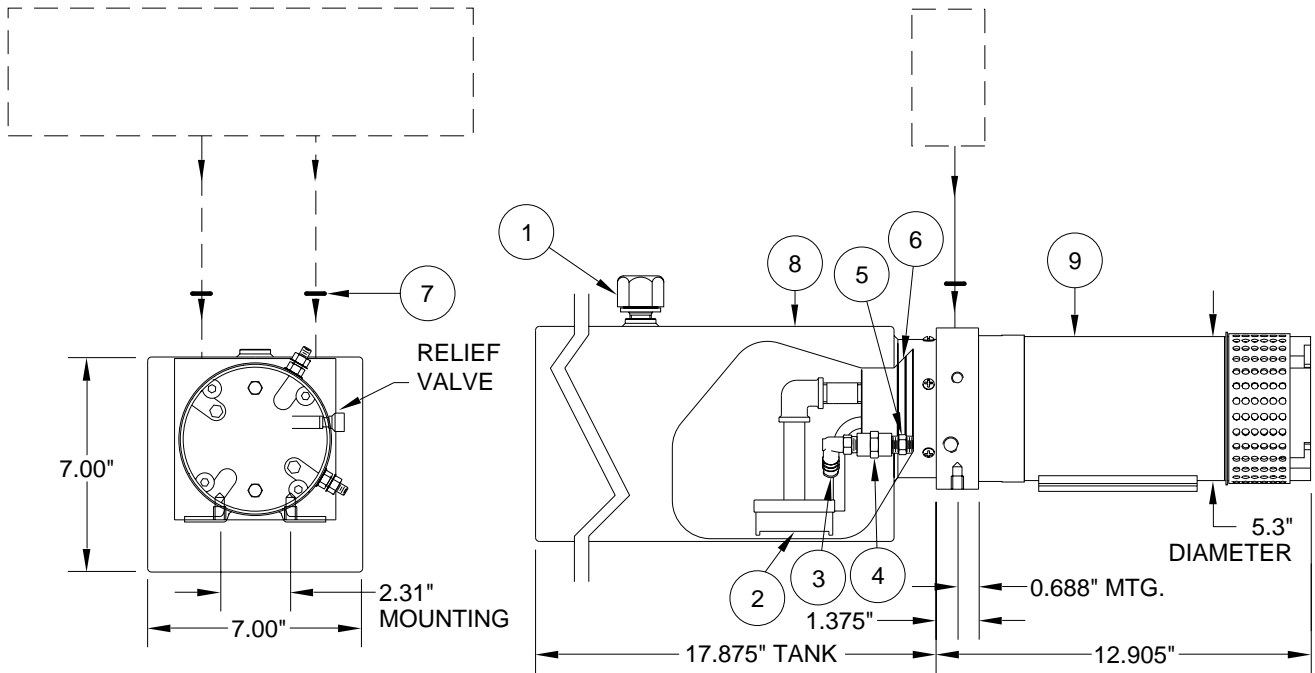


PUMP/MOTOR/TANK ASSEMBLY AP49003 MONARCH - 24 VOLT

PUMP RELIEF IS SET AT 2500 PSI.

REPLACEMENT PUMP INCLUDES
O-RING KIT (5) AND
BREATHER CAP/DIPSTICK (1).



MONARCH - 24 VOLT 3.5 GALLON BOTTOM MOUNT SUPPLIED 2011 TO PRESENT

ITEM	PART	QTY	DESCRIPTION	ITEM	PART	QTY	DESCRIPTION
	RAP93091		PUMP-MOTOR-TANK/ BMM/3.5 GAL. 5.3" MOTOR	5	RF6011	1	1/4" NPT NIPPLE
1	RAP7876	1	BREATHER CAP/ DIPSTICK	6	RP5008	1	O-RING TANK
2	RP90417	1	STRAINER	7	RAP93176	1	O-RING KIT MANIF MTG
3	RF92598	1	1/4" NPT x 1/2" NYLON ELBOW	8	RP90418	1	TANK 3.5 GAL. 17.875" X 7.00" X 7.00" RECT.
4	RF5599	1	1/4" NPT COUPLING	9	RAP93090	1	MOTOR 5.3" 24 VOLT