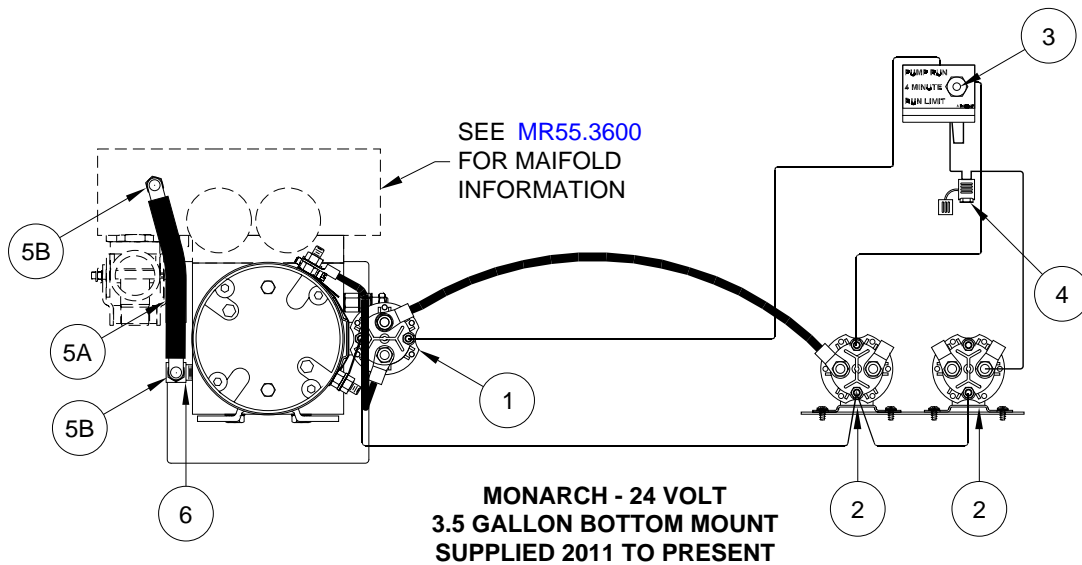
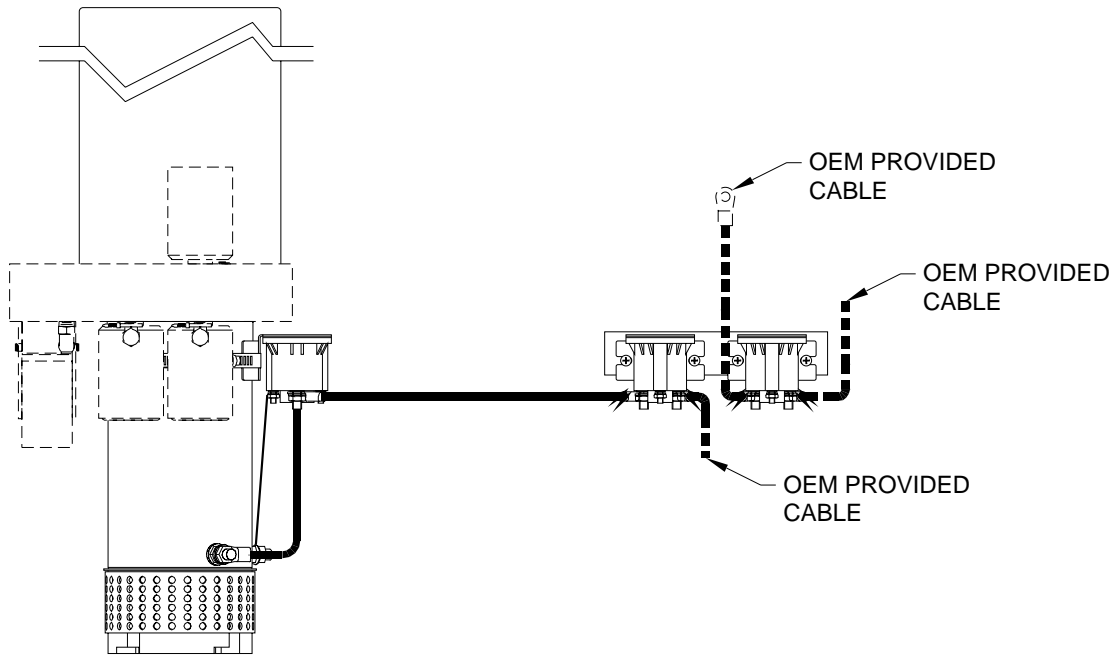


# POWER UNIT ASSEMBLY AP47717 MONARCH - 24 VOLT

PUMP RELIEF IS SET AT 2500 PSI.



ITEM	PART	QTY	DESCRIPTION	ITEM	PART	QTY	DESCRIPTION
	RAP93220		POWER UNIT WITH RELAYS AND FITTINGS DOES NOT INCLUDE MANIFOLD	4	R90288	1	15 AMP FUSE (5 FUSES PER R90288)
1	RAP35723	1	PUMP RELAY	5	RAP93222	1	HOSE AND FITTING KIT
2	RAP38933	1	MASTER RELAY	5A		1	1/2 INCH ID HOSE
3	RAP93221	1	TOGGLE SWITCH	5B	RF92598	2	1/2" BARBED X 1/4" NPT ELBOW
				6	RF3340	1	2202-4-4 ELBOW (BRASS)

NOTE: INDENTED ITEMS INCLUDED WITH PRECEDING ITEM.

**MR30.3551  
28JAN15**