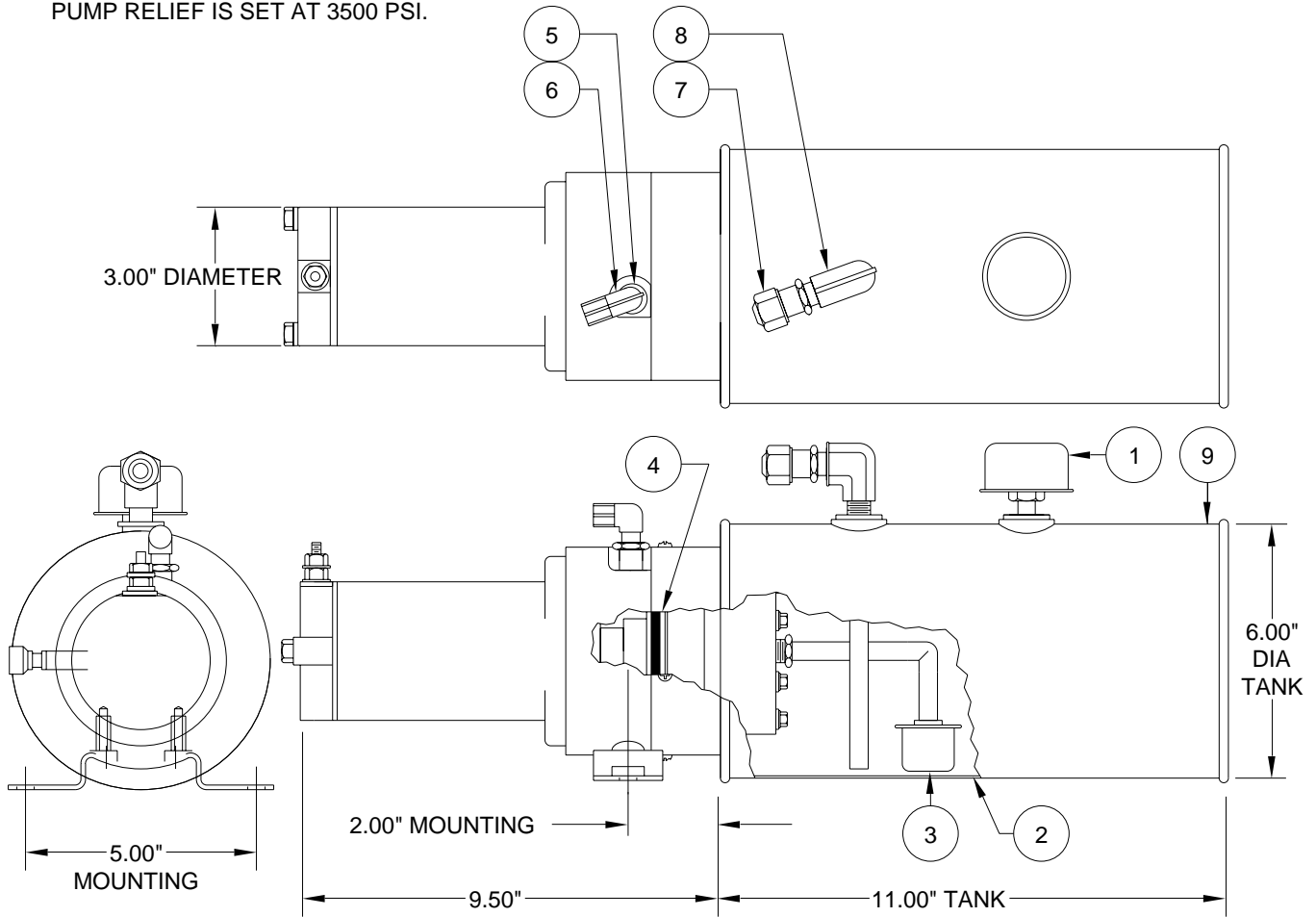


PUMP/MOTOR/TANK ASSEMBLY AP0630 MONARCH - OBSOLETE

PUMP RELIEF IS SET AT 3500 PSI.



**MONARCH
1.2 GALLON BOTTOM MOUNT
SUPPLIED 1993 TO 1995**

ITEM	PART	QTY	DESCRIPTION	ITEM	PART	QTY	DESCRIPTION
	AP0630	OBS	POWER UNIT BMM/1.2 GALLON LESS SOLENOID	5	RF2912	1	REDUCER 3/8" x 1/4"
1	RAP7876	1	BREATHER CAP/ DIPSTICK	6	RF1514	1	ELBOW 1/4" X 1/4"
2	RP3526	1	MAGNET	7	RF4970	1	MALE CONNECTOR 1/2" X 3/8"
3	RP5010	1	STRAINER	8	RP5011	1	ELBOW SPEC.
4	RP5008	1	O-RING TANK	9	RP5007	1	TANK 1.2 GALLON