

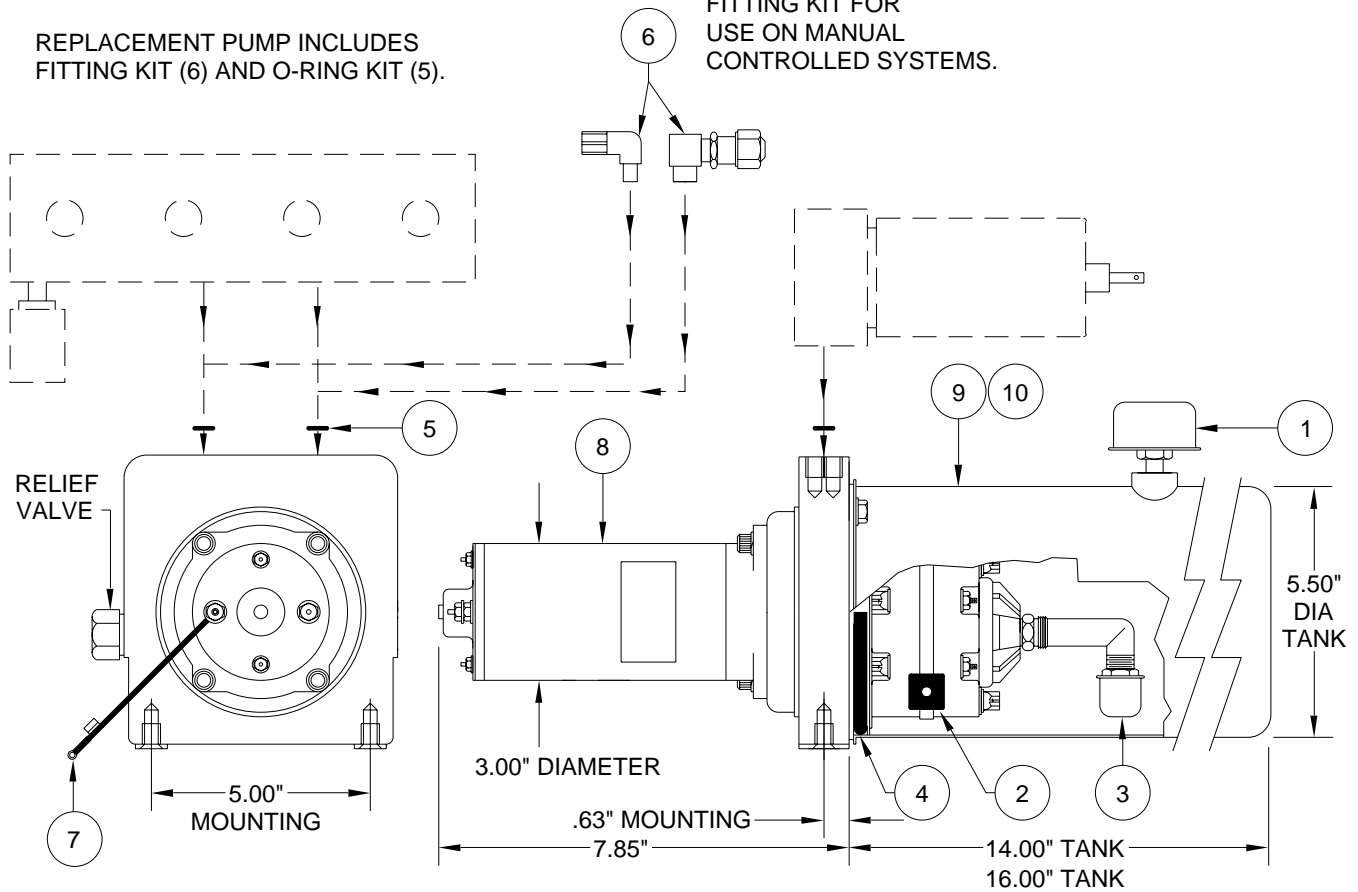
PUMP/MOTOR/TANK ASSEMBLY

AP0002/AP0071 FENNER STONE - OBSOLETE

PUMP RELIEF IS SET AT 3500 PSI.

REPLACEMENT PUMP INCLUDES FITTING KIT (6) AND O-RING KIT (5).

FITTING KIT FOR USE ON MANUAL CONTROLLED SYSTEMS.



**FENNER STONE
3.00" MOTOR
SUPPLIED 1992 TO 1995**

ITEM	PART	QTY	DESCRIPTION	ITEM	PART	QTY	DESCRIPTION
	AP0002	OBS	POWER UNIT/ BMS/1.0 GALLON 3" MOTOR	5	** RAP9171	1	SEAL KIT
	AP0071	OBS	POWER UNIT/ BMS/1.5 GALLON 3" MOTOR	6	RAP0586	1	FITTING KIT (INCLUDES ITEM 5)
1	RAP7876	1	BREATHER CAP/ DIPSTICK	7	RAP0830	1	GROUND CABLE
2	RP3526	1	MAGNET	8	OBS	1	MOTOR 800w 3" STONE #4042
3	RP3525	1	STRAINER	9	RP4132	1	TANK 1.0 GALLON 14" X 5.5" ROUND
4	RP3515	1	O-RING TANK	10	RP3521	1	TANK 1.5 GALLON 16" X 5.5" ROUND

NOTE : THIS POWER UNIT IS NO LONGER AVAILABLE. SOME PARTS FOR REBUILDING THESE PUMPS MAY BE AVAILABLE. SEE THE REPLACEMENT INFORMATION PAGE FOR REPLACEMENT PUMP.

**RAP9171 O-RING KIT INCLUDES (2) O2-014-9N O-RINGS FOR THE 5/8" SPOT FACE AND (2) O2-015-9N O-RINGS FOR THE 11/16" SPOT FACE