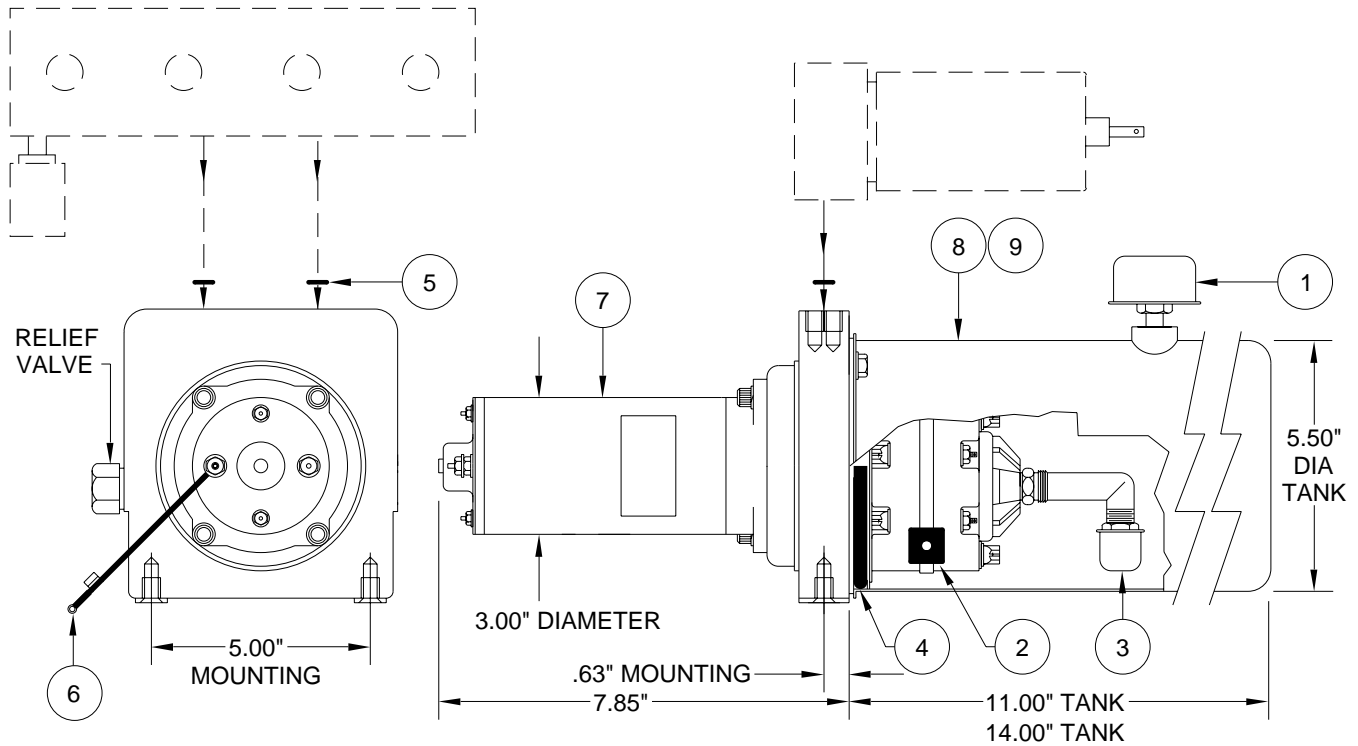


PUMP/MOTOR/TANK ASSEMBLY

AP9202/AP9500 FENNER STONE - OBSOLETE

PUMP RELIEF IS SET AT 3500 PSI.

REPLACEMENT PUMP INCLUDES
FITTING KIT (6) AND O-RING KIT (5).



**FENNER STONE
3.00\"/>**

ITEM	PART	QTY	DESCRIPTION	ITEM	PART	QTY	DESCRIPTION
	AP9202	OBS	POWER UNIT/ BMS/1.0 GALLON 3\"/>				

NOTE : THIS POWER UNIT IS NO LONGER AVAILABLE. SOME PARTS FOR REBUILDING THESE PUMPS MAY BE AVAILABLE. SEE THE REPLACEMENT INFORMATION PAGE FOR REPLACEMENT PUMP.

****RAP9171 O-RING KIT INCLUDES (2) O2-014-9N O-RINGS FOR THE 5/8\"/>**