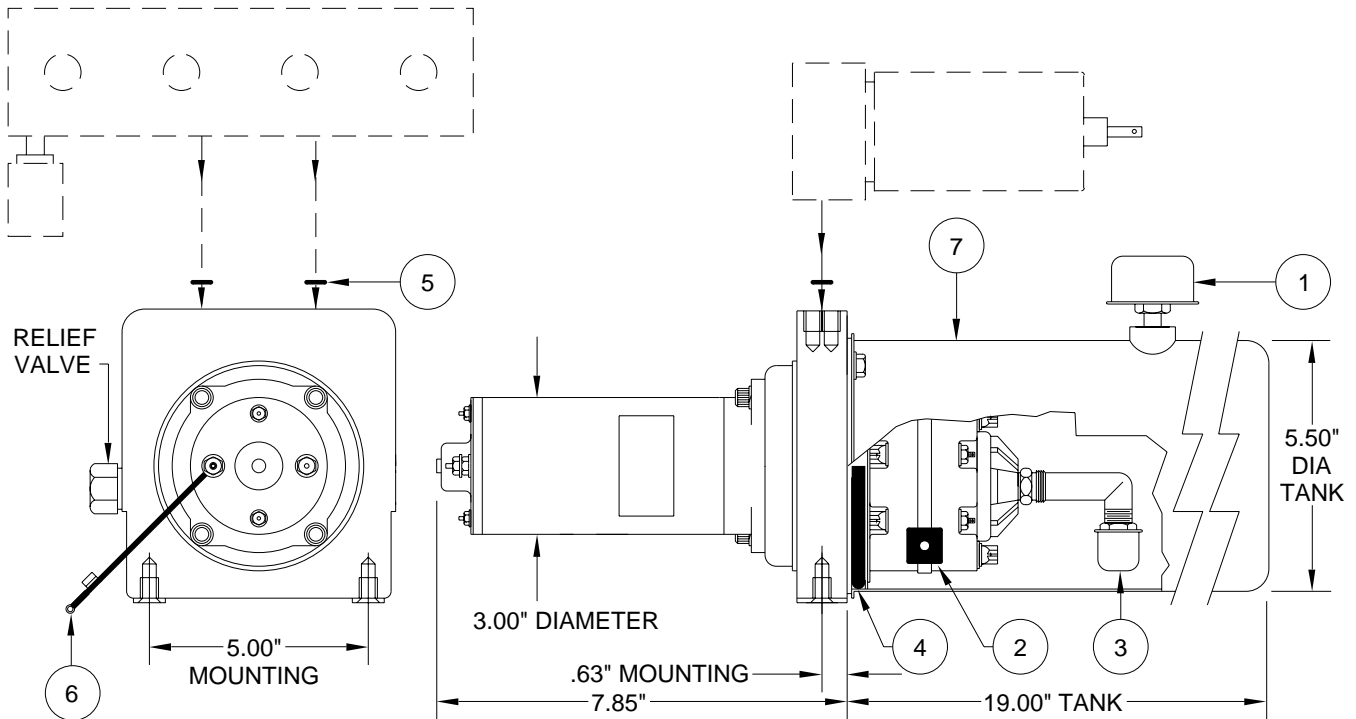


# PUMP/MOTOR/TANK ASSEMBLY AP11107 FENNER STONE - OBSOLETE

PUMP RELIEF IS SET AT 3500 PSI.

REPLACEMENT PUMP INCLUDES  
O-RING KIT (5).



**FENNER STONE  
3.00\"/>**

ITEM	PART	QTY	DESCRIPTION	ITEM	PART	QTY	DESCRIPTION
	AP11107	<b>OBS</b>	POWER UNIT/ BMS/1.5 GALLON 3\"/>				
1	RAP7876	1	BREATHER CAP/ DIPSTICK	5	** RAP9171	1	SEAL KIT
2	RP3526	1	MAGNET	6	RAP0830	1	GROUND CABLE
3	RP3525	1	STRAINER	7	RP3521	1	TANK 1.5 GALLON 16.0\"/>
4	RP3515	1	O-RING TANK				

**NOTE :** THIS POWER UNIT IS NO LONGER AVAILABLE. SOME PARTS FOR REBUILDING THESE PUMPS MAY BE AVAILABLE. SEE THE REPLACEMENT INFORMATION PAGE FOR REPLACEMENT PUMP.

\*\*RAP9171 O-RING KIT INCLUDES (2) O2-014-9N O-RINGS FOR THE 5/8\"/>