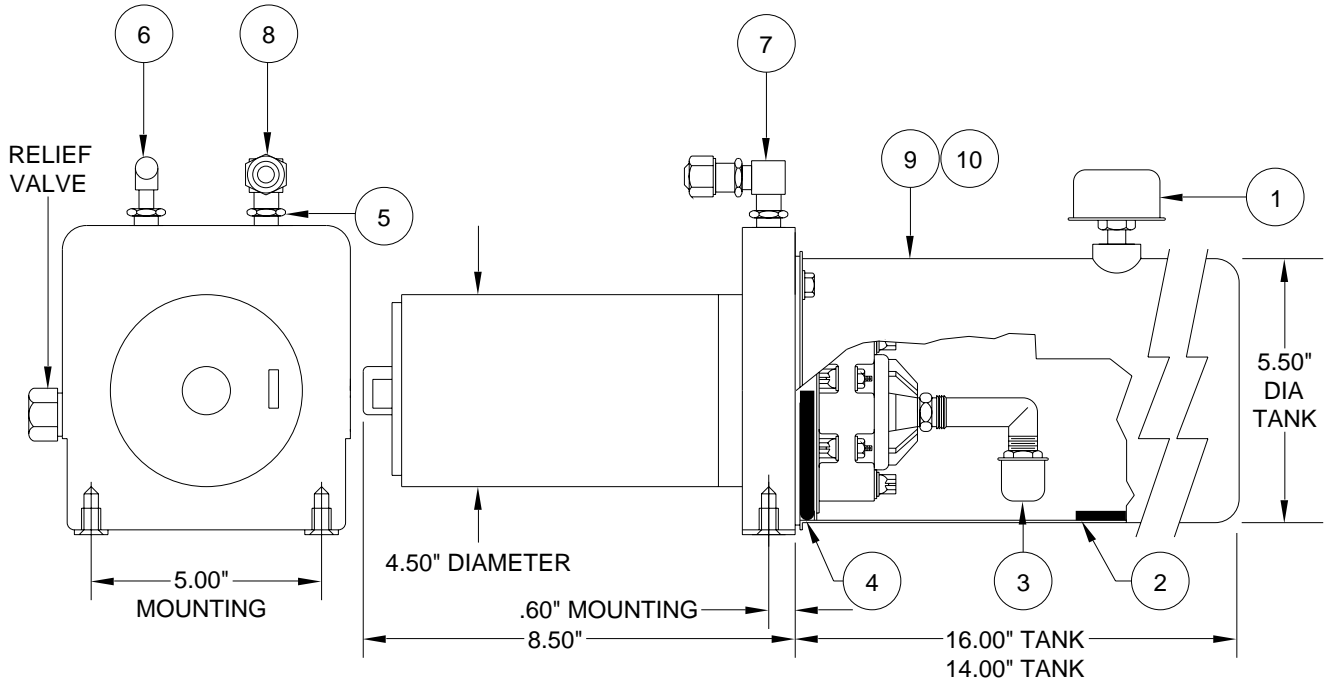


PUMP/MOTOR/TANK ASSEMBLY AP3913/AP4185 FENNER STONE - OBSOLETE

PUMP RELIEF IS SET AT 3500 PSI.



**STONE POWER UNIT
4.50" MOTOR
SUPPLIED 1983 TO 1991**

ITEM	PART	QTY	DESCRIPTION	ITEM	PART	QTY	DESCRIPTION
	AP3913	OBS	POWER UNIT/BMS/1.0 GALLON 4.5" MOTOR	7	RF3340	1	BRASS ELBOW 1/4" X 1/4"
	AP4185	OBS	POWER UNIT/BMS/1.5 GALLON 4.5" MOTOR	8	RF1458	1	MALE CONNECTOR 1/2" X 3/8"
1	RAP7876	1	BREATHER CAP/ DIPSTICK	9	RP4132	1	TANK 1.0 GALLON 14" X 5.5" ROUND
2	RP3526	1	MAGNET	10	RP3521	1	TANK 1.5 GALLON 16" X 5.5" ROUND
3	RP3525	1	STRAINER		R5303		BRACKET KIT ADAPTS BOTTOM MOUNT PUMP TO SIDE MOUNT.
4	RP3515	1	O-RING TANK		R3804		PUMP MTG. ADAPTOR ADAPTS 4.5" TO 5." MTG. HOLES
5	RF2912	2	REDUCER 3/8" X 1/4"				
6	RF1514	1	ELBOW 1/4" X 1/4"				

NOTE : THIS POWER UNIT IS NO LONGER AVAILABLE. SOME PARTS FOR REBUILDING THESE PUMPS MAY BE AVAILABLE. SEE THE REPLACEMENT INFORMATION PAGE FOR REPLACEMENT PUMP.

**MR30.4625
14APR14**