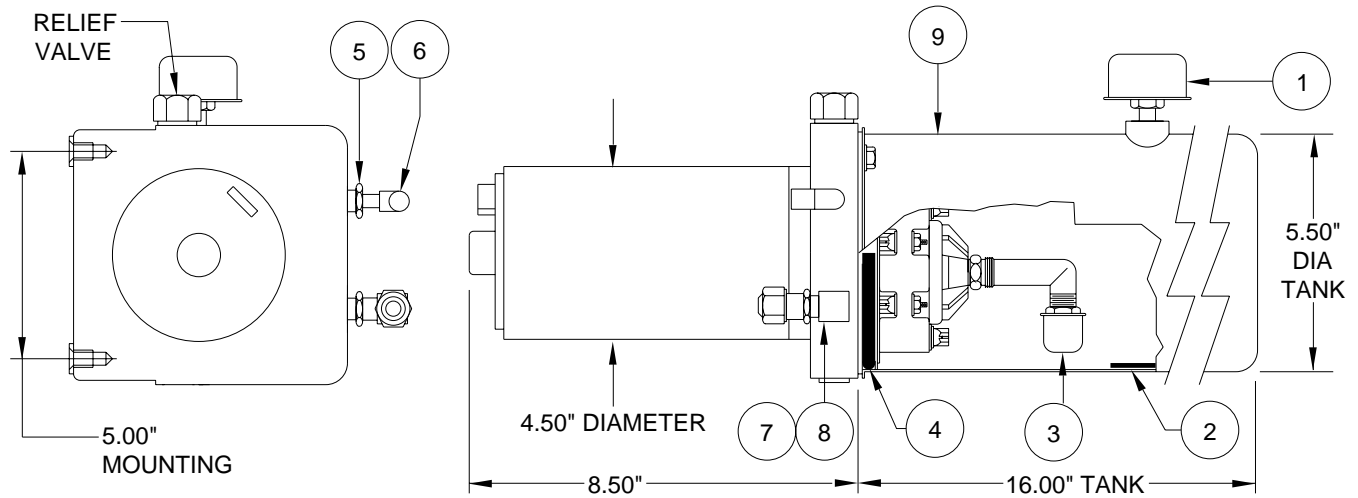


PUMP/MOTOR/TANK ASSEMBLY AP3916 FENNER STONE - OBSOLETE

PUMP RELIEF IS SET AT 3500 PSI.



FENNER STONE 1.5 GALLON SIDE MOUNT SUPPLIED 1982 TO 1993

ITEM	PART	QTY	DESCRIPTION	ITEM	PART	QTY	DESCRIPTION
	AP3916	OBS	POWER UNIT/SMS/1.5 GALLON 4.5" MOTOR	6	RF1514	1	ELBOW 1/4" X 1/4"
1	RAP7876	1	BREATHER CAP/ DIPSTICK	7	RF3340	1	BRASS ELBOW 1/4" X 1/4"
2	RP3526	1	MAGNET	8	RF1458	1	MALE CONNECTOR 1/2" X 1/4"
3	RP3525	1	STRAINER	9	RP3521	1	TANK 1.5 GALLON 16" X 5.5" ROUND
4	RP3515	1	O-RING TANK		R5303		BRACKET KIT ADAPTS SIDE MOUNT PUMP TO BOTTOM MOUNT.
5	RF2912	2	REDUCER 3/8" X 1/4"				

NOTE : THIS POWER UNIT IS NO LONGER AVAILABLE.
SOME PARTS FOR REBUILDING THESE PUMPS
MAY BE AVAILABLE. SEE THE REPLACEMENT
INFORMATION PAGE FOR REPLACEMENT PUMP.

**MR30.4650
14APR14**