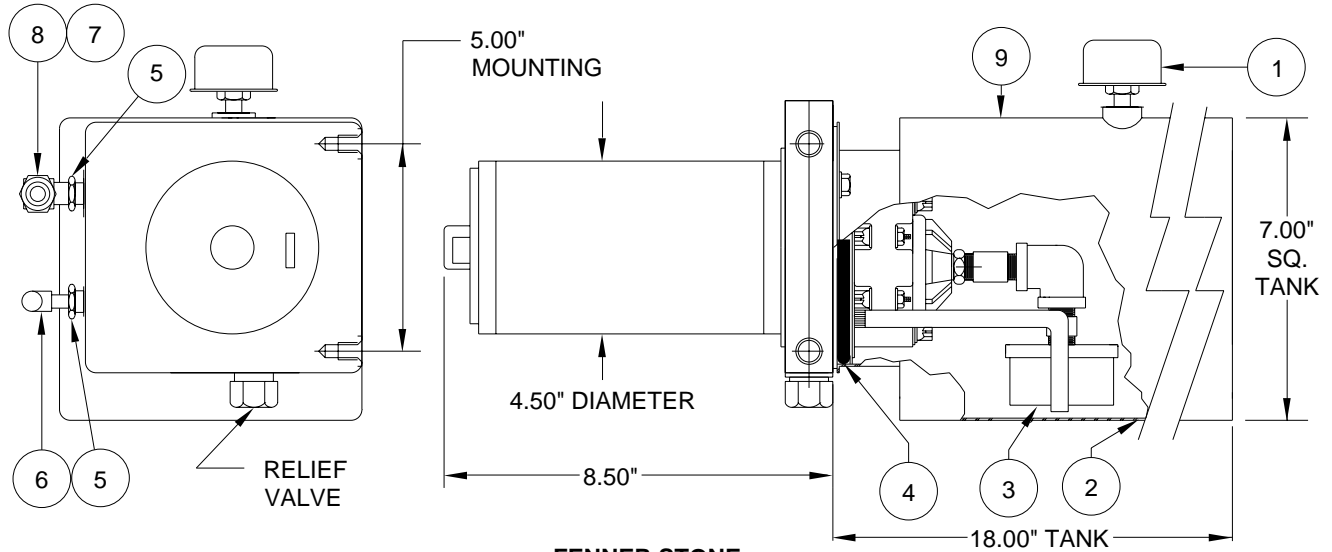


# PUMP/MOTOR/TANK ASSEMBLY AP4702 FENNER STONE - OBSOLETE

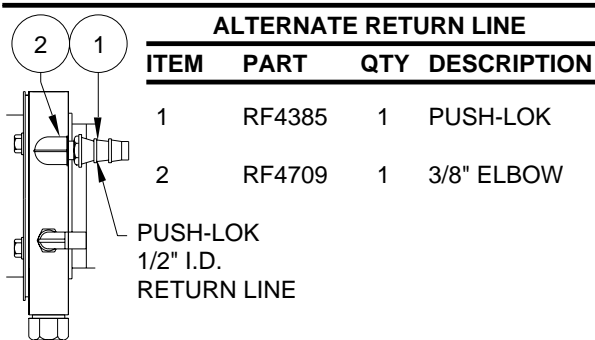
PUMP RELIEF IS SET AT 3500 PSI.



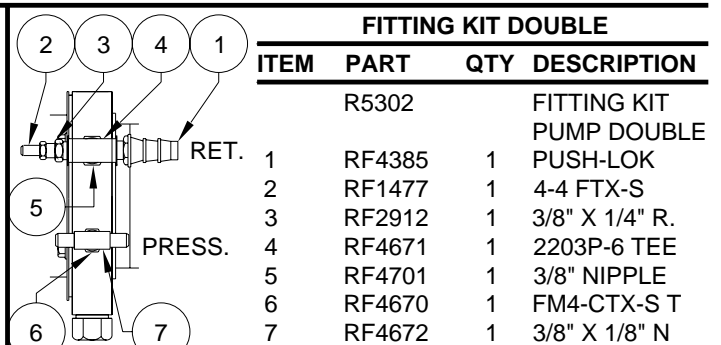
**FENNER STONE  
3.5 GALLON SIDE MOUNT  
SUPPLIED 1987 TO 1997**

ITEM	PART	QTY	DESCRIPTION	ITEM	PART	QTY	DESCRIPTION
	AP4702	<b>OBS</b>	POWER UNIT/SMS/3.5 GALLON 4.5" MOTOR	5	RF2912	2	REDUCER 3/8" X 1/4"
1	RAP7876	1	BREATHER CAP/ DIPSTICK	6	RF1514	1	ELBOW 1/4" X 1/4"
2	RP3526	1	MAGNET	7	RF3340	1	BRASS ELBOW 1/4" X 1/4"
3	RP5292	1	STRAINER/SHROUD	8	RF1458	1	MALE CONNECTOR 1/2" X 1/4"
4	RP3515	1	O-RING TANK	9	RP4659	1	TANK 3.5 GALLON 18" X 7.0" SQUARE

SEE "ALTERNATE RETURN FITTINGS" BELOW FOR BLUE BIRD COACHES.



USED ON SOME BLUE BIRD COACHES  
BEGINING IN 1987



CONVERTS PUMP TO (2) PRESS. AND (2) RETURN LINES.  
USED ON BLUE BIRD PUSHERS W/HYD. GENERATOR  
SLIDE OUT.

**NOTE :** THIS POWER UNIT IS NO LONGER AVAILABLE.  
SOME PARTS FOR REBUILDING THESE PUMPS  
MAY BE AVAILABLE. SEE THE REPLACEMENT  
INFORMATION PAGE FOR REPLACEMENT PUMP.