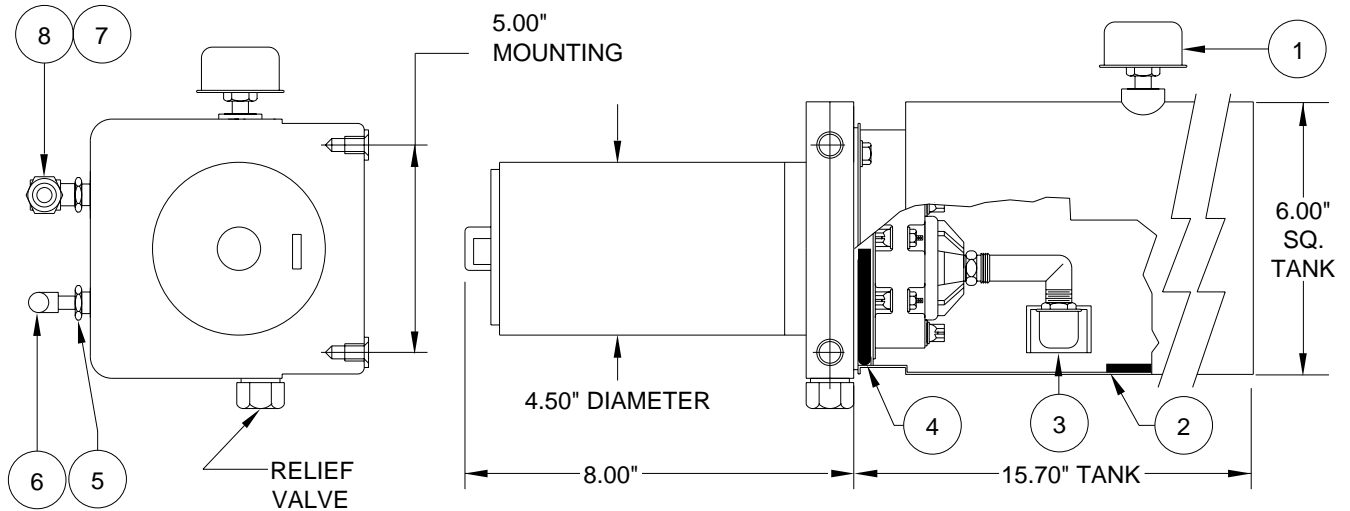


# PUMP/MOTOR/TANK ASSEMBLY AP3910 FENNER STONE - OBSOLETE

PUMP RELIEF IS SET AT 3500 PSI.



### FENNER STONE 2.0 GALLON SIDE MOUNT SUPPLIED 1987 TO 1992

ITEM	PART	QTY	DESCRIPTION	ITEM	PART	QTY	DESCRIPTION
	AP3910	<b>OBS</b>	POWER UNIT/SMS/2.0 GALLON 4.5" MOTOR	5	RF2912	2	REDUCER 3/8" X 1/4"
1	RAP7876	1	BREATHER CAP/ DIPSTICK	6	RF1514	1	ELBOW 1/4" X 1/4"
2	RP3526	1	MAGNET	7	RF3340	1	BRASS ELBOW 1/4" X 1/4"
3	RP5292	1	STRAINER/SHROUD	8	RF1548	1	MALE CONNECTOR 1/2" X 1/4"
4	RP3515	1	O-RING TANK				

**NOTE :** THIS POWER UNIT IS NO LONGER AVAILABLE. SOME PARTS FOR REBUILDING THESE PUMPS MAY BE AVAILABLE. SEE THE REPLACEMENT INFORMATION PAGE FOR REPLACEMENT PUMP.