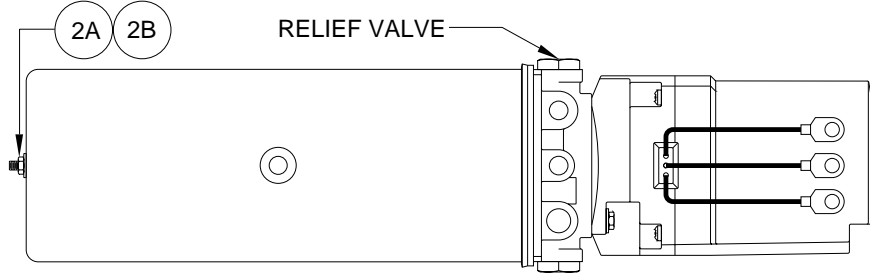
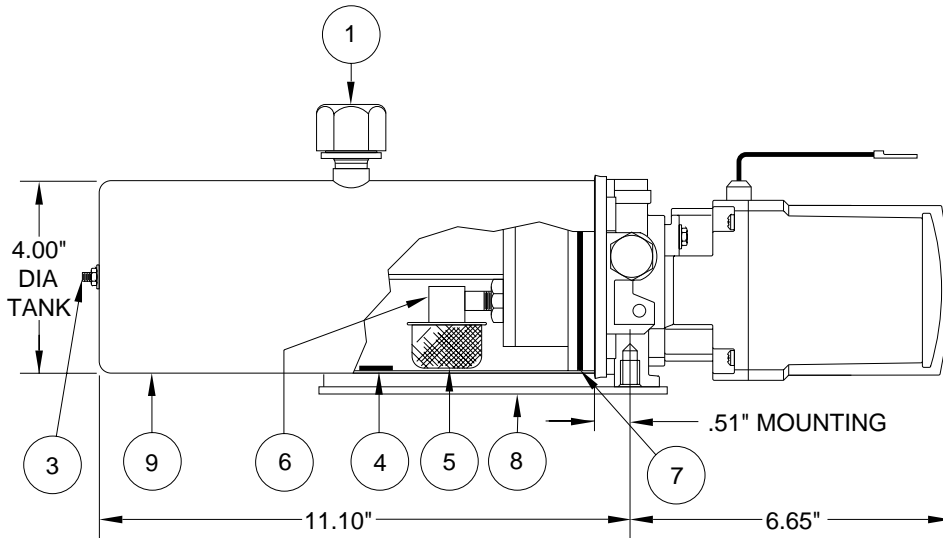


PUMP/MOTOR/TANK ASSEMBLY AP11106 PARKER/OILDYNE BI-DIRECTIONAL

PUMP RELIEF IS SET AT 3000 PSI.



THIS IS A BI-DIRECTIONAL PUMP. NOTE THE THREE WIRES FOR THE MOTOR INSTEAD OF TWO. THIS PUMP CAN NOT BE USED AS A REPLACEMENT FOR ANY OTHER PUMP.



**OILDYNE
0.57 GALLON BI-DIRECTIONAL
SUPPLIED 1995 TO PRESENT**

ITEM	PART	QTY	DESCRIPTION	ITEM	PART	QTY	DESCRIPTION
	RAP90090		POWER UNIT/BMO/0.57 BI-DIRECTIONAL PUMP	5	RP7532	1	STRAINER
1	RAP7876	1	BREATHER CAP/ DIPSTICK	6	RP7498	1	ELBOW
2	RAP7496	1	TANK MTG. KIT	7	RP7499	1	O-RING TANK
2A		1	HEX NUT	8	RP7533	1	TANK SUPPORT
2B		1	WASHER/SEAL	9	RAP7495	1	TANK 0.57 GALLON 10.5" X 4.0" ROUND
3	RP7497	1	TANK MTG. ROD				
4	RP3526	1	MAGNET				