

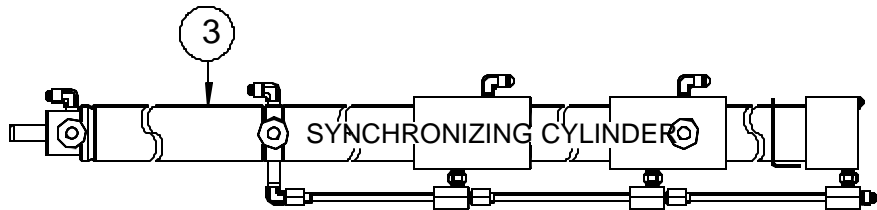
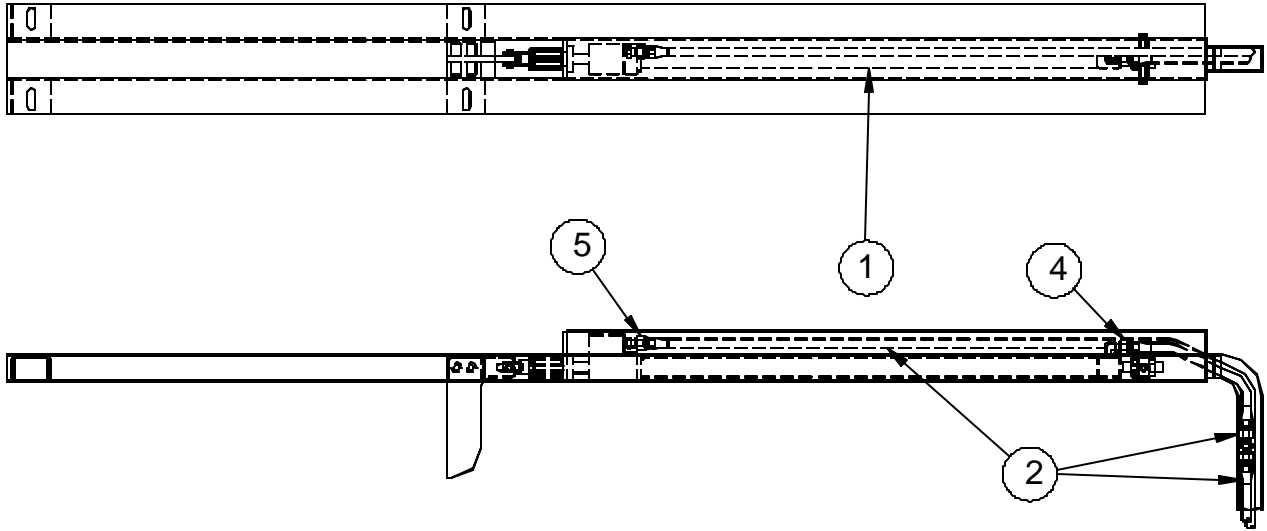
# HWH SPACEMAKER SLIDE-OUT MECHANISM

**"IN-CEILING" MECHANISM** *with*  
 FIVE-CYLINDERS | SYNCHRONIZING CYLINDER  
(File: MR41.1201.DOC | Revised: 17MAY17)

> [PrintFriendly PDF File](#)

The diagrams below represent the **BASE MODEL SLIDE-OUT MECHANISM** as described above.  
 The information on this page is similar in all adaptations of the base model.

\* Slide-out parts that have been adapted to OEM specifications can be found in the  
**OEM-Specific Parts Guide** > [MR40.HTML](#) .



NOTE: SYNCHRONIZING CYLINDER IS MOUNTED SEPARATE FROM THE ROOM EXTENSION TUBES.

ITEM	ORDER#	QTY	DESCRIPTION
1*		1	CYLINDER ASSY
2*		1	HOSE ASSEMBLIES
3*		1	SYNCHRONIZING CYL

ITEM	ORDER#	QTY	DESCRIPTION
4	RF1453	1	1/4" ELBOW 90 DEG.
5	RF1456	1	1/4" MALE CONNECTOR

**NOTE:** INDENTED ITEMS INCLUDED WITH PRECEDING ITEM.