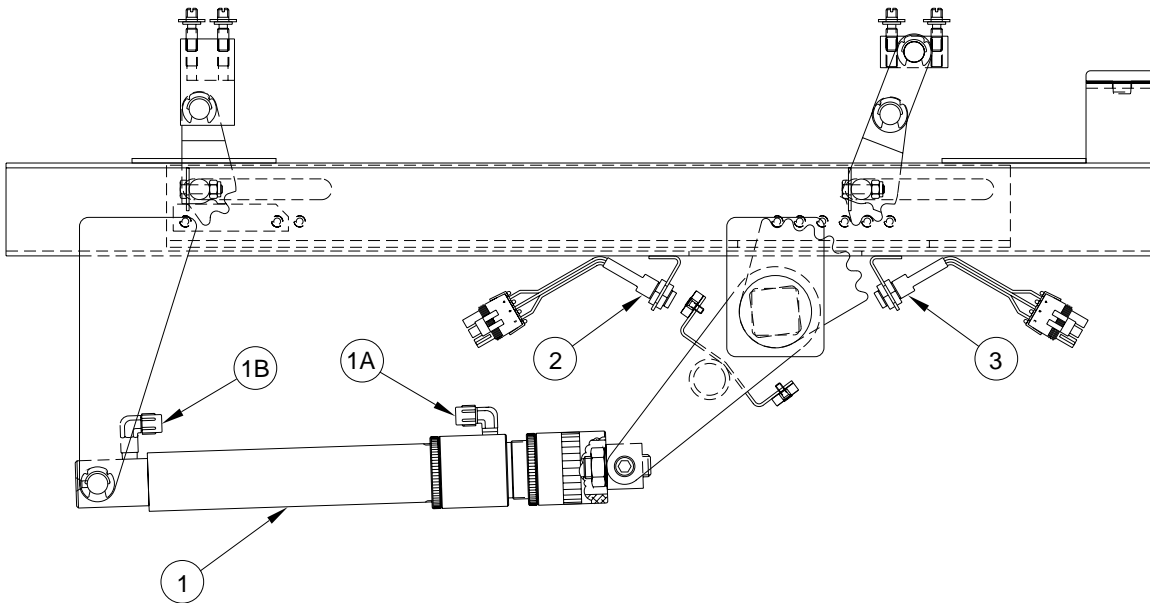
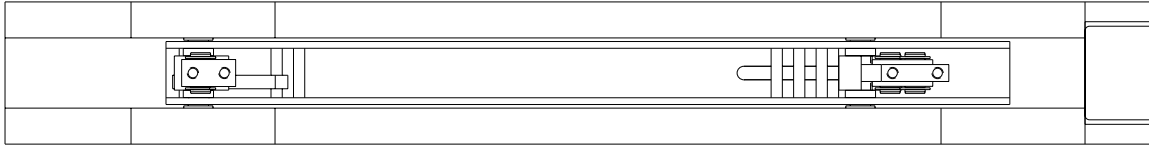


SUBFLOOR LIFT ASSEMBLY WITH LIMIT SWITCHES



ITEM	PART	QTY	DESCRIPTION	ITEM	PART	QTY	DESCRIPTION
1*		1	CYLINDER ASSEMBLY	2	RAP90693	1	FLOOR UP LIMIT SW.
1A	RF1453	1	4 CTX-S 90D ELBOW	3	RAP90693	1	FLOOR DOWN LIMIT SW.
1B	RF1511	1	4 CCTX-S 90D LG. ELBOW				

*REFER TO SPECIFIC MANUFACTURER'S GUIDE PAGE
IN THIS SECTION FOR CORRECT CYLINDER
REPLACEMENT PART NUMBERS.

NOTE: INDENTED ITEMS INCLUDED WITH PRECEDING ITEM.

**MR41.3950
15APR14**