

HWH SPACEMAKER SLIDE-OUT FLOOR-LIFT SYSTEM

Slide-Out Platform Lift

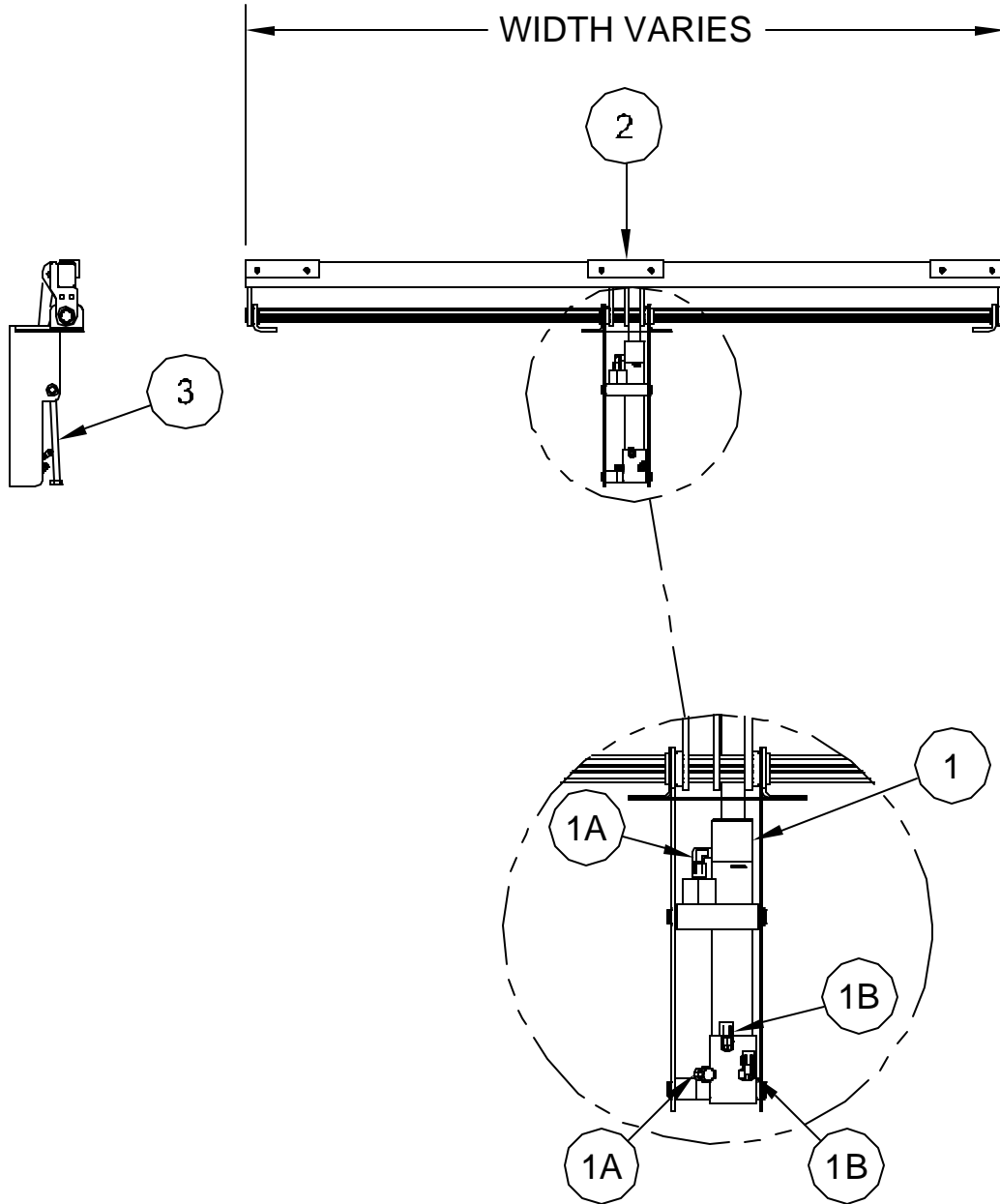
One-Cylinder Configuration

(File: MR41.4000.DOC | Revised: 22MAY17)

> [PrintFriendly PDF File](#)

The diagrams below represent the **TYPICAL PLATFORM LIFT ASSEMBLY** as described above.
The information on this page is similar in all adaptations of the base model.

* Slide-out parts that have been adapted to OEM specifications can be found in the **OEM-Specific Parts Guide** > [MR40.HTML](#) .



ITEM	ORDER#	QTY	DESCRIPTION
1	RAP93139	1	CYLINDER ASSY VLV SEQ 4.8" (AP44387)
1A	RF1453	2	4-CTX-S 90D ELBOW
1B	RF5996	2	4-VTX-S 45D ELBOW

ITEM	ORDER#	QTY	DESCRIPTION
2	RAP93210	1	ANGLE BEARING PAD KIT
2A		1	BEARING PAD
2B		4	3/16" RIVETS
3	RAP93507	1	MANUAL RETRACT SCREW

NOTE: Indented items included with preceding item.