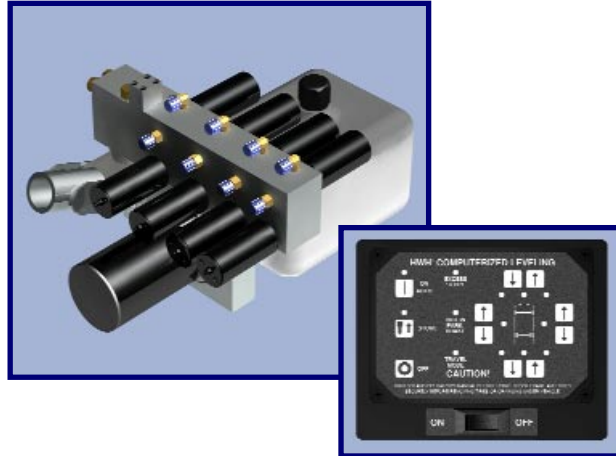


HWH® Hand/Electric Pump with Computerized Automatic Leveling Control and Manual Back-up

Available for Fifth Wheel, Horse & Specialty Trailers



Includes the following features...

- **HWH® Computerized Automatic Leveling**

Quick and easy leveling - no guesswork

One button gives you complete leveling sequence

Computer selects the most efficient way to level your 5th Wheel

Manual operation allows for easy operation of landing gear for hitching and unhitching

- **HWH® Integrated Manual Hand Pump**

Manual hand pump extends and retracts HWH® jacks or rooms with minimal effort. No electrical power is required - the perfect back-up in the event of a dead battery.

Switching from electric pump to manual pump is simple

The control valve is equipped with a manual two-stage hand pump which automatically shifts from high volume with low pressure to low volume with high pressure. This provides a rapid extend of the landing gear, but also gives you the power to lift a sizeable load.

The base of the hand pump swivels 180 degrees to allow more flexibility in mounting the controls.

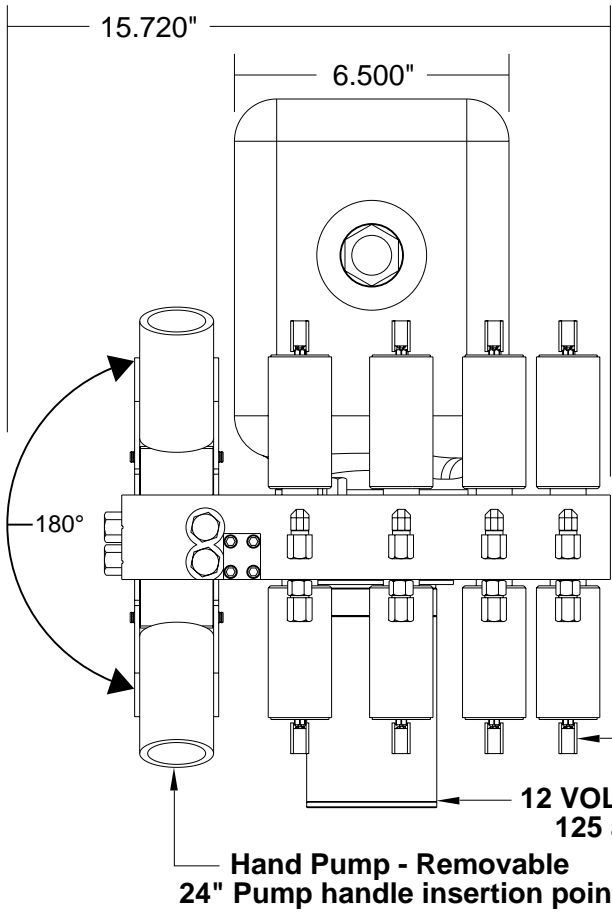


(On I-80, Exit 267 South) | 2096 Moscow Road | Moscow, Iowa 52760
Phone: (800)321-3494 or (563)724-3396 | Fax: (563)724-3408 | Web: www.HWH.com
Made in the USA

STRONG, RELIABLE, HYDRAULIC POWER

Specifications & Features

The HWH®: Power Unit with Solenoids and Manual Back-up



Up to four pairs of solenoid valves will operate up to four one way jacks, four two way jacks or four room extensions or a combination there of.

Each solenoid valve is equipped with a manual release to be used during hand pump operations.

Specifications...

WEIGHT (lbs.)

Each Assembly	32
---------------	----

TANK LENGTH - OIL DELIVERY (Cubic inches)

10.0" Tank - 165 cu in

13.5" Tank - 250 cu in

19.0" Tank - 360 cu in

