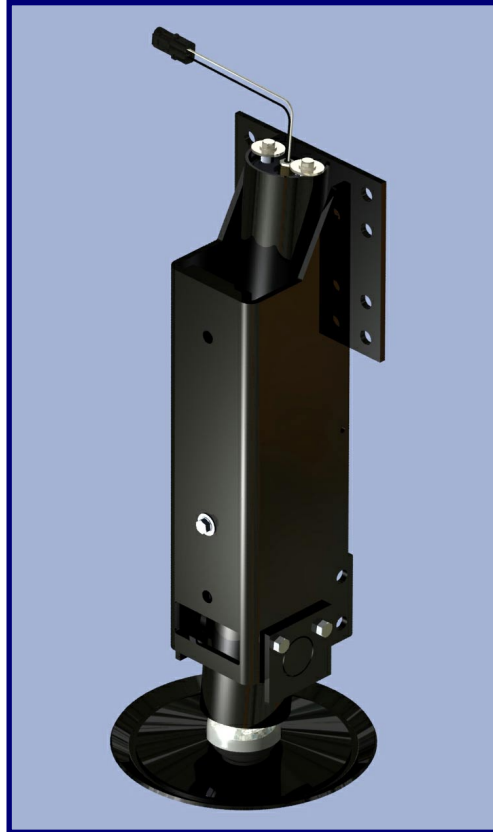


HWH® Straight-Acting/Pivoting, Power-Extend/Power-Retract Jack **12,000 lb. Lift Capacity each Jack**



Picture represents a single version of stated jacks and is not actual to all applications.

Includes the following features...

- Strong, hydraulic power-extend/power-retract jacks with 13" and 16" strokes available and a jack lifting capacity of 12,000 pounds per jack.
- Outward jack pivoting action allows coach sides to be lifted with minimal sliding of the jack foot and braces the trailer for maximum stability.
- Large pivoting ball & socket jack foot connection reduces bending stresses to rods and maximizes foot-to-ground contact and stability.
- State-of-the-art corrosion protected hydraulic cylinders designed for long life.

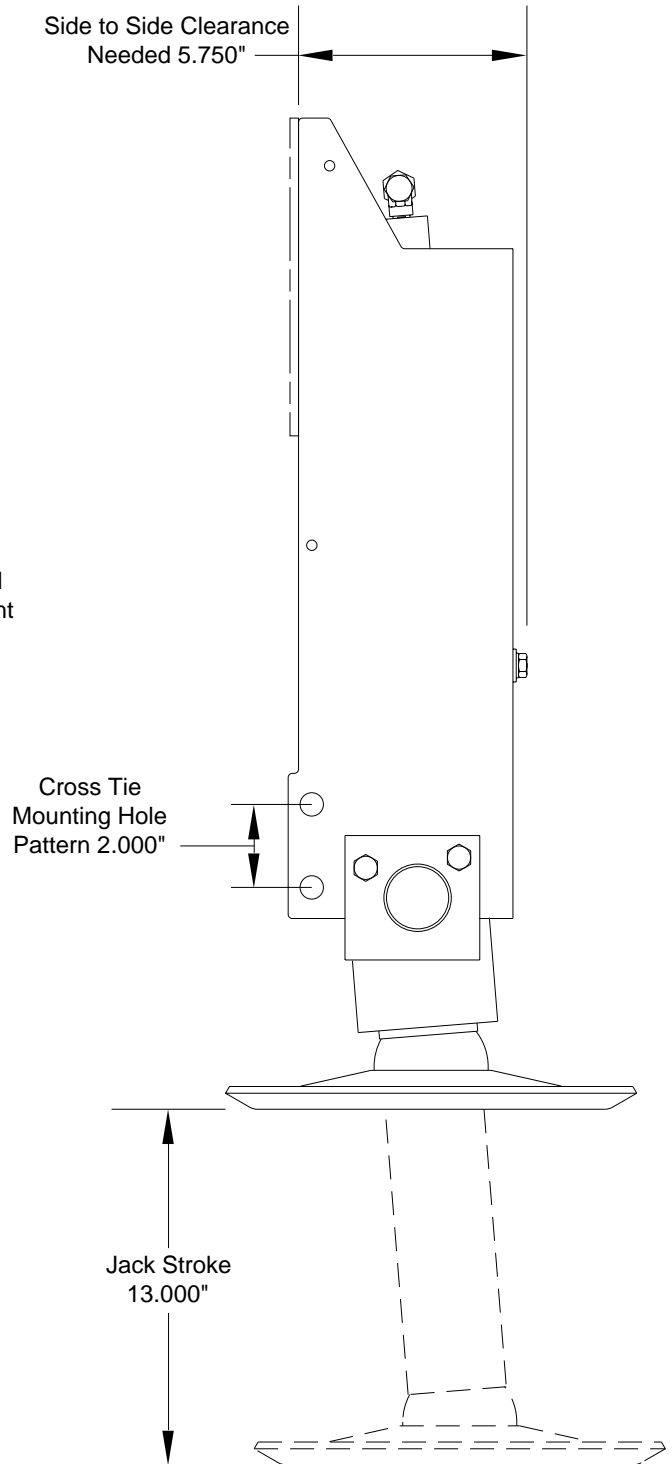
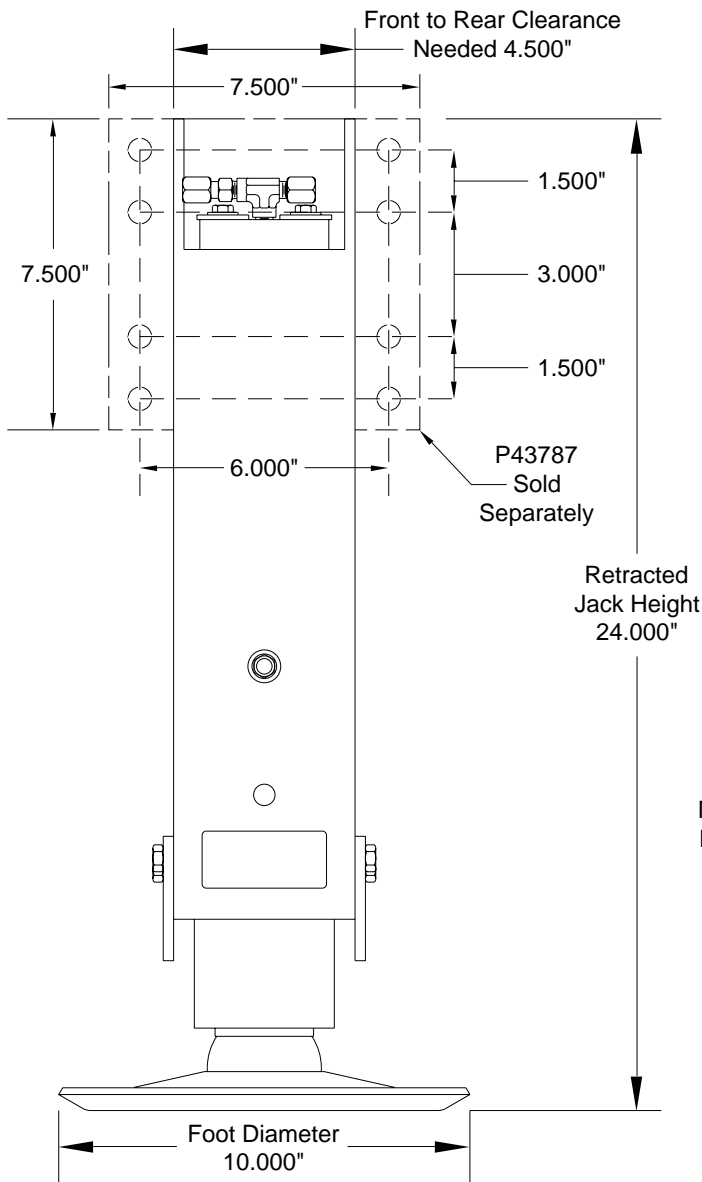


(On I-80, Exit 267 South) | 2096 Moscow Road | Moscow, Iowa 52760
Phone: (800)321-3494 or (563)724-3396 | Fax: (563)724-3408 | Web: www.HWH.com
Made in the USA

STRONG, RELIABLE, HYDRAULIC POWER

Specifications & Features

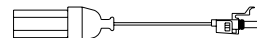
HWH®: Straight-Acting/Pivoting, Power-Extend/Power-Retract Jack AP44828 - 12,000 lb. Lift Capacity each Jack with a 13" Stroke



Specifications...

| | |
|--|--------|
| Pressure Switch - OPTIONAL * | |
| Cross Tie - NEEDED * See ML44877B | |
| Bolt To Frame Brackets - OPTIONAL * | |
| WEIGHTS (lbs.) | |
| Each Jack Assembly | XX |
| LOAD PER JACK (lbs.) | 12,000 |

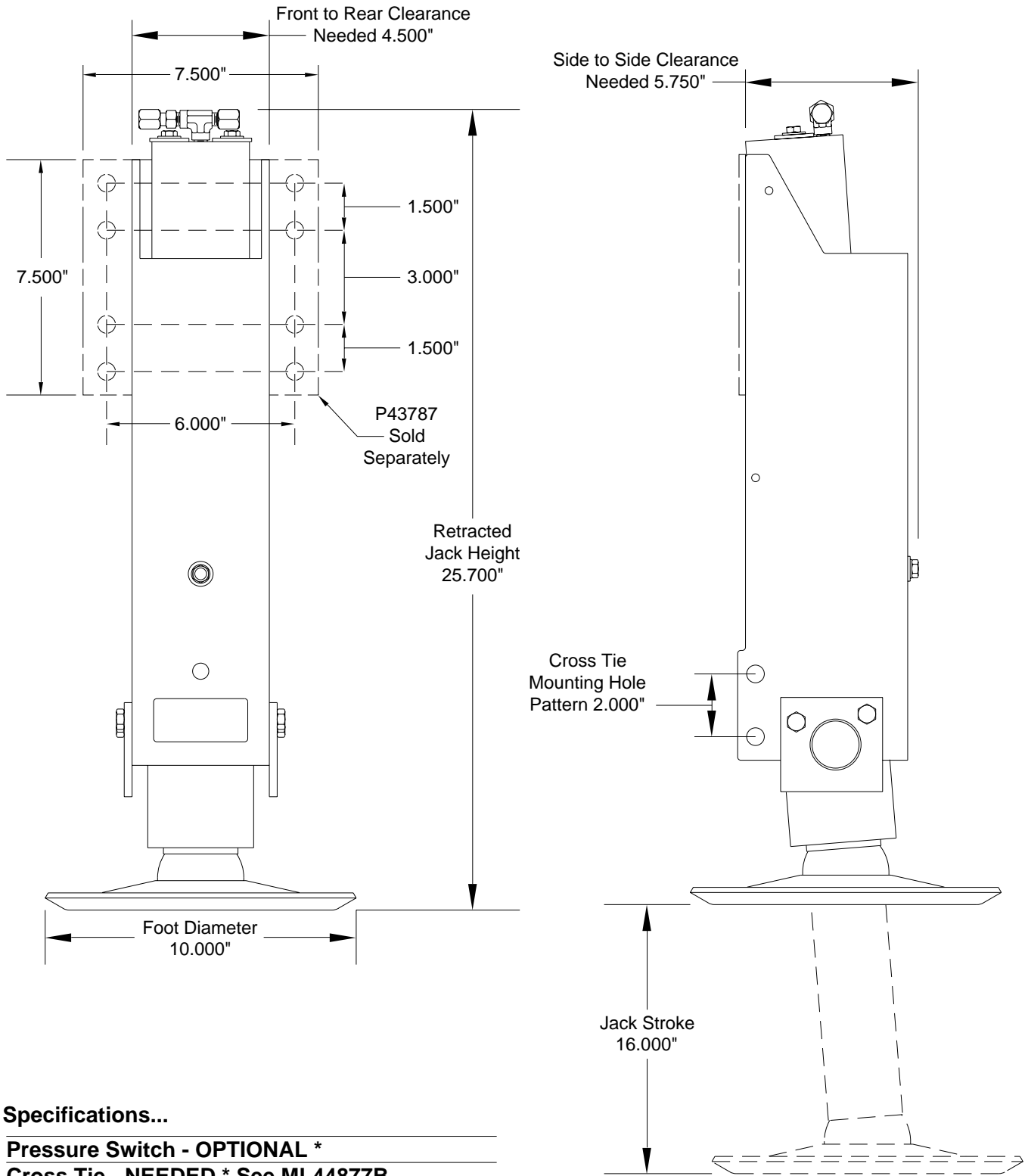
* Available from HWH Corporation



Pressure switch sold separately, needed for auto level systems only.

Specifications & Features

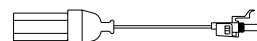
HWH®: Straight-Acting/Pivoting, Power-Extend/Power-Retract Jack AP44829 - 12,000 lb. Lift Capacity each Jack with a 16" Stroke



Specifications...

| | |
|--|--------|
| Pressure Switch - OPTIONAL * | |
| Cross Tie - NEEDED * See ML44877B | |
| Bolt To Frame Brackets - OPTIONAL * | |
| WEIGHTS (lbs.) | |
| Each Jack Assembly | XX |
| LOAD PER JACK (lbs.) | 12,000 |

* Available from HWH Corporation



Pressure switch sold separately, needed for auto level systems only.