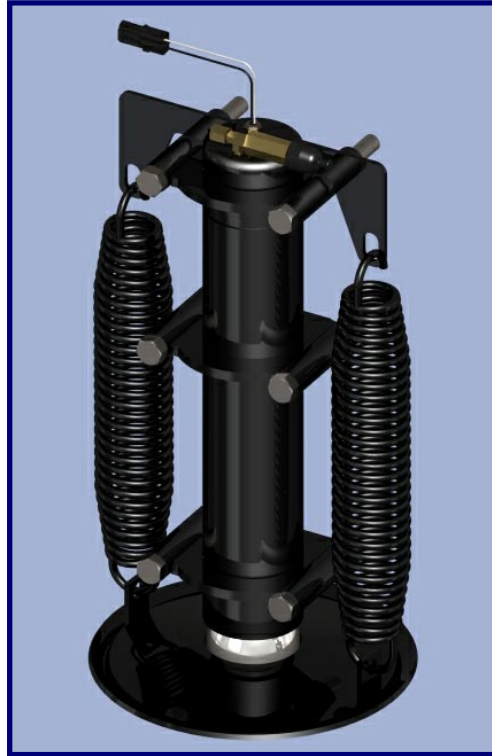


# **HWH<sup>®</sup> Straight-Acting, Power-Extend/Spring-Retract**

**AP45692 16,000 lbs. each jack with a 13" stroke**

*Lighter weight and more compact.*



### **Includes the following features...**

- Strong, hydraulic straight-acting, power-down/spring-retract jacks with a 13" stroke.
- Jack lifting capacity is 16,000 pounds per jack.
- Bolt around brackets for easy installation.
- State-of-the-art corrosion protected hydraulic cylinders designed for long life.
- Jack is lighter weight and more compact than our current models.
- Large pivoting ball and socket jack foot connection reduces bending stresses to rods and maximizes foot-to-ground contact and stability.

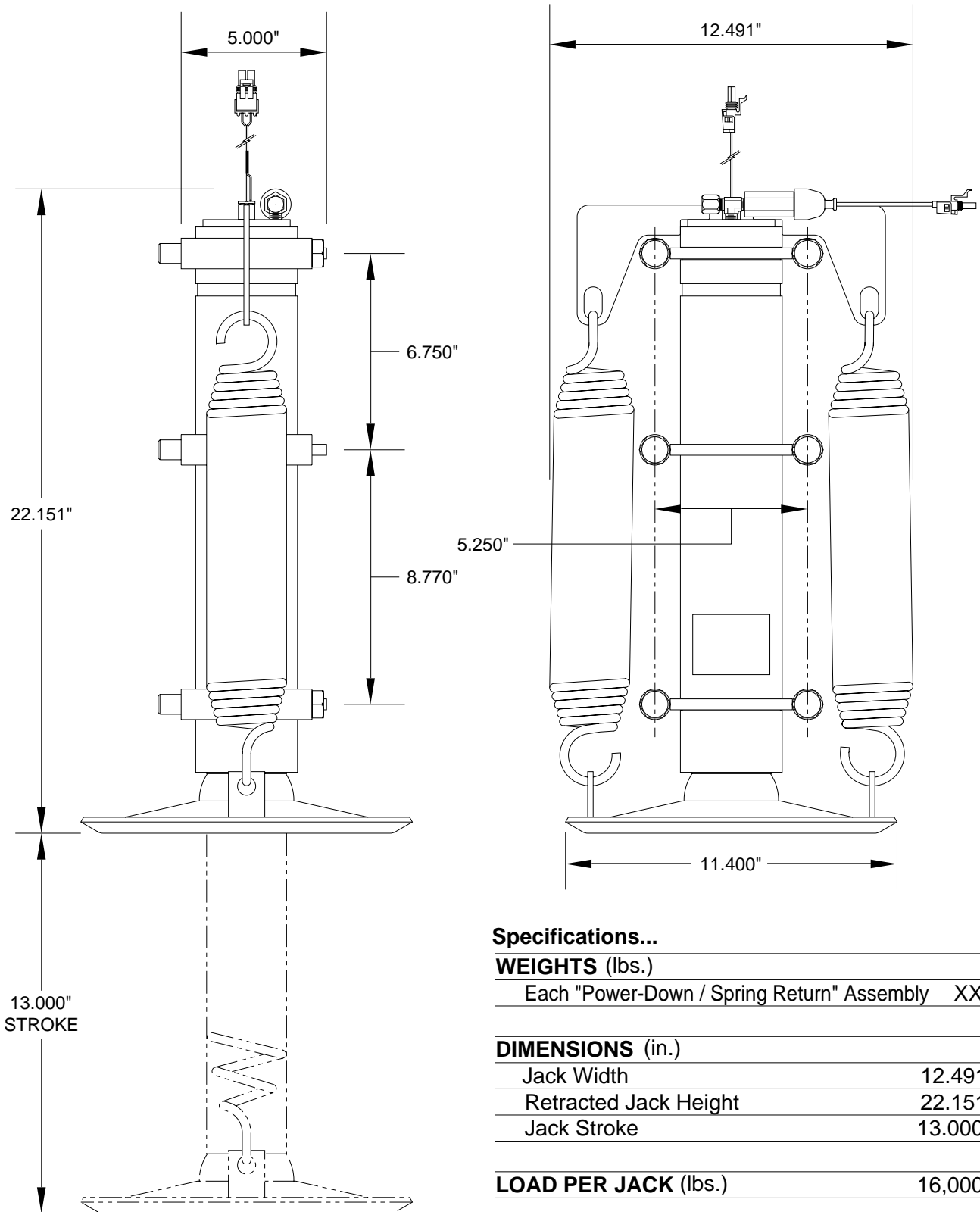


(On I-80, Exit 267 South) | 2096 Moscow Road | Moscow, Iowa 52760  
Phone: (800)321-3494 or (563)724-3396 | Fax: (563)724-3408 | Web: [www.HWH.com](http://www.HWH.com)  
*Made in the USA*

**STRONG, RELIABLE, HYDRAULIC POWER**

# Specifications & Features

## HWH®: Straight-Acting, Power-Extend/Spring-Retract AP45692 - 16,000 lb. Jack with a 13" Stroke



**Specifications...**

<b>WEIGHTS (lbs.)</b>	
Each "Power-Down / Spring Return" Assembly	XX

<b>DIMENSIONS (in.)</b>	
Jack Width	12.491
Retracted Jack Height	22.151
Jack Stroke	13.000

<b>LOAD PER JACK (lbs.)</b>	<b>16,000</b>
-----------------------------	---------------

**PRIMARY APPLICATIONS**

Motorized Vehicles