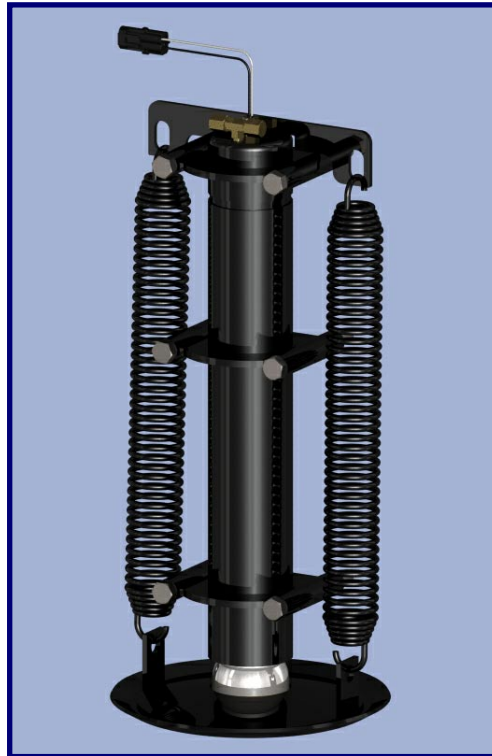


HWH® Straight-Acting, Power-Extend/Spring-Retract Jack

AP46748 12,000 lb. lift capacity each jack with a 13" stroke

Lighter weight and more compact.



Includes the following features...

- Strong, hydraulic straight-acting, power-extend/spring-retract jacks with a 13" stroke.
- Jack lifting capacity is 9,000 pounds per jack.
- Bolt around brackets for easy installation.
- State-of-the-art corrosion protected hydraulic cylinders designed for long life.
- Jack is lighter weight and more compact than our current models.
- Large pivoting ball and socket jack foot connection reduces bending stresses to rods and maximizes foot-to-ground contact and stability.

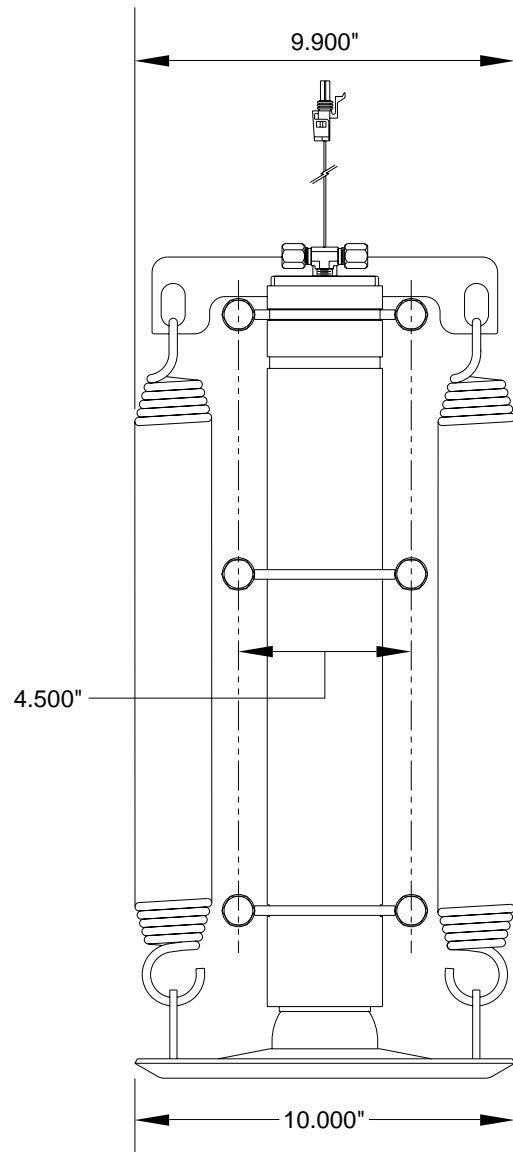
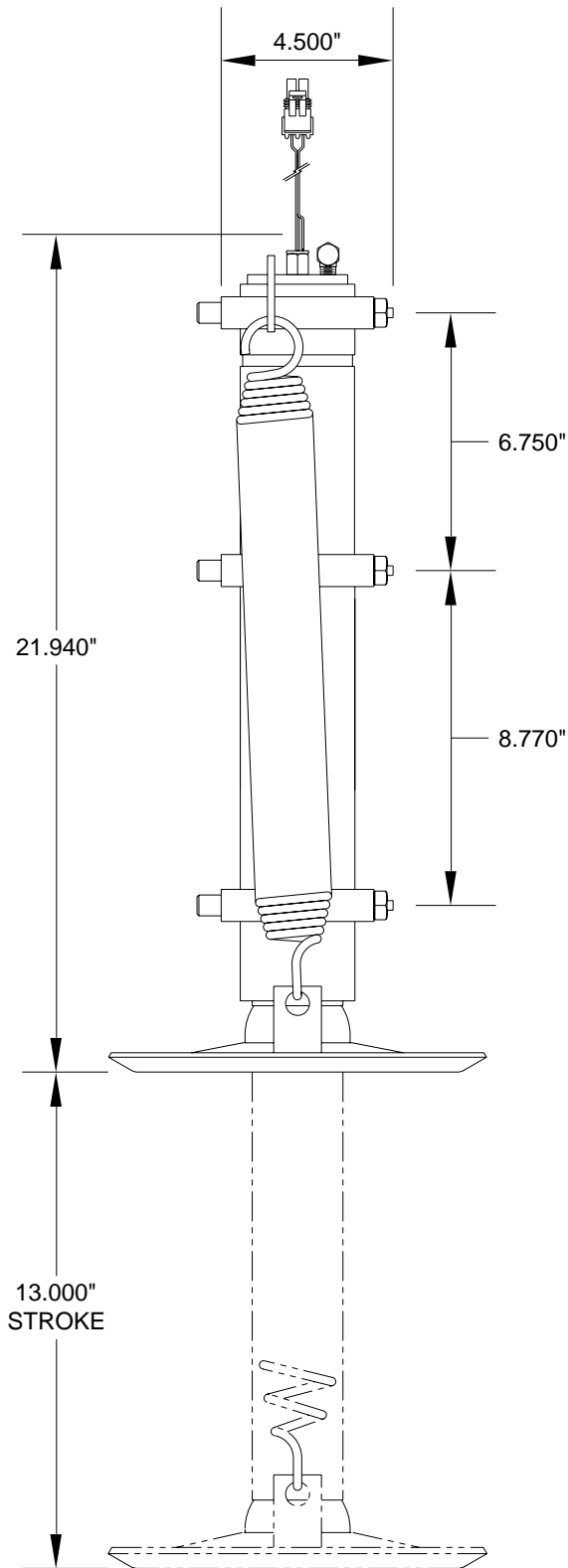


(On I-80, Exit 267 South) | 2096 Moscow Road | Moscow, Iowa 52760
Phone: (800)321-3494 or (563)724-3396 | Fax: (563)724-3408 | Web: www.HWH.com

Made in the USA

STRONG, RELIABLE, HYDRAULIC POWER

Specifications & Features
HWH®: Straight-Acting, Power-Extend/Spring-Retract
AP46748 - 12,000 lb. lift capacity each jack with a 13" stroke



Specifications...

WEIGHTS (lbs.)

Each "Power-Down / Spring Return" Assembly XX

DIMENSIONS (in.)

Jack Width	9.90
Retracted Jack Height	21.950
Jack Stroke	13.000

LOAD PER JACK (lbs.)	12,000
-----------------------------	---------------

PRIMARY APPLICATIONS

Motorized Vehicles