



INSTALLATION INSTRUCTIONS

SPRINTER CHASSIS 6 Cylinder Diesel

FEATURING:

Pump Bracket Installation

Front Jack Installation

Rear Jack Installation

Crosstie Installation

HWH CORPORATION

(On I-80, Exit 267 South)

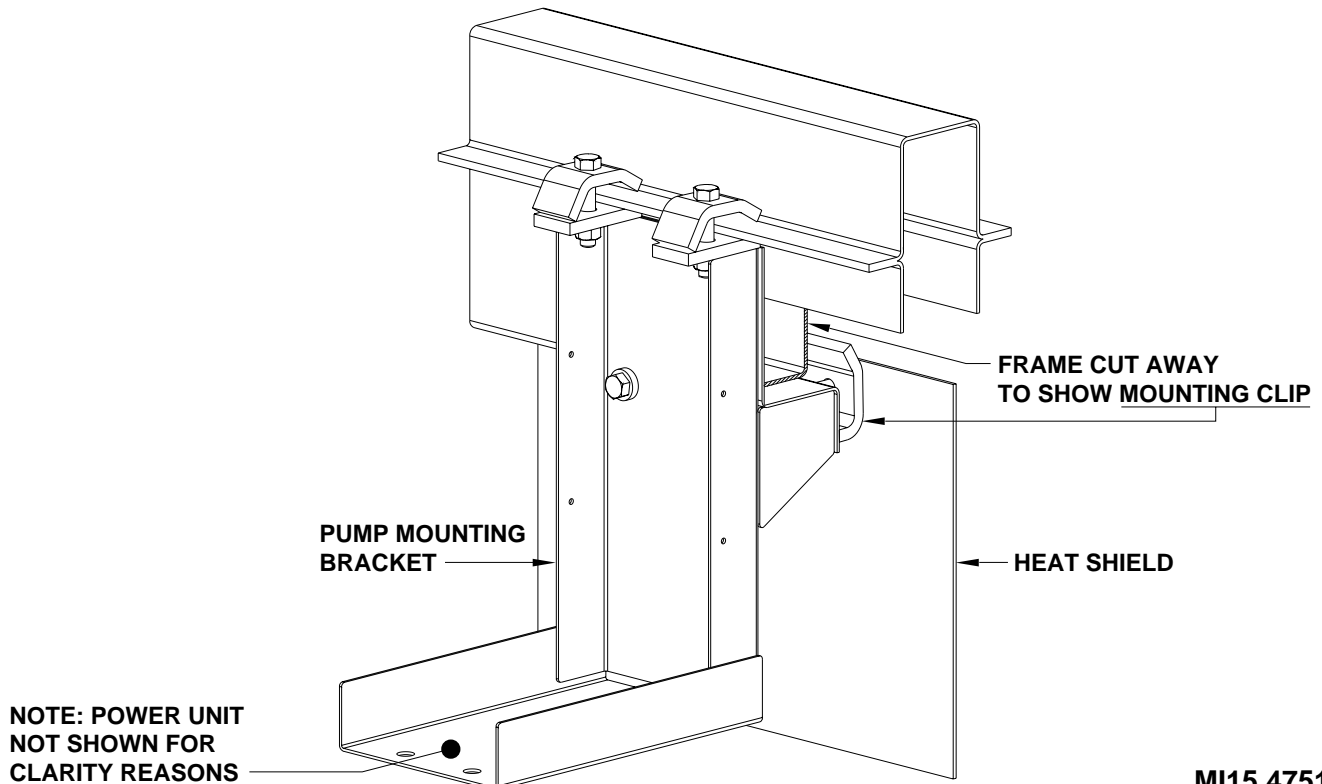
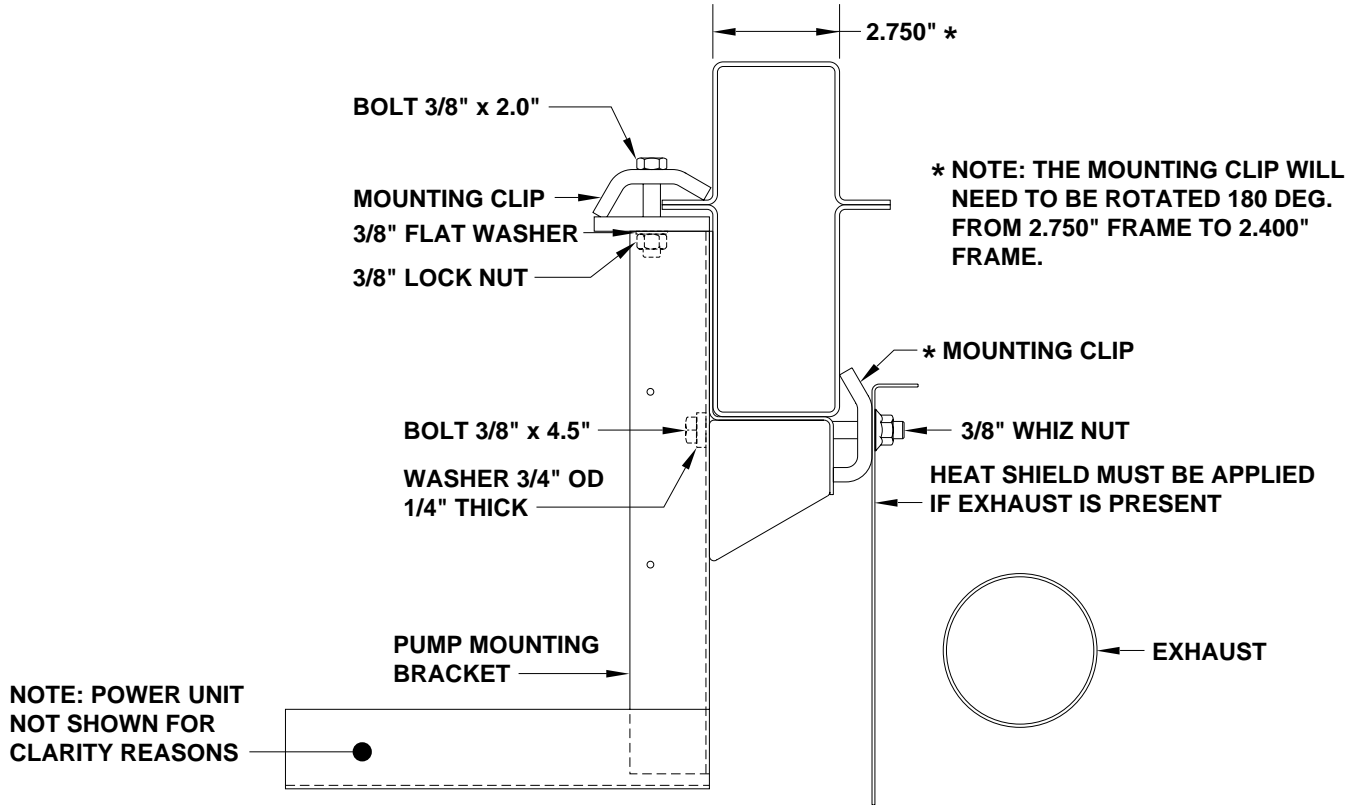
2096 Moscow Road | Moscow, Iowa 52760

Ph: 800/321-3494 (or) 563/724-3396 | Fax: 563/724-3408

www.hwh.com

PUMP MOUNTING - SPRINTER CHASSIS INSTRUCTION SHEET

AP53008 POWER UNIT AND MOUNTING BRACKET KIT INCLUDES:
POWER UNIT, AP52940 PUMP MOUNTING BRACKET AND INDICATED HARDWARE ITEMS



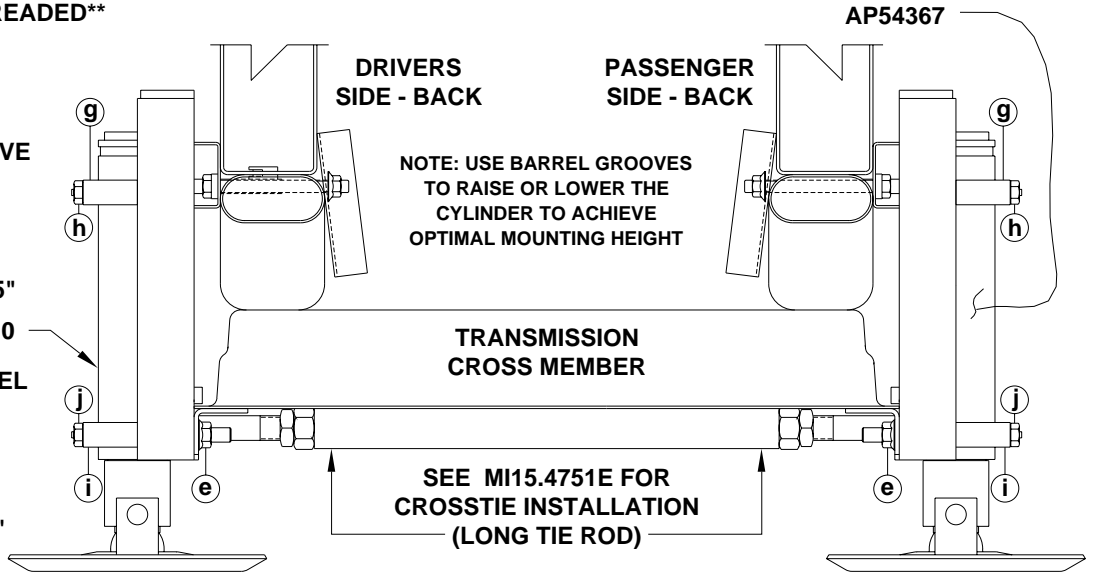
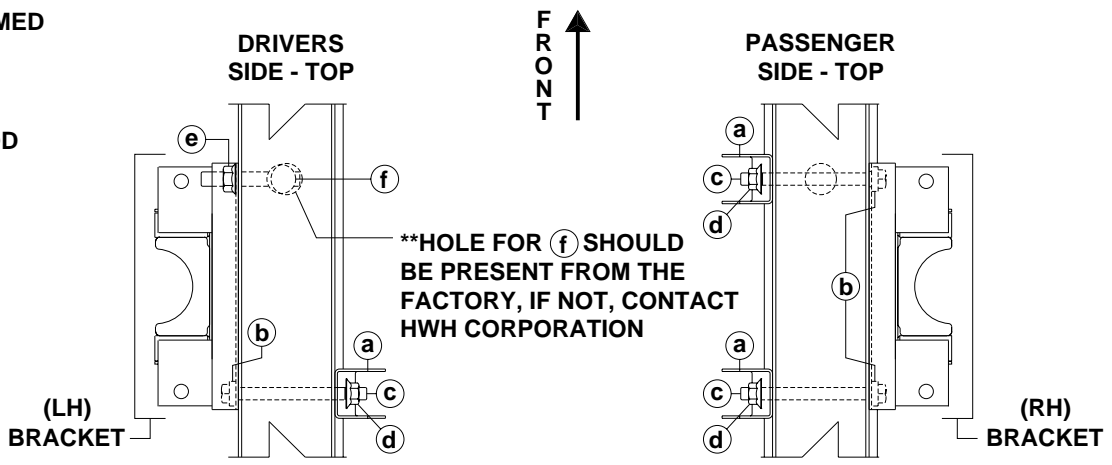
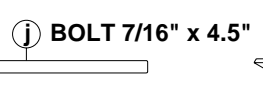
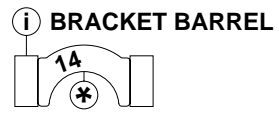
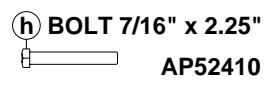
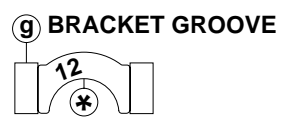
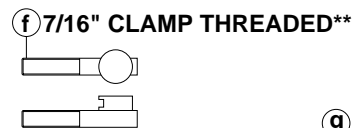
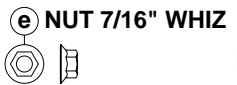
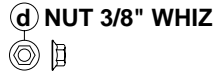
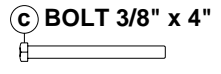
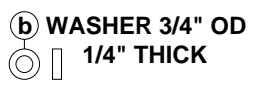
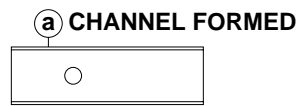
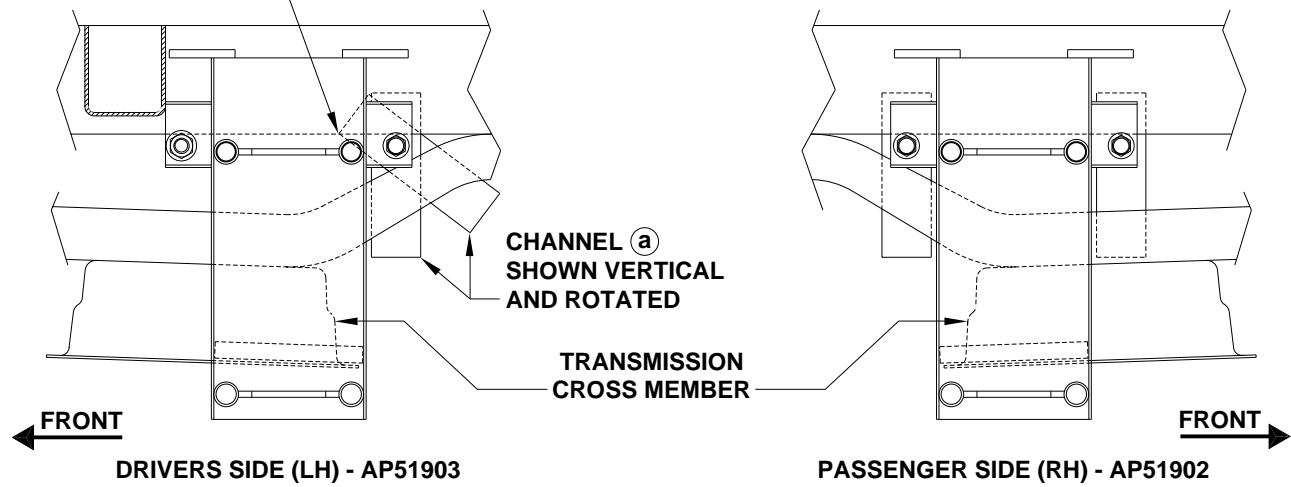
FRONT JACKS MOUNTING - SPRINTER CHASSIS

INSTRUCTION SHEET

AP51904 KIT

CHANNEL (a) MAY NEED TO BE ROTATED, DO NOT ALLOW CORNER TO DROP BELOW FRAME RAIL

MOUNTING BRACKETS SHOULD BE AS FAR FORWARD AS POSSIBLE AND STRAIGHT ACROSS FROM EACH OTHER. BRACKETS ARE RIGHT AND LEFT HAND SPECIFIC. THE SUPPORT BAR ON THE BACK OF EACH BRACKET SHOULD REST ON AND RUN PARALLEL TO THE LIP OF AND THE TRANSMISSION CROSS MEMBER.

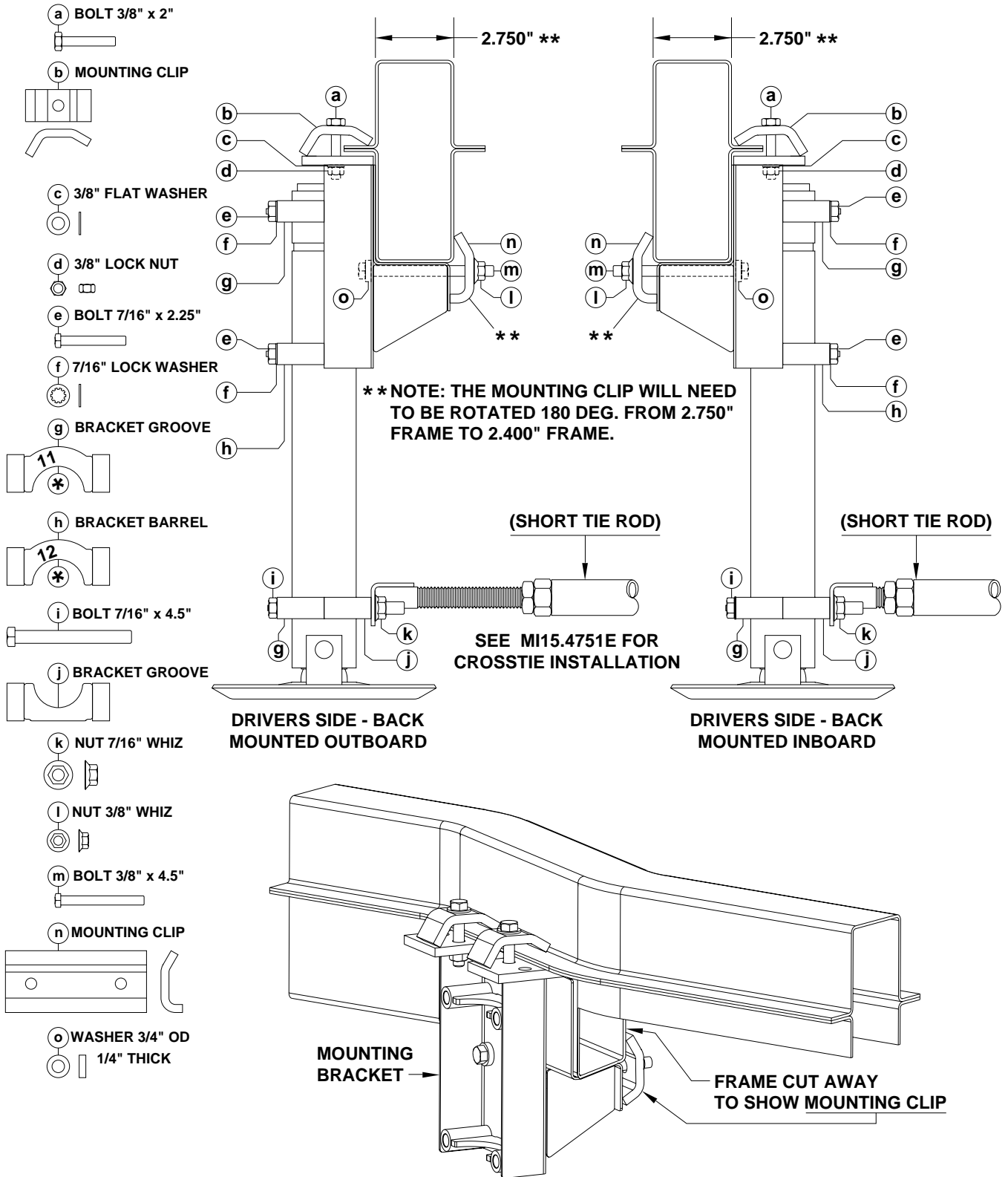


* BRACKETS ARE DIAMETER SPECIFIC. THE SMALLER DIAMETER MUST BE USED IN A GROOVE. THE LARGER DIAMETER MUST BE USED AROUND THE BARREL. M15.4751C
14MAR17

REAR JACKS MOUNTING - SPRINTER CHASSIS

INSTRUCTION SHEET

AP52759 KIT



BRACKETS MUST BE MOUNTED BOTH OUTBOARD OR BOTH INBOARD OF THE FRAME. BRACKETS CAN BE LOCATED JUST BEFORE, WITHIN THE SPACE OF (AS SEEN ABOVE) OR JUST AFTER THE FRAME BEND.

*** BRACKETS ARE DIAMETER SPECIFIC. THE SMALLER DIAMETER MUST BE USED IN A GROOVE. THE LARGER DIAMETER MUST BE USED AROUND THE BARREL.**

**MI15.4751D
14DEC17**

INSTRUCTION SHEET

INSTALLATION OF CROSSTIES

SPRINTER FRONT AND REAR

FOR BOTH FRONT AND REAR CROSSTIE ASSEMBLIES

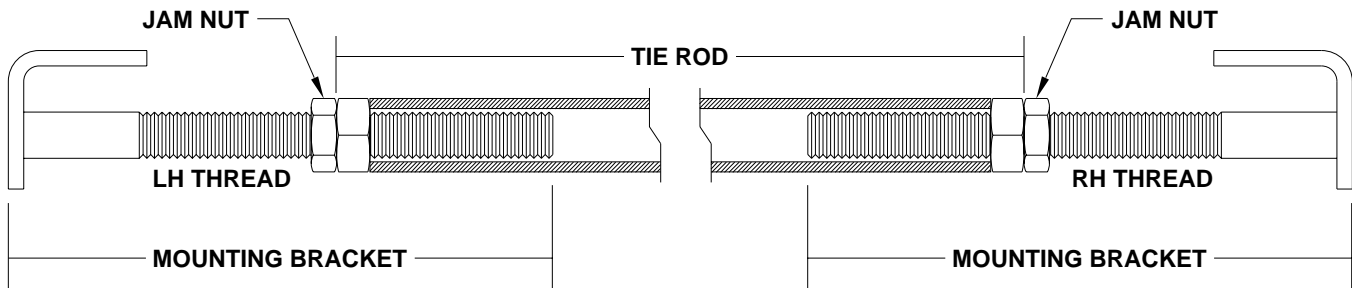
NOTE: All jacks should be fully mounted and tightened into place prior to mounting either crosstie.

If not assembled, thread a jam nut onto each threaded mounting bracket, one nut should thread on clockwise, the other counter clockwise. Thread a mounting bracket into each end of a tie rod, one end of the tie rod is right hand thread the other is left. Use an equal number of turns for each mounting bracket.

CROSSTIE INSTALLATION

By hand turn the tie rod until each crosstie can be mounted loosely to each pair of jacks. Turn the tie rods by hand extending the crossties until wedged between the jacks just enough to support them when released. Tighten the bolts securing the crossties to the jacks.

NOTE: CROSSTIE/BRACKETS MAY DIFFER.



IMPORTANT: THE FOLLOWING CROSSTIE TIGHTENING INSTRUCTIONS MUST BE FOLLOWED TO ENSURE PROPER INSTALLATION.

FOR JACKS MOUNTED OUTSIDE OF THE FRAME (Front and Rear Jacks)

The tie rod should be turned by hand **SHORTENING** the crosstie until snug. Use a wrench to **SHORTEN** the crosstie an additional 1/3 of a turn for the front jacks, 1/2 a turn for the rear jacks prior to tightening the jam nuts.

FOR JACKS MOUNTED INSIDE OF THE FRAME (Rear Jacks Only)

The tie rod should be turned by hand **LENGTHENING** the crosstie until snug. Use a wrench to **LENGTHEN** the crosstie 1/2 of a turn prior to tightening the jam nuts.